

Milwaukee®

Nothing but **HEAVY DUTY**.®



M18 FPFT

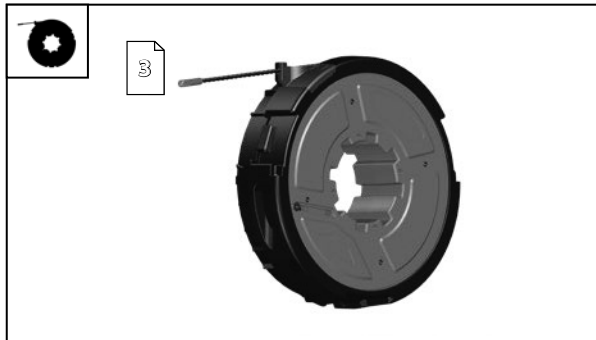
Original instructions
Originalbetriebsanleitung
Notice originale
Istruzioni originali
Manual original
Manual original
Oorspronkelijke
gebruiksaanwijzing
Original brugsanvisning
Original bruksanvisning
Bruksanvisning i original

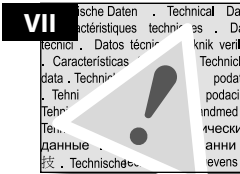
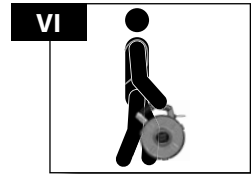
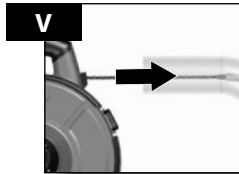
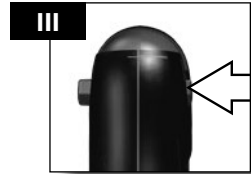
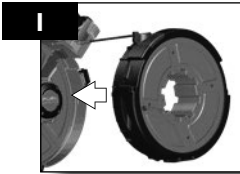
Alkuperäiset ohjeet
Πρωτότυπο οδηγίων χρήσης
Orijinal işletme talimatı
Původním návodem k používání
Původný návod na použití
Instrukcją oryginalną
Eredeti használati utasítás
Izvirna navodila
Originalne pogonske upute
Instrukcijām oriģinālvalodā
Originalni instrukcija

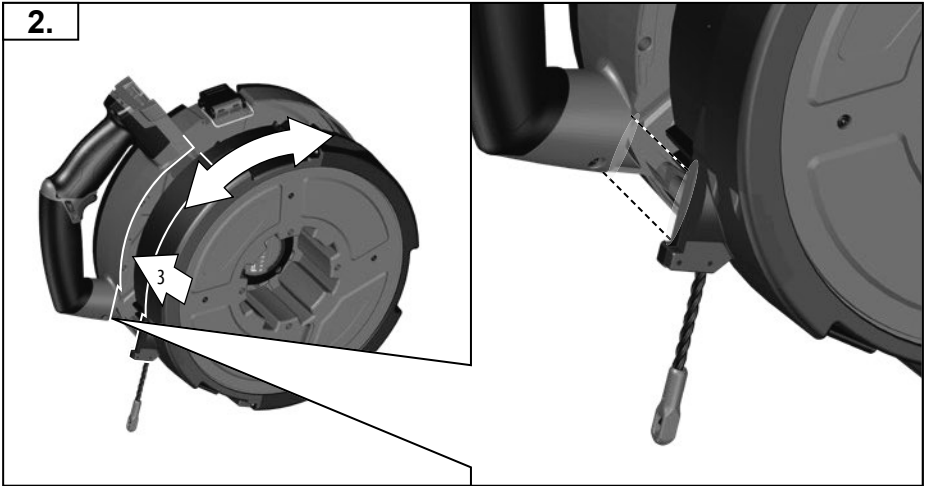
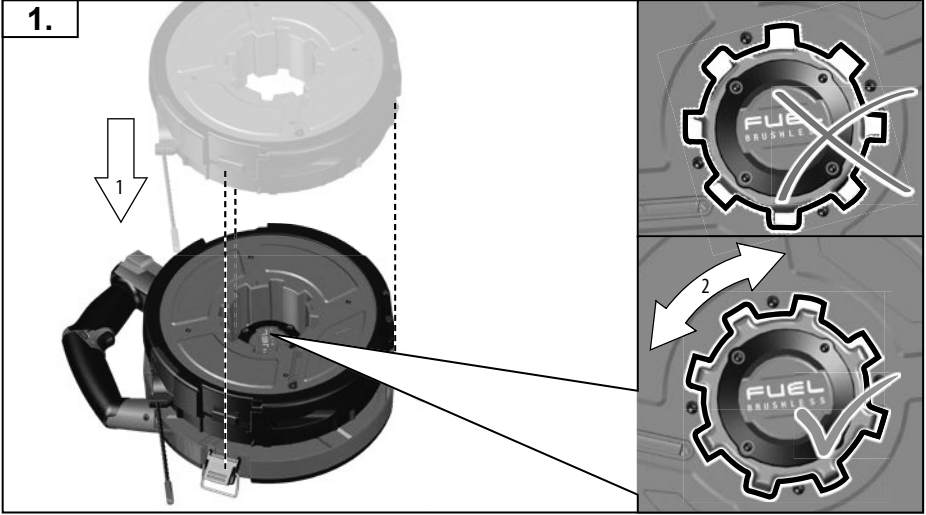
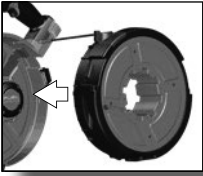
Algupärane kasutusjuhend
Оригинальное руководство
по эксплуатации
Оригинално ръководство за
експлоатация
Instrucțiuni de folosire originale
Оригинален прирачник за
работа
Оригінал інструкції з
експлуатації
التعليمات الأصلية

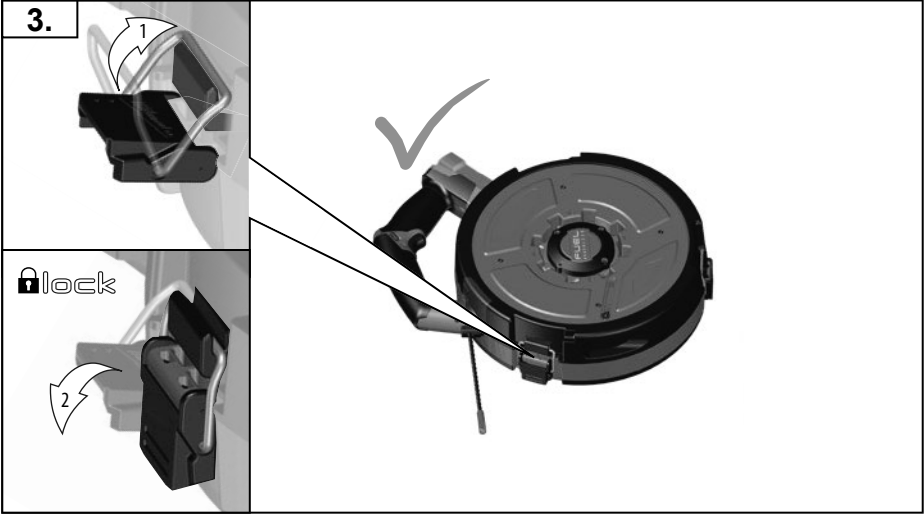
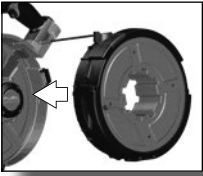
Technical Data, Safety Instructions, Specified Conditions of Use, Declaration of Conformity, Batteries, Maintenance, Symbols	Please read and save these instructions!	English	12
Technische Daten, Sicherheitshinweise, Bestimmungsgemäße Verwendung, CE-Konformitätserklärung, Akku, Wartung, Symbole	Bitte lesen und aufbewahren!	Deutsch	16
Caractéristiques techniques, Instructions de sécurité, Utilisation conforme aux prescriptions, Déclaration CE de Conformité, Accus, Entretien, Symboles	A lire et à conserver soigneusement	Français	20
Dati tecnici, Norme di sicurezza, Utilizzo conforme, Dichiarazione di Conformità CE, Batterie, Manutenzione, Simboli	Si prega di leggere e conservare le istruzioni!	Italiano	24
Datos técnicos, Instrucciones de seguridad, Aplicación de acuerdo a la finalidad, Declaración de Conformidad CE, Batería, Mantenimiento, Símbolos	Lea y conserve estas instrucciones por favor!	Español	28
Características técnicas, Instruções de segurança, Utilização autorizada, Declaração de Conformidade CE, Acumulador, Manutenção, Símbolo	Por favor leia e conserve em seu poder!	Português	32
Technische gegevens, Veiligheidsadviezen, Voorgeschreven gebruik van het systeem, EC-Konformiteitsverklaring, Akku, Onderhoud, Symbolen	Lees en let goed op deze adviezen!	Nederlands	36
Tekniske data, Sikkerhedshenvisninger, Tiltænkent formål, CE-Konformitetserklæring, Batteri, Vedligeholdelse, Symboler	Vær venlig at læse og opbevare!	Dansk	40
Tekniske data, Spesielle sikkerhetshenvisninger, Formålsmessig bruk, CE-Samsvarserklæring, Batterier, Vedlikehold, Symboler	Vennligst les og oppbevar!	Norsk	44
Tekniska data, Säkerhetsutrustning, Använd maskinen Enligt anvisningarna, CEFörsäkran, Batterier, Skötsel, Symboler	Läs igenom och spara!	Svenska	48
Tekniset arvot, Turvallisuusohjeet, Tarkoituksenmukainen käyttö, Todistus CE-standardinmukaisuudesta, Akku, Huolto, Symbolit	Lue ja säilytä!	Suomi	52
Τεχνικά στοιχεία, Ειδικές υποδείξεις ασφαλείας, Χρήση σύμφωνα με το σκοπό προοριμού, Δήλωση πιστότητας ΕΚ, Μπαταρίες, Συντήρηση, Σύμβολα.	Παρακαλούμε να τις διαβάσετε και να τις φυλάξετε!	Ελληνικά	56
Teknik veriler, Güvenliğiniz için talimatlar, Kullanım, CE uygunluk beyanice, Akü, Bakım, Semboller	Lütfen okuyun ve saklayın	Türkçe	60
Technická data, Speciální bezpečnostní upozornění, Oblast využití, Ce-prohlášení o shodě, Akumulátory, Údržba, Symboly	Po přečtení uschovejte	Česky	64
Technické údaje, Špeciálne bezpečnostné pokyny, Použitie podľa predpisov, CE-Vyhľadanie konformity, Akumulátory, Údržba, Symboly	Prosím prečítať a uschovať!	Slovensky	68
Dane techniczne, Specjalne zalecenia dotyczące bezpieczeństwa, Użytkowanie zgodne z przeznaczeniem, Świadcтво zgodności ce, Baterie Akumulatorowe, Utrzymanie, Symbole	Należy uważnie przeczytać i zachować do wglądu!	Polski	72
Műszaki adatok, Különleges biztonsági tudnivalók, Rendeltetésszerű használat, A-azonossági nyilatkozat, Akuk, Karbantartás, Szimbólumok	Olvassa el és őrizze meg	Magyar	76
Tehnični podatki, Specialni varnostni napotki, Uporaba v skladu z namembnostjo, Ce-izjava o konformnosti, Akumulatorji, Vzdrževanje, Simboli	Prosimo preberite in shranite!	Slovenščina	80
Tehnički podaci, Specijalne sigurnosne upute, Propisna upotreba, CE-Izjava konformnosti, Baterije, Održavanje, Simboli	Molimo pročitati i sačuvati	Hrvatski	84
Tehniskie dati, Speciālie drošības noteikumi, Noteikumiem atbilstošs izmantojums, Atbilstība CE normām, Akumulātori, Apkope, Simboli	Lūdzu, izlasīt un uzglabāt!	Latviski	88
Techniniai duomenys, Ypatingos saugumo nuorodos, Naudojimas pagal paskirti, CE Atitikties pareiškimas, Akumulatoriai, Techninis aptarnavimas, Simboliai	Prašome perskaityti ir neišmesti!	Lietuviškai	92
Tehnilised andmed, Spetsiaalsed turvajuhised, Kasutamise vastavalt otstarbele, EÜ Vastavusavaldus, Akud, Hooldus, Sümbolid	Palun lugege läbi ja hoidke alati!	Eesti	96
Технические данные, Указания по безопасности, Использование, Декларация о соответствии стандартам ЕС, Аккумулятор, Обслуживание, Символы	Пожалуйста прочтите и сохраните эту инструкцию.	Русский	100
Технически данни, Специални указания за безопасност, Използване по предназначение, CE - Декларация за съответствие, Аккумулятори, Поддръжка, Символи	Моля прочетете и запазете!	Български	104
Date tehnice, Instrucțiuni de securitate, Condiții de utilizare specificate, Declarație de conformitate, Acumulatori, Întreținere, Simboluri	Va rugăm citiți și păstrați aceste instrucțiuni	Română	108
Технички податоци, Упатства за употреба, Специфицирани услови на употреба, EU- декларација за Сообразност, Батерии, Одржување, Символи	Ве молиме прочитајте го и чувајте го ова упатство!	Македонски	112
Технічні характеристики, Вказівки з Техніки Безпеки, Використання за призначенням, Сертифікат Відповідності Вимогам ЄС, Акумуляторні батареї, Обслуговування, Символи	Прочитайте та збережіть цю інструкцію.	Українська	116
البيانات الفنية، تعليمات السلامة، شروط الاستخدام المحددة، البطاريات، إعلان المطابقة - الاتحاد الأوروبي، الصيانة، الرموز	يرجى قراءة وحفظ هذه التعليمات!	العربية	123

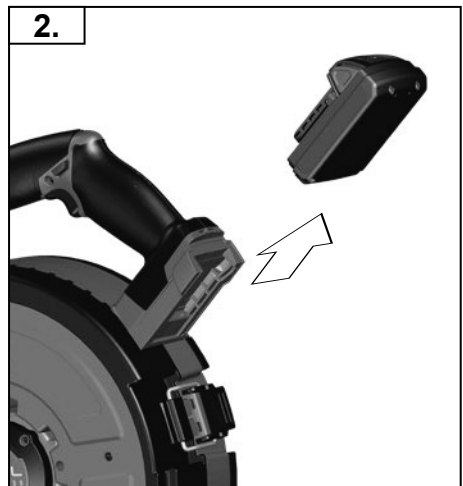
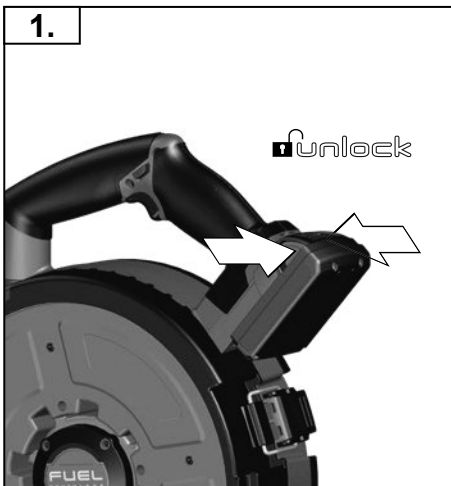
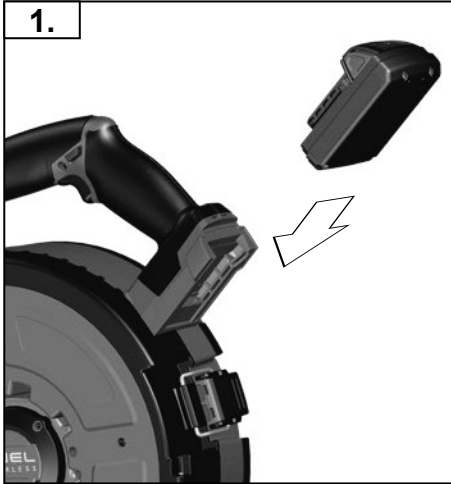


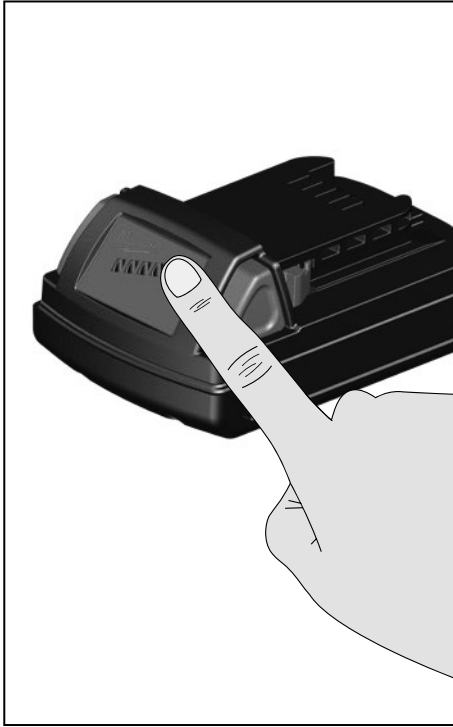




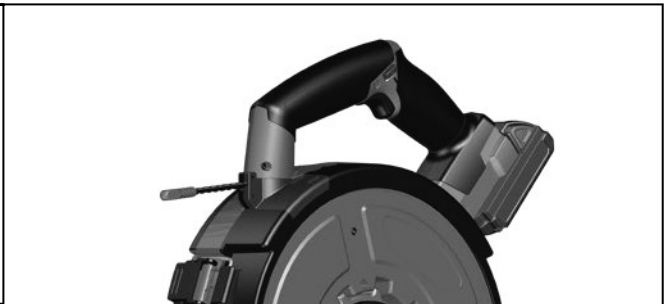
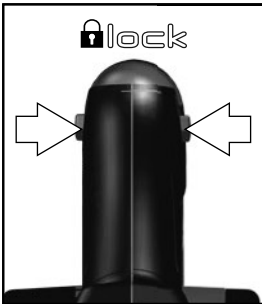
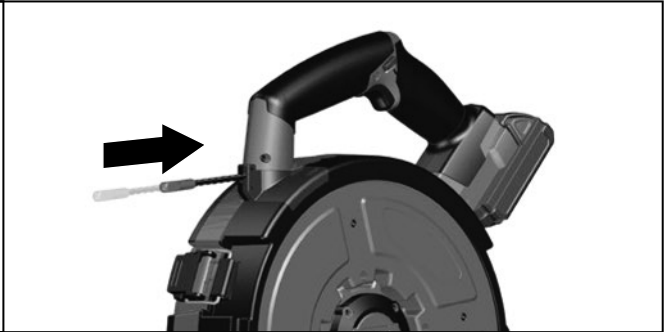
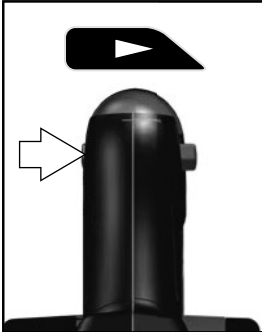
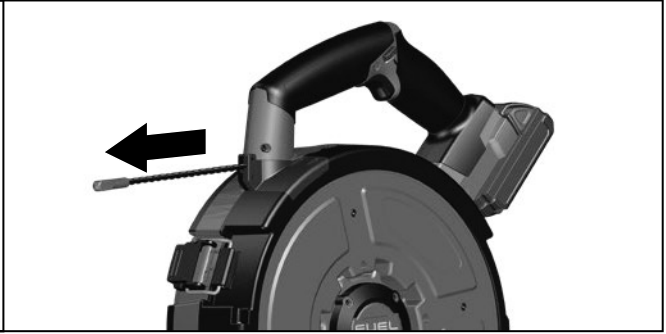
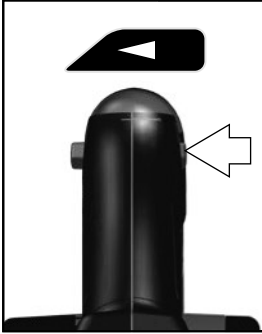
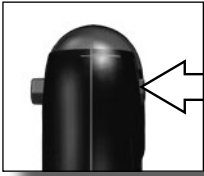


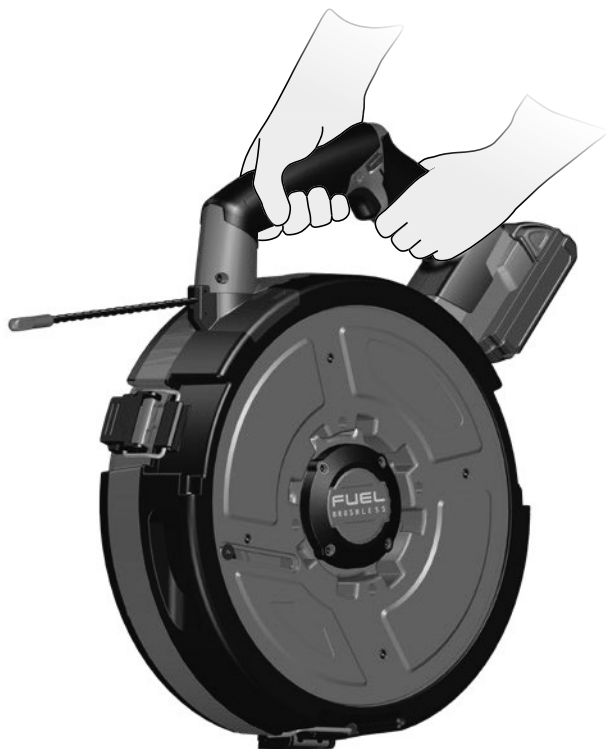






78-100 %			
55-77 %			
33-54 %			
10-32 %			
<10 %			





Insulated gripping surface

Isolierte Grifffläche
Surface de prise isolée
Superficie di presa isolata
Superficie de agarre con aislamiento
Superficie de pega isolada
Geïsoleerde handgrepen
Isolerede gripeflader
Isolert gripeflate
Isolerad greppyta

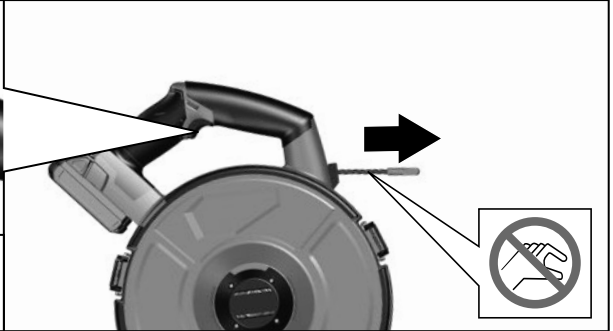
Eristetty tarttumapinta
Μονωμένη επιφάνεια λαβής
İzolasyonlu tutma yüzeyi
Izolovaná uchopovací plocha
Izolovaná úchopná plocha
Izolowana powierzchnia uchwytu
Szigetelt fogófelület
Izolirana prijemalna površina
Izolirana površina za držanje
Izolēta satveršanas virsma

Izoliuotas rankenos paviršius
Isoleeritud pideme piirkond
Изолированная поверхность ручки
Изолирана повърхност за хващане
Suprafață de prindere izolată
Изолирана површина на дршката
Изольована поверхня ручки
مساحة المقبض معزولة

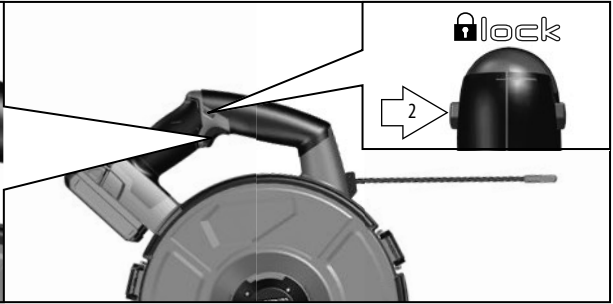


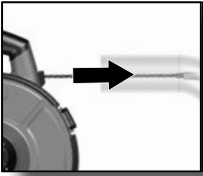
**START
STOP**

Start

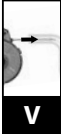
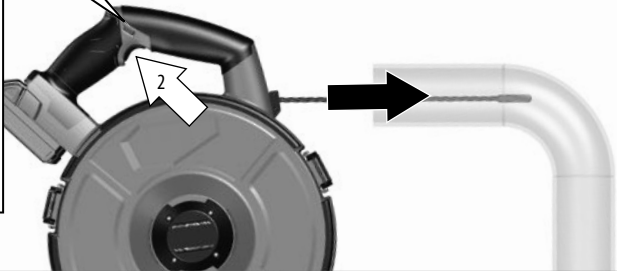
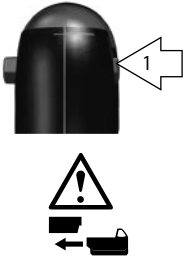


Stop

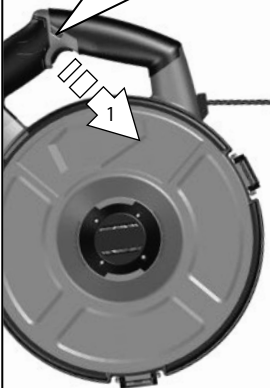




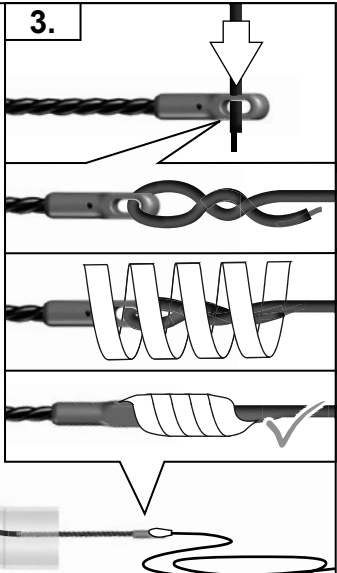
1. Start

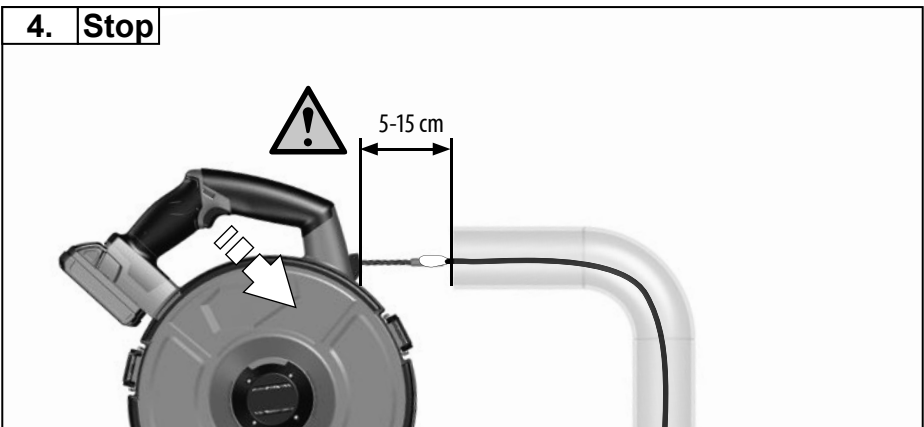
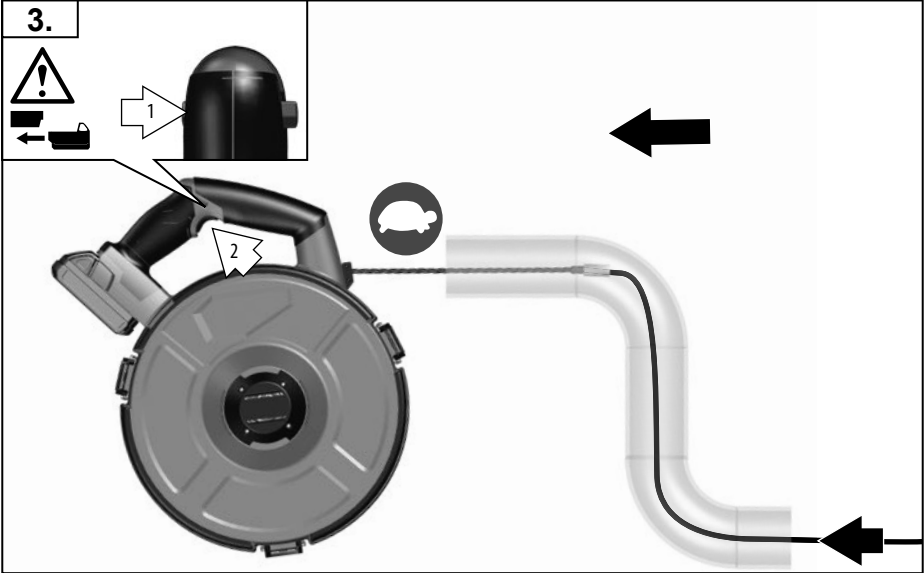
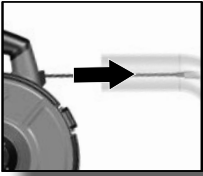


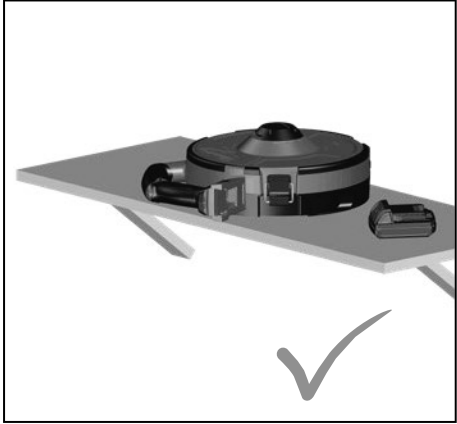
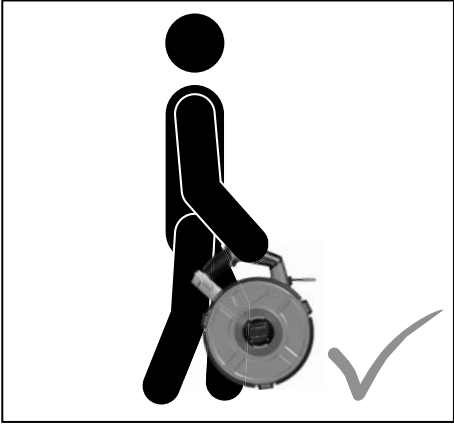
2.



3.







TECHNICAL DATA	M18 FPFT	
Fish Tape		
Production code	4749 40 01... ... 000001-999999	
Battery voltage	18 V	
No-load speed	0 - 37 min ⁻¹	
Steel fish drum tape length	37 m	73 m
Steel fish drum tape width	3 mm	
Weight according EPTA-Procedure 01/2014 (Li-Ion 2,0 Ah...12,0 Ah)	7,13...8,19 kg	8,43...9,49 kg
Non-Conductive Drum tape length	30 m	61 m
Weight according EPTA-Procedure 01/2014 (Li-Ion 2,0 Ah...12,0 Ah) (Non-Conductive)	6,43...7,49 kg	7,03...8,09 kg
Recommended Ambient Operating Temperature	-18°C ... +50°C	
Recommended battery types	M18...	
Recommended charger	M12-18...	
Noise information	Measured values determined according to EN 62841. Typically, the A-weighted noise levels of the tool are:	
Sound pressure level (Uncertainty K=3dB(A))	71,45 dB (A)	
Sound power level (Uncertainty K=3dB(A))	82,45 dB (A)	
Wear ear protectors!		
Vibration information	Vibration total values (triaxial vector sum) determined according to EN 62841	
Vibration emission value a _h	0,64 m/s ²	
Uncertainty K=	1,5 m/s ²	



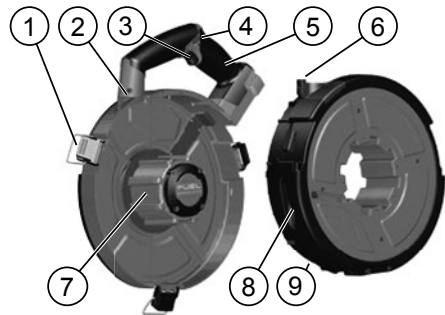
WARNING

The vibration and noise emission level given in this information sheet has been measured in accordance with a standardized test given in EN 62841 and may be used to compare one tool with another. It may be used for a preliminary assessment of exposure. The declared vibration and noise emission level represents the main applications of the tool. However if the tool is used for different applications, with different accessories or poorly maintained, the vibration and noise emission may differ. This may significantly increase the exposure level over the total working period.

An estimation of the level of exposure to vibration and noise should also take into account the times when the tool is switched off or when it is running but not actually doing the job. This may significantly reduce the exposure level over the total working period. Identify additional safety measures to protect the operator from the effects of vibration and/or noise such as: maintain the tool and the accessories, keep the hands warm, organization of work patterns.

Wear ear protectors. Exposure to noise can cause hearing loss.

⚠ WARNING! Read all safety warnings, instructions, illustrations and specifications provided with this power tool. Failure to follow all instructions listed below may result in electric shock, fire and/or serious injury. **Save all warnings and instructions for future reference.**



Device description

- ① Latches
- ② Nozzle notch
- ③ Trigger
- ④ Control switch
- ⑤ Handle
- ⑥ Nozzle
- ⑦ Hub
- ⑧ Drum grips
- ⑨ Drum

SAFETY WARNINGS FOR FISH TAPE

Do not use on or near live circuits When working near electrical equipment, use extreme caution. When pulling through conduit which contains any other wires, be certain that power to those wires has been turned off or disconnected.

Maintain proper footing and balance when performing pulling operations. Do not pull from a ladder. If a snag or resistance is encountered, a ladder could become unstable which may result in a loss of balance or control.

Always use common sense and be cautious when using tools. It is not possible to anticipate every situation that could result in a dangerous outcome. Do not use this tool if you do not understand these operating instructions or you feel the work is beyond your capability; contact Milwaukee Tool or a trained professional for additional information or training.

WARNING! Some dust created by power sanding, sawing, grinding, drilling, and other construction activities contains chemicals known to cause cancer, birth defects or other reproductive harm. Some examples of these chemicals are:

- lead from lead-based paint
- crystalline silica from bricks and cement and other masonry products, and
- arsenic and chromium from chemically-treated lumber.

Your risk from these exposures varies, depending on how often you do this type of work.

To reduce your exposure to these chemicals: work in a well ventilated area, and work with approved safety equipment, such as those dust masks that are specially designed to filter out microscopic particles.

Maintain labels and nameplates. These carry important information. If unreadable or missing, contact a MILWAUKEE service facility for a free replacement.

ADDITIONAL SAFETY AND WORKING INSTRUCTIONS

Use protective equipment. Always wear safety glasses when working with the machine. The use of protective clothing is recommended, such as dust mask, protective gloves, sturdy non-slip footwear, helmet and ear defenders.

The dust produced when using this tool may be harmful to health. Do not inhale the dust. Wear a suitable dust protection mask.

Do not machine any materials that present a danger to health (e.g. asbestos).

Switch the device off immediately if the insertion tool stalls! Do not switch the device on again while the insertion tool is stalled, as doing so could trigger a sudden recoil with a high reactive force. Determine why the insertion tool stalled and rectify this, paying heed to the safety instructions.

Remove the battery pack before starting any work on the appliance.

Do not dispose of used battery packs in the household refuse or by burning them. Milwaukee Distributors offer to retrieve old batteries to protect our environment.

Do not store the battery pack together with metal objects (short circuit risk).

Battery acid may leak from damaged batteries under extreme load or extreme temperatures. In case of contact with battery acid wash it off immediately with soap and water. In case of eye contact rinse thoroughly for at least 10 minutes and immediately seek medical attention.

To reduce the risk of fire, personal injury, and product damage due to a short circuit, never immerse your tool, battery pack or charger in fluid or allow a fluid to flow inside them. Corrosive or conductive

fluids, such as seawater, certain industrial chemicals, and bleach or bleach containing products, etc., can cause a short circuit.

Use only System M18 chargers for charging System M18 battery packs. Do not use battery packs from other systems.

Never break open battery packs and chargers and store only in dry rooms. Keep dry at all times.

SPECIFIED CONDITIONS OF USE

The fish tape is an ideal tool to be used to route wiring through walls and electrical conduit.

BATTERIES

Battery packs which have not been used for some time should be recharged before use.

Temperatures in excess of 50°C (122°F) reduce the performance of the battery pack. Avoid extended exposure to heat or sunshine (risk of overheating).

The contacts of chargers and battery packs must be kept clean.

For an optimum life-time, the battery packs have to be fully charged, after use.

To obtain the longest possible battery life remove the battery pack from the charger once it is fully charged.

For battery pack storage longer than 30 days: Store the battery pack where the temperature is below 27°C and away from moisture. Store the battery packs in a 30% - 50% charged condition. Every six months of storage, charge the pack as normal.

TRANSPORTING LITHIUM BATTERIES

Lithium-ion batteries are subject to the Dangerous Goods Legislation requirements.

Transportation of those batteries has to be done in accordance with local, national and international provisions and regulations.

The user can transport the batteries by road without further requirements.

Commercial transport of Lithium-Ion batteries by third parties is subject to Dangerous Goods regulations. Transport preparation and transport are exclusively to be carried out by appropriately trained persons and the process has to be accompanied by corresponding experts.

When transporting batteries:

Ensure that battery contact terminals are protected and insulated to prevent short circuit. Ensure that battery pack is secured against movement within packaging. Do not transport batteries that are cracked or leak. Check with forwarding company for further advice.

BATTERY PACK PROTECTION

In extremely high torque, binding, stalling and short circuit situations that cause high current draw, the tool will vibrate for about 5 seconds, the fuel gauge will flash, and then the tool will turn OFF. To reset, release the trigger.

Under extreme circumstances, the internal temperature of the battery pack could raise too much. If this happens, the fuel gauge will flash until the battery pack cooled down. After the lights go off, the work may continue.

Place the battery on the charger to charge and reset it.

ADDITIONAL HINTS FOR OPERATION

Support fish tape during use.

For normal operation see picture section.

While extending, monitor the fish tape. When nearing full extension, the fish tape will be marked with yellow paint. Once yellow paint is visible, stop extending. Further extension could damage or break the fish tape.



Before pulling wire through, be mindful of your surroundings and potential nearby hazards to yourself and others in the event the tape breaks free during pulling.

NOTE: If the tool binds, release pressure from the trigger immediately. Do not force a pull that has snagged or encountered a point of resistance. Instead, remove the wire and clear the obstruction.

To retract the fish tape, move the control switch to the retract position and pull the trigger. Stop retracting once the fish tape has returned to the starting position. Continuing to retract further could damage or break the drum.

If the tool shuts down during Feed:

- a. Release the trigger.
- b. Push the control switch to the Retract position.
- c. Pull the trigger for 3-4 seconds.
- d. Push the control switch to the Feed position.
- e. Pull the trigger and attempt to feed again.
- f. Repeat the above steps up to 5 times if needed.
- g. If the tool continues to shut down during Feed, the drum must be replaced.

If the non-conductive tape begins retracting into the drum during Feed:

- a. Release the trigger.
- b. Push the control switch to the Retract position.
- c. Grasp the tape just outside the drum using a firm handshake grip.
- d. Pull the trigger while applying tension to the tape with your other hand as the tape pulls back into the drum.
- e. Release the trigger.
- f. Push the control switch to the Feed position.
- g. Pull the trigger and attempt to feed again.
- h. Repeat the above steps up to 5 times if needed.
- i. If the tool continues to retract during Feed, the drum must be replaced.

MAINTENANCE

Remove the battery pack before starting any work on the appliance.

Wash and wipe the exposed cable with a rag. Push the exposed cable back into the drum.

Before storing the drain cleaner, remove the full length of the cable. Coil it loosely and clean.

Use only Milwaukee accessories and Milwaukee spare parts. Should components need to be replaced which have not been described, please contact one of our Milwaukee service agents (see our list of guarantee/service addresses).

If needed, an exploded view of the tool can be ordered. Please state the Article No. as well as the machine type printed on the label and order the drawing at your local service agents or directly at: Techtronic Industries GmbH, Max-Eyth-Straße 10, 71364 Winnenden, Germany.

EC-DECLARATION OF CONFORMITY

We declare under our sole responsibility that the product described under "Technical Data" fulfills all the relevant provisions of the directives:

2011/65/EU (RoHS)

2006/42/EC

2014/30/EU

and the following harmonized standards have been used

EN 62841-1:2015+AC:2015

EN 55014-1:2017+A11:2020

EN 55014-2:2015

EN IEC 63000:2018



Winnenden, 2020-09-21

Alexander Krug / Managing Director

Authorized to compile the technical file

Techtronic Industries GmbH

Max-Eyth-Straße 10, 71364 Winnenden, Germany

GB-DECLARATION OF CONFORMITY

We declare as the manufacturer under our sole responsibility that the product described under „Technical Data“ fulfills all the relevant provisions of the following Regulations

S.I. 2012/3032 (as amended), S.I. 2008/1597 (as amended),

S.I. 2016/1091 (as amended) and that the following designated standards have been used:

BS EN 62841-1:2015+AC:2015

BS EN 55014-1:2017+A11:2020

BS EN 55014-2:2015

BS EN IEC 63000:2018

Winnenden, 2020-09-21

Alexander Krug / Managing Director

Authorized to compile the technical file

Techtronic Industries GmbH

Max-Eyth-Straße 10, 71364 Winnenden, Germany

SYMBOLS



CAUTION! WARNING! DANGER!



Please read the instructions carefully before starting the machine.



Always wear goggles when using the machine.



Wear gloves!



Do not use on or near live circuits



Do not use while standing on a ladder



Remove the battery pack before starting any work on the appliance.



Accessory - Not included in standard equipment, available as an accessory.



Do not dispose electric tools, batteries/rechargeable batteries together with household waste material. Electric tools and batteries that have reached the end of their life must be collected separately and returned to an environmentally compatible recycling facility. Check with your local authority or retailer for recycling advice and collection point.

n₀ No-load speed

V Voltage

— — — Direct Current



European Conformity Mark



British Conformity Mark



Ukraine Conformity Mark



EurAsian Conformity Mark



TECHNISCHE DATEN Kabeleinzugsgerät	M18 FPFT	
Produktionsnummer	4749 40 01... ... 000001-999999	
Spannung Wechselakku	18 V	
Leerlaufdrehzahl	0 - 37 min ⁻¹	
Kabeleinzugsgerät aus Edelstahl auf Trommel Länge	37 m	73 m
Kabeleinzugsgerät aus Edelstahl auf Trommel Breite	3 mm	
Gewicht nach EPTA-Prozedur 01/2014 (Li-Ion 2,0 Ah...12,0 Ah)	7,13...8,19 kg	8,43...9,49 kg
Nicht leitendes Kabeleinzugsgerät auf Trommel	30 m	61 m
Gewicht nach EPTA-Prozedur 01/2014 (Li-Ion 2,0 Ah...12,0 Ah) (Nicht leitend)	6,43...7,49 kg	7,03...8,09 kg
Empfohlene Umgebungstemperatur für den Betrieb	-18°C... +50°C	
Empfohlene Akku Typen	M18...	
Empfohlene Ladegeräte	M12-18...	
Geräuschinformation	Messwerte ermittelt entsprechend EN 62841. Der A-bewertete Geräuschpegel des Gerätes beträgt typischerweise:	
Schalldruckpegel (Unsicherheit K=3dB(A))	71,45 dB (A)	
Schallleistungspegel (Unsicherheit K=3dB(A))	82,45 dB (A)	
Gehörschutz tragen!		
Vibrationsinformationen	Schwingungsgesamtwerte (Vektorsumme dreier Richtungen) ermittelt entsprechend EN 62841.	
Schwingungsemissionswert a _n	0,64 m/s ²	
Unsicherheit K=	1,5 m/s ²	



D

WARNUNG

Die angegebenen Schwingungsgesamtwerte und Geräuschemissionswerte wurden nach einem genormten Messverfahren gemäß EN 62841 gemessen und können für den Vergleich von Elektrowerkzeugen miteinander verwendet werden. Sie können für eine vorläufige Einschätzung der Belastung verwendet werden.

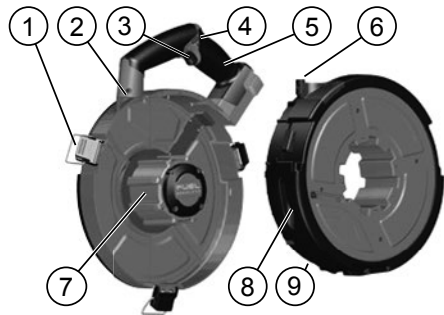
Der angegebene Schwingungs- und Geräuschemissionspegel repräsentiert die hauptsächlichsten Anwendungen des Elektrowerkzeugs. Wenn allerdings das Elektrowerkzeug für andere Anwendungen, mit abweichenden Einsatzwerkzeugen oder ungenügender Wartung eingesetzt wird, können sich die Schwingungs- und Geräuschemissionen unterscheiden. Dies kann deren Wirkung über den gesamten Arbeitszeitraum deutlich erhöhen.

Bei der Abschätzung der Belastung durch Schwingungen und Lärm sollten auch die Zeiten berücksichtigt werden, in denen das Elektrowerkzeug ausgeschaltet ist oder zwar läuft, aber keine tatsächliche Arbeit verrichtet wird. Dies kann deren Wirkung über den gesamten Arbeitszeitraum deutlich reduzieren.

Legen Sie zusätzliche Sicherheitsmaßnahmen zum Schutz des Bedieners vor den Auswirkungen von Schwingungen- und / oder Lärm fest, wie z. B.: Wartung des Werkzeugs und des Zubehörs, Warmhalten der Hände, Organisation der Arbeitsabläufe.

Tragen Sie Gehörschutz. Die Einwirkung von Lärm kann Gehörverlust bewirken.

⚠️ WARNUNG! Lesen Sie alle Sicherheitshinweise, Anweisungen, Bebilderungen und technischen Daten, mit denen dieses Elektrowerkzeug versehen ist. Versäumnisse bei der Einhaltung der nachfolgenden Anweisungen können elektrischen Schlag, Brand und/oder schwere Verletzungen verursachen. **Bewahren Sie alle Sicherheitshinweise und Anweisungen für die Zukunft auf.**



Gerätebeschreibung

- ① Verriegelungen
- ② Bandstutzen Ausklinkung
- ③ Auslöser
- ④ Bedienschalter
- ⑤ Gerätehandgriff
- ⑥ Bandstutzen
- ⑦ Antriebsnabe
- ⑧ Trommel-Griffe
- ⑨ Trommel

SICHERHEITSHINWEISE FÜR DAS KABELEINZUGSGERÄT

Nicht an oder in der Nähe von spannungsführenden Stromkreisen verwenden Bei Arbeiten in der Nähe von elektrischen Geräten ist äußerste Vorsicht geboten. Wenn Sie Kabel durch einen Kanal verlegen, der andere Kabel enthält, vergewissern Sie sich, dass die Stromzufuhr zu diesen Kabeln abgeschaltet oder unterbrochen wurde.

Achten Sie beim Verlegen von Kabeln darauf, dass Sie sicher stehen und das Gleichgewicht halten können. Nicht von einer Leiter aus arbeiten. Wenn sich das Kabel verhakt oder auf einen Widerstand trifft, kann es sein, dass die Leiter wackelt und Sie das Gleichgewicht verlieren oder nicht mehr kontrolliert arbeiten können.

Bei der Verwendung von Werkzeugen stets gesunden Menschenverstand anwenden und mit äußerster Sorgfalt vorgehen. Es ist unmöglich, alle Situationen mit Gefahrenpotenzial vorherzusehen. Dieses Werkzeug nicht verwenden, wenn Sie die Bedienungsanweisungen nicht verstehen oder das Gefühl haben, dass Sie der Arbeit nicht gewachsen sind. Für zusätzliche Informationen oder Schulungen wenden Sie sich an Milwaukee Tools oder einen Fachmann.

WARNUNG! Staub von elektrischen Schleif-, Schneid-, Bohr- und anderen Bauarbeiten enthält Chemikalien, die Krebs, Geburtsschäden oder andere Schäden der Fortpflanzungsfähigkeit verursachen können. Dazu gehören unter anderem:

- Blei aus bleihaltigen Farben
- kristallines Siliziumdioxid aus Ziegelsteinen und Zement oder anderen Maurerzeugnissen, sowie
- Arsen und Chrom aus chemisch behandeltem Holz.

Die Risiken durch eine solche Exposition sind vielfältig und von der Häufigkeit der ausgeführten Arbeiten abhängig.

Um eine übermäßige Exposition zu vermeiden, nur in gut belüfteten Umgebungen arbeiten und geeignete Sicherheitsausrüstungen, wie speziell zur Filterung mikroskopischer Partikel entwickelte Staubmasken, verwenden.

Etiketten und Typenschilder nicht entfernen. Diese Schilder enthalten wichtige Informationen. Wenn diese Hinweisschilder nicht mehr leserlich sind oder fehlen, wenden Sie sich an den MILWAUKEE-Kundendienst, um kostenlosen Ersatz zu erhalten.

WEITERE SICHERHEITS- UND ARBEITSHINWEISE

Schutzausrüstung verwenden. Beim Arbeiten mit der Maschine stets Schutzbrille tragen. Schutzkleidung wie Staubschutzmaske, Schutzhandschuhe, festes und rutschsicheres Schuhwerk, Helm und Gehörschutz werden empfohlen.

Beim Arbeiten entstehender Staub ist oft gesundheitsschädlich und sollte nicht in den Körper gelangen. Geeignete Staubschutzmaske tragen.

Es dürfen keine Materialien bearbeitet werden, von denen eine Gesundheitsgefährdung ausgeht (z.B. Asbest).

Beim Blockieren des Einsatzwerkzeuges bitte das Gerät sofort ausschalten! Schalten Sie das Gerät nicht wieder ein, solange das Einsatzwerkzeug blockiert ist; hierbei könnte ein Rückschlag mit hohem Reaktionsmoment entstehen. Ermitteln und beheben Sie die Ursache für die Blockierung des Einsatzwerkzeuges unter Berücksichtigung der Sicherheitshinweise.

Vor allen Arbeiten am Gerät den Wechselakku herausnehmen.

Verbrauchte Wechselakkus nicht ins Feuer oder in den Hausmüll werfen. Milwaukee bietet eine umweltgerechte Alt-Wechselakku-Entsorgung an; bitte fragen Sie Ihren Fachhändler.

Wechselakku nicht zusammen mit Metallgegenständen aufbewahren (Kurzschlussgefahr).

Unter extremer Belastung oder extremer Temperatur kann aus beschädigten Wechselakkus Batterieflüssigkeit auslaufen. Bei Berührung mit Batterieflüssigkeit sofort mit Wasser und Seife abwaschen. Bei Augenkontakt sofort mindestens 10 Minuten gründlich spülen und unverzüglich einen Arzt aufsuchen.

Um die durch einen Kurzschluss verursachte Gefahr eines Brandes, von Verletzungen oder Produktbeschädigungen zu vermeiden, tauchen Sie das Werkzeug, den Wechselakku oder das Ladegerät nicht in Flüssigkeiten ein und sorgen Sie dafür, dass keine Flüssigkeiten in die Geräte und Akkus eindringen. Korrodierende oder leitfähige Flüssigkeiten, wie Salzwasser, bestimmte Chemikalien und Bleichmittel oder Produkte, die Bleichmittel enthalten, können einen Kurzschluss verursachen.

Wechselakku des Systems M18 nur mit Ladegeräten des Systems M18 laden. Keine Akkus aus anderen Systemen laden.

Wechselakku und Ladegeräte nicht öffnen und nur in trockenen Räumen lagern. Vor Nässe schützen.

BESTIMMUNGSGEMÄSSE VERWENDUNG

Das Kabeleinzugsgerät ist ein optimales Werkzeug, um Kabel durch Wände und Kabelkanäle zu führen.

AKKUS

Längere Zeit nicht benutzte Wechselakkus vor Gebrauch nachladen. Eine Temperatur über 50°C vermindert die Leistung des Wechselakkus. Längere Erwärmung durch Sonne oder Heizung vermeiden. Die Anschlusskontakte an Ladegerät und Wechselakku sauber halten.

Für eine optimale Lebensdauer müssen nach dem Gebrauch die Akkus voll geladen werden.

Für eine möglichst lange Lebensdauer sollten die Akkus nach dem Aufladen aus dem Ladegerät entfernt werden.

Bei Lagerung des Akkus länger als 30 Tage: Akku bei ca. 27°C und trocken lagern. Akku bei ca. 30%-50% des Ladezustandes lagern. Akku alle 6 Monate erneut aufladen.

TRANSPORT VON LITHIUM-IONEN-AKKUS

Lithium-Ionen-Akkus fallen unter die gesetzlichen Bestimmungen zum Gefahrguttransport.

Der Transport dieser Akkus muss unter Einhaltung der lokalen, nationalen und internationalen Vorschriften und Bestimmungen erfolgen.

Verbraucher dürfen diese Akkus ohne Weiteres auf der Straße transportieren.

Der kommerzielle Transport von Lithium-Ionen-Akkus durch Speditionsunternehmen unterliegt den Bestimmungen des Gefahrguttransports. Die Versandvorbereitungen und der Transport dürfen ausschließlich von entsprechend geschulten Personen durchgeführt werden. Der gesamte Prozess muss fachmännisch begleitet werden.

Folgende Punkte sind beim Transport von Akkus zu beachten:

Stellen Sie sicher, dass die Kontakte geschützt und isoliert sind, um Kurzschlüsse zu vermeiden. Achten Sie darauf, dass der Akkupack innerhalb der Verpackung nicht verrutschen kann. Beschädigte oder auslaufende Akkus dürfen nicht transportiert werden. Wenden Sie sich für weitere Hinweise an Ihr Speditionsunternehmen.



D

AKKUÜBERLASTSCHUTZ

Bei Überlastung des Akkus durch sehr hohen Stromverbrauch, z.B. extrem hohe Drehmomente, plötzlichem Stopp oder Kurzschluss, vibriert das Elektrowerkzeug 5 Sekunden lang, die Ladeanzeige blinkt und das Elektrowerkzeug schaltet sich selbsttätig ab. Zum Wiedereinschalten, den Schaltrücker loslassen und dann wieder einschalten.

Unter extremen Belastungen erhitzt sich der Akku zu stark. In diesem Fall blinken alle Lampen der Ladeanzeige bis der Akku abgekühlt ist. Nach Erlöschen der Ladeanzeige kann weitergearbeitet werden.

Den Akku dann in das Ladegerät stecken um ihn wieder aufzuladen und zu aktivieren.

ZUSÄTZLICHE TIPPS FÜR DEN GEBRAUCH

Stützen Sie das Einzugsgerät während des Gebrauchs ab.

Beachten Sie die Abbildungen für den normalen Gebrauch.

Überwachen Sie das Einzugsband während des Ausfahrens. Wenn sich das Einzugsband dem vollständigen Auszug nähert, ist eine gelbe Markierung sichtbar. Sobald die gelbe Farbe sichtbar ist, beenden Sie das Ausfahren. Ein weiteres Ausfahren könnte das Einzugsgerät beschädigen oder zerstören.

Achten Sie vor dem Verlegen des Kabels auf Ihre Umgebung und auf mögliche Gefahren für Sie selbst und andere in der Nähe, falls sich das Einzugsband beim Verlegen lösen sollte.

HINWEIS: Wenn das Werkzeug blockiert, den Schalter sofort loslassen. Ziehen Sie nicht gewaltsam am Kabel, wenn es sich verhakt hat oder auf einen Widerstand gestoßen ist. Entfernen Sie stattdessen das Kabel und beseitigen Sie das Hindernis.

Zum Einziehen des Einzugsbands den Bedienschalter in die Einfahrstellung bringen und den Ein-Aus-Schalter betätigen. Stoppen Sie das Einziehen, wenn das Einzugsband in die Ausgangsposition zurückgekehrt ist. Ein weiteres Einziehen könnte die Trommel beschädigen oder zerstören.

Falls das Gerät beim Schieben aussetzt:

- Lassen Sie den Auslöser los.
- Schieben Sie den Bedienschalter in die Position „Ziehen“.
- Ziehen Sie 3 bis 4 Sekunden lang am Auslöser.
- Schieben Sie den Bedienschalter in die Position „Schieben“.
- Ziehen Sie am Auslöser und versuchen Sie erneut zu schieben.
- Wiederholen Sie die oben aufgeführten Schritte bei Bedarf bis zu 5 mal.
- Sollte das Gerät weiterhin während des Schiebens aussetzen, muss das Wicklergehäuse ausgetauscht werden.

Falls das nichtleitende Band während des Schiebens beginnt, sich in das Wicklergehäuse zurückzuziehen:

- Lassen Sie den Auslöser los.
- Schieben Sie den Bedienschalter in die Position „Ziehen“.
- Halten Sie das Band direkt außerhalb des Gehäuses mit einem festen Faustgriff.
- Ziehen Sie dann den Auslöser und spannen Sie das Band gleichzeitig mit der anderen Hand, während es ins Gehäuse zurückgezogen wird.
- Lassen Sie den Auslöser los.
- Schieben Sie den Bedienschalter in die Position „Schieben“.
- Ziehen Sie am Auslöser und versuchen Sie erneut zu schieben.
- Wiederholen Sie die oben aufgeführten Schritte bei Bedarf bis zu 5 mal.

- Falls das Gerät weiterhin während des Schiebens zurückzieht, muss das Wicklergehäuse ausgetauscht werden.

WARTUNG

Vor allen Arbeiten am Gerät den Wechselakku herausnehmen.

Die freiliegende Spirale mit einem Lappen abwischen und wieder in die Trommel einschieben.

Vor Lagerung des Rohrreinigers, die Spirale vollkommen herausziehen. Die Spirale reinigen und locker aufwickeln.

Nur Milwaukee Zuhör- und Milwaukee Ersatzteile verwenden. Bauteile, deren Austausch nicht beschrieben wurde, bei einer Milwaukee Kundendienststelle auswechseln lassen (Broschüre Garantie/Kundendienstadressen beachten).

Bei Bedarf kann eine Explosionszeichnung des Gerätes unter Angabe der Maschinen Type und der sechsstelligen Nummer auf dem Leistungsschild bei Ihrer Kundendienststelle oder direkt bei Techtronic Industries GmbH, Max-Eyth-Straße 10, 71364 Winnenden, Germany angefordert werden.

CE-KONFORMITÄTserklärung

Wir erklären in alleiniger Verantwortung, dass das unter „Technische Daten“ beschriebene Produkt mit allen relevanten Vorschriften der Richtlinien:

2011/65/EU (RoHS)

2006/42/EG

2014/30/EU

und den folgenden harmonisierten normativen Dokumenten übereinstimmt

EN 62841-1:2015+AC:2015

EN 55014-1:2017+A11:2020

EN 55014-2:2015

EN IEC 63000:2018



Winnenden, 2020-09-21

Alexander Krug / Managing Director
Bevollmächtigt die technischen Unterlagen zusammenzustellen.
Techtronic Industries GmbH
Max-Eyth-Straße 10, 71364 Winnenden, Germany

SYMBOLE



ACHTUNG! WARNUNG! GEFAHR!



Bitte lesen Sie die Gebrauchsanweisung vor Inbetriebnahme sorgfältig durch.



Beim Arbeiten mit der Maschine stets Schutzbrille tragen.



Schutzhandschuhe tragen!



Nicht an oder in der Nähe von spannungsführenden Stromkreisen verwenden



Nicht beim Stehen auf einer Leiter verwenden



Vor allen Arbeiten am Gerät den Wechselakku herausnehmen.



Zubehör - Im Lieferumfang nicht enthalten, empfohlene Ergänzung aus dem Zubehörprogramm.



Elektrogeräte, Batterien/Akkus dürfen nicht zusammen mit dem Hausmüll entsorgt werden. Elektrische Geräte und Akkus sind getrennt zu sammeln und zur umweltgerechten Entsorgung bei einem Verwertungsbetrieb abzugeben. Erkundigen Sie sich bei den örtlichen Behörden oder bei Ihrem Fachhändler nach Recyclinghöfen und Sammelstellen.

n₀ Leerlaufdrehzahl

V Spannung

 Gleichstrom

 Europäisches Konformitätszeichen

 Britisches Konformitätszeichen

 Ukrainisches Konformitätszeichen

 Euroasiatisches Konformitätszeichen



CARACTÉRISTIQUES TECHNIQUES	M18 FPFT	
Ruban de tirage		
Numéro de série	4749 40 01... ... 000001-999999	
Tension accu interchangeable	18 V	
Vitesse de rotation à vide	0 - 37 min ⁻¹	
Longueur du ruban de tirage en acier sur bobine	37 m	73 m
Largeur du ruban de tirage en acier sur bobine	3 mm	
Poids suivant EPTA-Procédure 01/2014 (Li-Ion 2,0 Ah...12,0 Ah)	7,13...8,19 kg	8,43...9,49 kg
Longueur du ruban non conducteur sur bobine	30 m	61 m
Poids suivant EPTA-Procédure 01/2014 (Li-Ion 2,0 Ah...12,0 Ah) (Non conducteur)	6,43...7,49 kg	7,03...8,09 kg
Température ambiante conseillée pour le fonctionnement	-18°C... +50°C	
Batteries conseillées	M18...	
Chargeurs conseillés	M12-18...	
Informations sur le bruit	Valeurs de mesure obtenues conformément à la EN 62841. Les mesures réelles (des niveaux acoustiques de l'appareil sont :	
Niveau de pression acoustique (Incertitude K=3dB(A))	71,45 dB (A)	
Niveau d'intensité acoustique (Incertitude K=3dB(A))	82,45 dB (A)	
Toujours porter une protection acoustique!		
Informations sur les vibrations	Valeurs totales des vibrations (somme vectorielle de trois sens) établies conformément à EN 62841.	
Valeur d'émission vibratoire a _v	0,64 m/s ²	
Incertitude K=	1,5 m/s ²	



AVERTISSEMENT

Le niveau de vibration et d'émissions sonores indiqué dans cette fiche de données a été mesuré en respect d'une méthode standard de test selon la norme EN 62841 et peut être utilisé pour comparer les outils entre eux. Il peut être utilisé pour évaluation préliminaire de l'exposition.

Le niveau de vibration et d'émissions sonores déclaré correspond à l'application principale de l'outil. Cependant, si l'outil est utilisé pour des applications différentes, avec différents accessoires ou est mal entretenu, les vibrations et les émissions sonores peuvent différer. Cela peut augmenter considérablement le niveau d'exposition au cours de la période de travail totale.

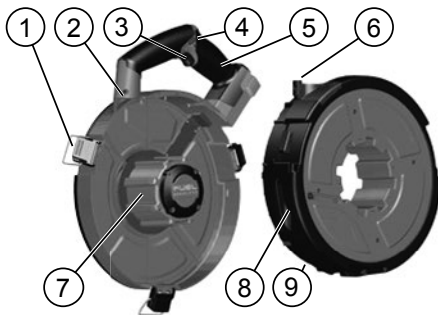
Une estimation du niveau d'exposition aux vibrations et au bruit devrait également tenir compte des temps d'arrêt de l'outil ou des périodes où il est en marche mais n'effectue pas réellement le travail. Cela peut réduire considérablement le niveau d'exposition au cours de la période de travail totale.

Identifier des mesures de sécurité supplémentaires pour protéger l'opérateur des effets des vibrations et/ou du bruit tels que :

l'entretien de l'outil et des accessoires, le maintien au chaud des mains, l'organisation des processus de travail.

Portez une protection acoustique. L'exposition au bruit pourrait provoquer une diminution de l'ouïe.

⚠ AVERTISSEMENT! Lisez toutes les consignes de sécurité, instructions, présentations et données que vous recevez avec l'appareil. Le fait de ne pas suivre toutes les instructions données ci-dessous peut provoquer un choc électrique, un incendie et/ou une blessure grave. **Bien garder tous les avertissements et instructions.**



Description du dispositif

- ① Loquets
- ② Entaille de l'embout
- ③ Déclencheur
- ④ Interrupteur de commande
- ⑤ Poignée
- ⑥ Embout
- ⑦ Moyeu
- ⑧ Poignées de bobine
- ⑨ Bobine

AVERTISSEMENTS DE SÉCURITÉ POUR RUBAN DE TIRAGE

Ne pas utiliser sur ou près de circuits sous tension. Lorsque vous travaillez à proximité d'un équipement électrique, faites preuve d'une extrême prudence. Lorsque vous le tirez dans un conduit qui contient d'autres fils, assurez-vous que l'alimentation de ces fils a été coupée ou déconnectée.

Assurez-vous d'avoir une bonne stabilité et un bon équilibre lorsque vous effectuez des opérations de tirage. Ne pas tirer depuis une échelle. En cas d'accrochage ou de résistance, une échelle pourrait devenir instable, ce qui pourrait entraîner une perte d'équilibre ou de contrôle.

Agissez avec bon sens et soyez prudent lors de l'utilisation des outils. Il n'est pas toujours possible de prévoir les situations qui pourraient devenir dangereuses. Si vous ne comprenez pas le présent mode d'emploi ou si vous avez l'impression que la tâche dépasse vos capacités, n'utilisez pas cet outil. Contactez Milwaukee Tool ou un spécialiste expérimenté pour des informations ou une formation complémentaires.

AVERTISSEMENT! Certaines poussières créées par le ponçage, le sciage, le meulage, le perçage et d'autres activités du bâtiment contiennent des substances chimiques connues pour provoquer des cancers, avoir des effets tératogènes ou néfastes sur la reproduction. En voici quelques exemples :

- le plomb contenu dans les peintures à base de plomb
- la silice cristalline issue des briques, ciments et autres produits de maçonnerie, et
- l'arsenic et le chrome des bois traités chimiquement.

Les risques liés à l'exposition à ces substances dépendent de la fréquence de réalisation de ce type de travaux.

Afin de réduire votre exposition à ces substances chimiques, nous vous conseillons de travailler dans un endroit bien ventilé et d'utiliser des équipements de sécurité agréés comme les masques de protection contre les poussières spécialement conçus pour filtrer les particules microscopiques.

N'enlever aucune étiquette et plaquette. Les plaquettes contiennent des informations importantes. Dans le cas où ces plaquettes informatives ne soient plus lisibles ou soient absentes, veuillez vous adresser au service clients MILWAUKEE en vue d'obtenir un remplacement gratuit.

AVIS COMPLÉMENTAIRES DE SÉCURITÉ ET DE TRAVAIL

Utiliser l'équipement de protection. Toujours porter des lunettes de protection pendant le travail avec la machine. Il est recommandé de porter des articles de protection, tels que masque antipoussière, gants de protection, chaussures tenant bien aux pieds et antidérapantes, casque et protection acoustique.

Les poussières qui sont dégagées pendant les travaux sont souvent nocives pour la santé et ne devraient pas pénétrer dans le corps. Porter un masque de protection approprié contre les poussières. Il est interdit de travailler des matériaux dangereux pour la santé (par ex. amiante).

Désactiver immédiatement le dispositif en cas de blocage ! Ne pas réactiver le dispositif avec l'outil bloqué; il y a le risque de provoquer un contrecoup avec moment de réaction élevé. Établir et éliminer la cause du blocage de l'outil en prêtant attention aux éléments de sécurité.

Avant tous travaux sur l'appareil retirer l'accu interchangeable.

Ne pas jeter les accus interchangeables usés au feu ou avec les déchets ménagers. Milwaukee offre un système d'évacuation écologique des accus usés.

Ne pas conserver les accus interchangeables avec des objets métalliques (risque de court-circuit)

En cas de conditions ou températures extrêmes, du liquide caustique peut s'échapper d'un accu interchangeable endommagé. En cas de contact avec le liquide caustique de la batterie, laver immédiatement avec de l'eau et du savon. En cas de contact avec les yeux, rincer soigneusement avec de l'eau et consulter immédiatement un médecin.

Pour réduire le risque d'incendie, de blessures corporelles et de dommages cau-sés par un court-circuit, ne jamais immerger l'outil, le bloc-piles ou le chargeur dans un liquide ou laisser couler un fluide à l'intérieur de celui-ci. Les fluides corrosifs ou conducteurs, tels que l'eau de mer, certains produits chim-iques industriels, les produits de blanchiment ou de blanchi-ment, etc., Peuvent provoquer un court-circuit.

Ne charger les accus interchangeables du système M18 qu'avec le chargeur d'accus du système M18. Ne pas charger des accus d'autres systèmes.

Ne pas ouvrir les accus interchangeables et les chargeurs et ne les stocker que dans des locaux secs. Les protéger contre l'humidité.

UTILISATION CONFORME AUX PRESCRIPTIONS

Le ruban de tirage est un outil idéal pour faire passer le câblage dans les murs et les conduits électriques.

ACCUS

Recharger les accus avant utilisation après une longue période de non utilisation.

Une température supérieure à 50°C amoindrit la capacité des accus. Éviter les expositions prolongées au soleil ou au chauffage.

Tenir propres les contacts des accus et des chargeurs.

Pour une durée de vie optimale, les accus doivent être chargés à fond après l'utilisation.

Pour une plus longue durée de vie, enlever les batteries du chargeur de batterie quand celles-ci seront chargées.

En cas d'entreposage de la batterie pour plus de 30 jours: Entreposer la batterie à 27°C environ dans un endroit sec. Entreposer la batterie avec une charge d'environ 30% - 50%. Recharger la batterie tous les 6 mois.

TRANSPORT DE BATTERIES LITHIUM-ION

Les batteries lithium-ion sont soumises aux dispositions législatives concernant le transport de produits dangereux.

Le transport de ces batteries devra s'effectuer dans le respect des dispositions et des normes locales, nationales et internationales. Les utilisateurs peuvent transporter ces batteries sans restrictions.

Le transport commercial de batteries lithium-ion est réglé par les dispositions concernant le transport de produits dangereux. La préparation au transport et le transport devront être effectués uniquement par du personnel formé de façon adéquate. Tout le procédé devra être géré d'une manière professionnelle.

Durant le transport de batteries il faut respecter les consignes suivantes :

S'assurer que les contacts soient protégés et isolés en vue d'éviter des courts-circuits. S'assurer que le groupe de batteries ne puisse pas se déplacer à l'intérieur de son emballage. Des batteries endommagées ou des batteries perdant du liquide ne devront pas être transportées. Pour tout renseignement complémentaire veuillez vous adresser à votre transporteur professionnel.



PROTECTION DE L'ACCU CONTRE LES SURCHARGES

En cas d'une surcharge de l'accu à cause d'une très haute consommation de courant, par exemple suite à des couples extrêmement élevés, un arrêt soudain ou un court-circuit, l'outil électrique vibre pendant 5 secondes, l'indicateur de charge clignote et l'outil électrique se déconnecte automatiquement.

Pour le ré-enclencher, relâcher le poussoir de l'interrupteur, puis enclencher à nouveau l'appareil.

Sous des sollicitations extrêmes, l'accu s'échauffe trop fortement. Dans ce cas, tous les témoins de l'indicateur de charge clignotent jusqu'à ce que l'accu se soit refroidi. Il est possible de continuer à travailler dès que l'indicateur de charge s'est éteint.

Mettre alors l'accu en place dans le chargeur pour le recharger et l'activer.

CONSEILS ULTÉRIEURS D'UTILISATION

Soutenir le ruban de tirage pendant l'utilisation.

Pour le fonctionnement normal, voir la section photos.

Pendant l'extension, surveillez le ruban de tirage. Lorsque l'on approche de la pleine extension, le ruban de tirage affiche un repère en peinture jaune. Une fois que la peinture jaune est visible, arrêtez l'extension. Une extension supplémentaire pourrait endommager ou casser le ruban de tirage.

Avant de tirer le ruban, soyez conscient de votre environnement et des dangers potentiels pour vous et les autres si le ruban se détache pendant le tirage.

NOTE : Si l'outil se coince, relâcher tout de suite l'interrupteur. Ne forcez pas un tirage qui s'est accroché ou qui a rencontré un point de résistance. Enlevez plutôt le câble et dégagez l'obstruction.

Pour rétracter le ruban de tirage, placez l'interrupteur de commande en position de rétraction et appuyez sur l'interrupteur marche-arrêt. Arrêtez de rétracter une fois que le ruban de tirage est revenu à la position de départ. Continuer à rétracter davantage pourrait endommager ou briser la bobine.

Si l'outil s'arrête durant l'alimentation :

- Relâcher l'interrupteur marche-arrêt.
- Placer l'interrupteur de commande en position de rétraction.
- Tirer l'interrupteur marche-arrêt pendant 3-4 secondes.
- Placer l'interrupteur de commande en position d'alimentation.
- Tirer l'interrupteur marche-arrêt et essayer de réalimenter.
- Répéter les étapes ci-dessus jusqu'à 5 fois si nécessaire.
- Si l'outil continue à s'arrêter durant l'alimentation, le tambour doit être remplacé.

Si le ruban non conducteur commence à se retirer dans le tambour pendant l'alimentation :

- Relâcher l'interrupteur marche-arrêt.
- Placer l'interrupteur de commande en position de rétraction.
- Saisir le ruban juste à l'extérieur du tambour d'une main ferme.
- Tirer l'interrupteur marche-arrêt tout en appliquant une tension au ruban avec l'autre main à mesure que le ruban revient dans le tambour.
- Relâcher l'interrupteur marche-arrêt.
- Placer l'interrupteur de commande en position d'alimentation.
- Tirer l'interrupteur marche-arrêt et essayer de réalimenter.
- Répéter les étapes ci-dessus jusqu'à 5 fois si nécessaire.
- Si l'outil continue à se retirer durant l'alimentation, le tambour doit être remplacé.

ENTRETIEN

Avant tous travaux sur l'appareil retirer l'accu interchangeable. Nettoyer la vrille libre à l'aide d'un chiffon et l'insérer de nouveau dans le tambour.

Avant de ranger le déboucheur, extraire complètement la vrille. Nettoyer la vrille et la rouler pas trop serrée.

Utiliser uniquement les accessoires Milwaukee et les pièces détachées Milwaukee. Faire remplacer les composants dont le remplacement n'a pas été décrit, par un des centres de service après-vente Milwaukee (observer la brochure avec les adresses de garantie et de service après-vente).

Si besoin est, une vue éclatée de l'appareil peut être fournie. S'adresser, en indiquant bien le numéro porté sur la plaque signalétique, à votre station de service après-vente (voir liste jointe) ou directement à Techtronic Industries GmbH, Max-Eyth-Straße 10, 71364 Winnenden, Germany.

DÉCLARATION CE DE CONFORMITÉ

Nous déclarons, sous notre responsabilité exclusive, que le produit décrit ici dans les « Caractéristiques techniques » satisfait à toutes les dispositions pertinentes des directives:

2011/65/UE (RoHS)

2006/42/CE

2014/30/UE

et que les normes harmonisées suivantes ont été appliquées

EN 62841-1:2015+AC:2015

EN 55014-1:2017+A1:2020

EN 55014-2:2015

EN IEC 63000:2018



Winnenden, 2020-09-21

Alexander Krug / Managing Director
Autorisé à compiler la documentation technique.
Techtronic Industries GmbH
Max-Eyth-Straße 10, 71364 Winnenden, Germany

SYMBLES



ATTENTION! AVERTISSEMENT! DANGER!



Veillez lire avec soin le mode d'emploi avant la mise en service



Toujours porter des lunettes protectrices en travaillant avec la machine.



Porter des gants de protection!



Ne pas utiliser sur ou près de circuits sous tension



Ne pas utiliser en position debout sur une échelle



Avant tous travaux sur l'appareil retirer l'accu interchangeable.



Accessoires - Ces pièces ne font pas partie de la livraison. Il s'agit là de compléments recommandés pour votre machine et énumérés dans le catalogue des accessoires.



Les dispositifs électriques, les batteries et les batteries rechargeables ne sont pas à éliminer dans les déchets ménagers. Les dispositifs électriques et les batteries sont à collecter séparément et à remettre à un centre de recyclage en vue de leur élimination dans le respect de l'environnement. S'adresser aux autorités locales ou au détaillant spécialisé en vue de connaître l'emplacement des centres de recyclage et des points de collecte.

n₀ Vitesse de rotation à vide

V Tension

 Courant continu



Marque de conformité européenne



Marque de conformité britannique



Marque de conformité ukrainienne



Marque de conformité d'Eurasie



DATI TECNICI Filo passacavi	M18 FPFT	
Numero di serie	4749 40 01... ... 000001-999999	
Tensione batteria	18 V	
Numero di giri a vuoto	0 - 37 min ⁻¹	
Lunghezza filo passacavi in acciaio	37 m	73 m
Larghezza filo passacavi in acciaio	3 mm	
Peso secondo la procedura EPTA 01/2014 (Li-Ion 2,0 Ah...12,0 Ah)	7,13...8,19 kg	8,43...9,49 kg
Lunghezza filo non conduttivo	30 m	61 m
Peso secondo la procedura EPTA 01/2014 (Li-Ion 2,0 Ah...12,0 Ah) (Non conduttivo)	6,43...7,49 kg	7,03...8,09 kg
Temperatura ambiente consigliata per il funzionamento	-18°C... +50°C	
Batterie consigliate	M18...	
Caricatori consigliati	M12-18...	
Informazioni sulla rumorosità	Valori misurati conformemente alla norma EN 62841. La misurazione A del livello di pressione acustica dell'utensile è di solito di:	
Livello di rumorosità (Incertezza della misura K=3dB(A))	71,45 dB (A)	
Potenza della rumorosità (Incertezza della misura K=3dB(A))	82,45 dB (A)	
Utilizzare le protezioni per l'udito!		
Informazioni sulle vibrazioni	Valori totali delle oscillazioni (somma di vettori in tre direzionmisurati conformemente alla norma EN 62841	
Valore di emissione dell'oscillazione a _h	0,64 m/s ²	
Incertezza della misura K=	1,5 m/s ²	

AVVERTENZA

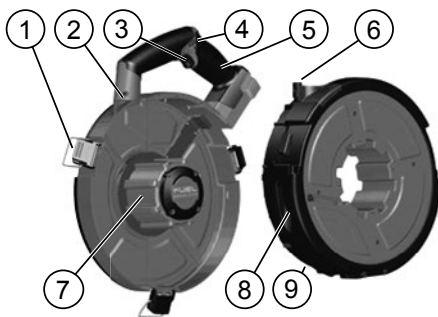
Il/i valore/i di emissione acustica riportato/i in questa scheda informativa sono stati misurati conformemente a un metodo di prova standard sulla base della norma EN 62841 e possono essere utilizzati per confrontare gli utensili tra loro. Può/possono essere utilizzato/i anche per una valutazione preliminare dell'esposizione. Il livello di vibrazione ed emissione acustica dichiarato rappresenta le applicazioni principali dell'utensile. Tuttavia, se l'utensile è utilizzato per applicazioni diverse, con accessori differenti o una manutenzione non adeguata, la vibrazione e l'emissione acustica potrebbero variare. Ciò può aumentare significativamente il livello di esposizione durante l'intera durata del lavoro.

Una stima del livello di esposizione alle vibrazioni e al rumore dovrebbe tenere conto anche dei periodi in cui l'utensile è spento o è in funzione ma non sta lavorando. Ciò può ridurre significativamente il livello di esposizione durante l'intera durata del lavoro.

Identificare le misure di sicurezza supplementari per proteggere l'operatore dagli effetti delle vibrazioni e/o del rumore, ad esempio eseguendo la manutenzione dell'utensile e degli accessori, mantenendo le mani calde e organizzando gli schemi di lavoro.

Indossare protezioni acustiche adeguate. L'esposizione al rumore potrebbe comportare una riduzione dell'udito.

⚠ AVVERTENZA! Leggere tutte le avvertenze di sicurezza, le istruzioni, le illustrazioni e i dati forniti a corredo dell'apparecchio. In caso di mancata osservanza delle seguenti istruzioni vi è il pericolo di provocare una scossa elettrica, di sviluppare incendi e/o di provocare seri incidenti. **Conservare tutte le avvertenze di pericolo e le istruzioni operative per ogni esigenza futura.**



Descrizione del dispositivo

- ① Chiavistelli
- ② Foro ugello
- ③ Levetta di scatto
- ④ Interruttore
- ⑤ Impugnatura
- ⑥ Ugello
- ⑦ Mozzo
- ⑧ Graffe rullo
- ⑨ Rullo

AVVERTENZE DI SICUREZZA PER FILO PASSACA VI

Non usare su o intorno a circuiti attivi Prestare la massima prudenza durante lavori in prossimità di apparecchi elettrici. Quando si instradano cavi attraverso un condotto che contiene ulteriori cavi, assicurarsi che questi ultimi siano disattivati o disconnessi.

Mantenere una posizione ferma e un buon equilibrio durante le operazioni di instradamento. Non tirare da una scala. In caso di ostacoli o resistenze, la scala potrebbe diventare instabile causando perdita di equilibrio o di controllo.

Usare sempre il buon senso ed essere prudenti durante l'utilizzo degli utensili. Non è possibile anticipare tutte le situazioni che potrebbero causare un risultato pericoloso. Non utilizzare l'utensile se le presenti istruzioni operative non sono state comprese o se si ha l'impressione che il lavoro da eseguire vada oltre le proprie capacità; contattare Milwaukee Tool o uno specialista qualificato per ottenere maggiori informazioni o istruzioni.

AVVERTENZA! Alcune polveri prodotte durante la levigatura, il taglio, la macinatura, la perforazione e altre attività costruttive contengono sostanze chimiche che causano cancro, malformazioni congenite o altri danni agli apparati riproduttivi. Alcune di queste sostanze chimiche sono:

- piombo presente nelle vernici a base di piombo
- silice cristallina presente in mattoni, cemento e altri prodotti per edilizia, e
- arsenico e cromo presenti nel legname trattato chimicamente.

Il pericolo varia a seconda della frequenza con cui si realizza questo tipo di lavoro.

Per ridurre l'esposizione a queste sostanze chimiche: lavorare in una zona ben ventilata, utilizzare dispositivi di sicurezza omologati, ad esempio maschere antipolvere specificatamente progettate per filtrare le particelle microscopiche.

Non rimuovere etichette e targhette. Le targhette contengono informazioni importanti. Qualora queste targhette informative non fossero più leggibili o mancanti, si prega di contattare il servizio clienti di MILWAUKEE per ottenere una sostituzione gratuita.

ULTERIORI AVVISI DI SICUREZZA E DI LAVORO

Usare dispositivi di protezione. Durante il lavoro con la macchina bisogna sempre portare occhiali di protezione. Si consiglia di indossare indumenti di protezione come maschera antipolvere, guanti di protezione, scarpe antiscivolo robuste, casco e cuffie di protezione acustica.

La polvere che si produce durante il lavoro è spesso dannosa per la salute e non dovrebbe essere aspirata. Portare un'adeguata mascherina protettiva.

E' vietato lavorare materiali che possono costituire pericoli alla salute (ad es. amianto).

Spegnerne immediatamente il dispositivo in caso di bloccaggio! Non riaccendere il dispositivo fino a quando l'utensile ad inserto resta bloccato; esiste il rischio di causare un contraccolpo con elevato momento di reazione. Rilevare ed eliminare la causa del bloccaggio dell'utensile ad inserto tenendo conto delle indicazioni di sicurezza. Prima di iniziare togliere la batteria dalla apparecchiatura.

Non gettare le batterie esaurite sul fuoco o nella spazzatura di casa. La Milwaukee offre infatti un servizio di recupero batterie usate.

Nel vano d'innesto per la batteria del caricatore non devono entrare parti metalliche. (pericolo di cortocircuito).

Nel caso di batterie danneggiate da un carico eccessivo o da temperature alte, l'acido di queste potrebbe fuoriuscire. In caso di contatto con l'acido delle batterie lavarsi immediatamente con acqua e sapone. In caso di contatto con gli occhi risciacquare

immediatamente con acqua per almeno 10 minuti e contattare subito un medico.

Per ridurre il rischio d'incendio, di lesioni o di danni al prodotto causati da corto circuito, non immergere mai l'utensile, la batteria ricaricabile o la carica batterie in un liquido e non lasciare mai penetrare alcun liquido all'interno dei dispositivi e delle batterie. I fluidi corrosivi o conduttori come acqua salata, alcuni agenti chimici, agenti candeggianti o prodotti contenenti agenti candeggianti potrebbero provocare un corto circuito.

Le batterie del System M18 sono ricaricabili esclusivamente con i caricatori del System M18. Le batterie di altri sistemi non possono essere ricaricate.

Non aprire nè la batteria nè il caricatore e conservarli solo in luogo asciutto. Proteggerli dalla umidità.

UTILIZZO CONFORME

Il filo passacavi è un utensile ideale per instradare cavi attraverso pareti e condotti elettrici.

BATTERIE

Batterie non utilizzate per molto tempo devono essere ricaricate prima dell'uso.

A temperature superiori ai 50°C, la potenza della batteria si riduce. Evitare di esporre l'accumulatore a surriscaldamento prolungato, dovuto ad esempio ai raggi del sole o ad un impianto di riscaldamento.

Per una ottimale vita utile è necessario ricaricare completamente le batterie dopo l'uso.

Per una più lunga durata, rimuovere le batterie dal caricabatterie quando saranno cariche.

In caso di immagazzinaggio della batteria per più di 30 giorni: Immagazzinare la batteria a carica 27°C in ambiente asciutto. Immagazzinare la batteria con carica di circa il 30% - 50%. Ricaricare la batteria ogni 6 mesi.

TRASPORTO DI BATTERIE AGLI IONI DI LITIO

Le batterie agli ioni di litio sono soggette alle disposizioni di legge sul trasporto di merce pericolosa.

Il trasporto di queste batterie deve avvenire rispettando le disposizioni e norme locali, nazionali ed internazionali.

Gli utilizzatori possono trasportare queste batterie su strada senza alcuna restrizione.

Il trasporto commerciale di batterie agli ioni di litio è regolato dalle disposizioni sul trasporto di merce pericolosa. Le preparazioni al trasporto ed il trasporto stesso devono essere svolti esclusivamente da persone idoneamente istruite. Tutto il processo deve essere gestito in maniera professionale.

Durante il trasporto di batterie occorre tenere conto di quanto segue:

Assicurarsi che i contatti siano protetti ed isolati per evitare corto circuiti. Accertarsi che il gruppo di batterie non possa spostarsi all'interno dell'imballaggio. Batterie danneggiate o batterie che perdono liquido non devono essere trasportate. Per ulteriori informazioni si prega di contattare il proprio trasportatore.



DISPOSITIVO ANTISOVRACCARICO ACCUMULATORE

In caso di sovraccarico dell'accumulatore dovuto ad un consumo molto elevato di corrente, ad es. momenti di coppia estremamente elevati, arresto improvviso o corto circuito, l'utensile elettrico vibra per 5 secondi, il display di carica lampeggia e l'elettrotensile si spegne automaticamente.

Per riaccenderlo rilasciare l'interruttore e poi riaccenderlo.

Se sottoposto a sollecitazioni estreme l'accumulatore si riscalda eccessivamente. In questo caso lampeggiano tutte le spie del display di carica finché l'accumulatore non è raffreddato. Quando il display di carica si spegne si può continuare a lavorare.

Inserire l'accumulatore nell'apparecchio carica-batterie per ricaricarlo e attivarlo.

ULTERIORI CONSIGLI D'USO

Sostenere il filo passacavi durante l'uso.

Per l'uso normale consultare le immagini.

Durante lo svolgimento tenere sotto controllo il filo passacavi.

Quando lo svolgimento è quasi completo, il filo passacavi è contrassegnato in giallo. Interrompere lo svolgimento non appena è visibile il colore giallo. Un ulteriore svolgimento potrebbe danneggiare o rompere il filo passacavi.

Prima dell'instradamento del cavo controllare l'ambiente circostante e i potenziali rischi per sé stessi e per gli altri, nell'eventualità che il filo si rompa durante l'instradamento.

NOTA: Se l'utensile si incastra, rilasciare subito

l'interruttore. Non tirare con forza se si incontra un ostacolo o un punto di resistenza. Rimuovere invece il cavo ed eliminare l'ostruzione.

Per riavvolgere il filo passacavi, portare l'interruttore in posizione di avvolgimento e premere la levetta. Interrompere il riavvolgimento una volta che il filo è tornato alla posizione iniziale. Un ulteriore riavvolgimento potrebbe danneggiare o rompere il rullo.

Se l'utensile si spegne durante l'alimentazione:

- Rilasciare l'interruttore On/Off.
- Portare l'interruttore di controllo in posizione di retrazione.
- Premere l'interruttore On/Off per 3-4 secondi.
- Portare l'interruttore di controllo in posizione di alimentazione.
- Premere l'interruttore On/Off e tentare di alimentare di nuovo.
- Se necessario, ripetere 5 volte i passi sopra descritti.
- Se l'utensile continua a spegnersi durante l'alimentazione, occorre sostituire il tamburo.

Se il nastro non conduttivo inizia a ritirarsi nel tamburo durante l'alimentazione:

- Rilasciare l'interruttore On/Off.
- Portare l'interruttore di controllo in posizione di retrazione.
- Afferrare con la mano in modo deciso il nastro appena fuori dal tamburo.
- Premere l'interruttore On/Off mentre si applica tensione con l'altra mano e il nastro rientra nel tamburo.
- Rilasciare l'interruttore On/Off.
- Portare l'interruttore di controllo in posizione di alimentazione.
- Premere l'interruttore On/Off e tentare di alimentare di nuovo.
- Se necessario, ripetere 5 volte i passi sopra descritti.
- Se l'utensile continua a ritirarsi durante l'alimentazione, occorre sostituire il tamburo.

MANUTENZIONE

Prima di iniziare togliere la batteria dall'apparecchio.

Pulire la spirale libera con un panno ed inserirla nuovamente nel tamburo.

Prima di immagazzinare lo sturatore, estrarre completamente la spirale. Pulire la spirale ed arrotolarla non troppo stretta.

Usare solo accessori Milwaukee e pezzi di ricambio Milwaukee.

Gruppi costruttivi la cui sostituzione non è stata descritta, devono essere fatti cambiare da un punto di servizio di assistenza tecnica al cliente Milwaukee (vedi depliant garanzia/indirizzi assistenza tecnica ai clienti).

In caso di mancanza del disegno esploso, può essere richiesto al seguente indirizzo: Techtronic Industries GmbH, Max-Eyth-Straße 10, 71364 Winnenden, Germany.

DICHIARAZIONE DI CONFORMITÀ CE

Assumendone la piena responsabilità, dichiariamo che il prodotto descritto nei "Dati tecnici" è conforme alle pertinenti disposizioni delle direttive:

2011/65/UE (RoHS)

2006/42/CE

2014/30/UE

e che sono state applicate le seguenti norme armonizzate

EN 62841-1:2015+AC:2015

EN 55014-1:2017+A11:2020

EN 55014-2:2015

EN IEC 63000:2018



Winnenden, 2020-09-21

Alexander Krug / Managing Director

Autorizzato alla preparazione della documentazione tecnica

Techtronic Industries GmbH

Max-Eyth-Straße 10, 71364 Winnenden, Germany

SIMBOLI



ATTENZIONE! AVVERTENZA! PERICOLO!



Leggere attentamente le istruzioni per l'uso prima di mettere in funzione l'elettro utensile.



Durante l'uso dell'apparecchio utilizzare sempre gli occhiali di protezione.



Indossare guanti protettivi!



Non usare su o intorno a circuiti attivi



Non usare mentre si è in piedi su una scala



Prima di iniziare togliere la batteria dalla apparecchiatura.



Accessorio - Non incluso nella dotazione standard, disponibile a parte come accessorio.





I dispositivi elettrici, le batterie e le batterie ricaricabili non devono essere smaltiti con i rifiuti domestici. I dispositivi elettrici e le batterie devono essere raccolti separatamente e devono essere conferiti ad un centro di riciclaggio per lo smaltimento rispettoso dell'ambiente. Chiedere alle autorità locali o al rivenditore specializzato dove si trovano i centri di riciclaggio e i punti di raccolta.

n₀ Numero di giri a vuoto

V Voltaggio

 Corrente continua

 Marchio di conformità europeo

 Marchio di conformità britannico

 Marchio di conformità ucraino

 Marchio di conformità euroasiatico



DATOS TÉCNICOS		M18 FPFT
Cinta pasacable		
Número de producción	4749 40 01... ... 000001-999999	
Voltaje de batería	18 V	
Velocidad en vacío	0 - 37 min ⁻¹	
Longitud del tambor de cinta pasacable de acero	37 m	73 m
Ancho del tambor de cinta pasacable de acero	3 mm	
Peso de acuerdo con el procedimiento EPTA 01/2014 (Li-Ion 2,0 Ah...12,0 Ah)	7,13...8,19 kg	8,43...9,49 kg
Longitud del tambor de cinta no conductiva	30 m	61 m
Peso de acuerdo con el procedimiento EPTA 01/2014 (Li-Ion 2,0 Ah...12,0 Ah) (No conductiva)	6,43...7,49 kg	7,03...8,09 kg
Temperatura ambiente recomendada para la operación	-18°C... +50°C	
Juegos de baterías recomendados	M18...	
Cargadores recomendados	M12-18...	
Información sobre ruidos		
Determinación de los valores de medición según norma EN 62841. El nivel de ruido típico del aparato determinado con un filtro A corresponde a:		
Presión acústica (Tolerancia K=3dB(A))	71,45 dB (A)	
Resonancia acústica (Tolerancia K=3dB(A))	82,45 dB (A)	
Usar protectores auditivos!		
Informaciones sobre vibraciones		
Nivel total de vibraciones (suma vectorial de tres direcciones) determinado según EN 62841.		
Valor de vibraciones generadas a _h	0,64 m/s ²	
Tolerancia K=	1,5 m/s ²	



ADVERTENCIA

El nivel de emisión de ruido y vibración indicado en esta hoja informativa se ha medido de acuerdo con una prueba estandarizada que figura en EN 62841 y se puede usar para comparar una herramienta con otra. Puede ser empleado para una evaluación preliminar de la exposición.

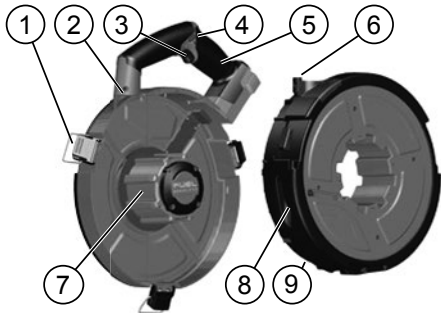
El nivel declarado emisión de vibración y ruido representa las principales aplicaciones de la herramienta. Sin embargo, si la herramienta se utiliza para diferentes aplicaciones, con diferentes accesorios o con un mantenimiento deficiente, la emisión de ruido y vibración puede diferir. Esto puede aumentar significativamente el nivel de exposición durante el periodo total de trabajo.

También se debe tener en cuenta una estimación del nivel de exposición a la vibración y el ruido cuando la herramienta está apagada o cuando está funcionando, pero no está haciendo su trabajo. Esto puede reducir significativamente el nivel de exposición durante el periodo total de trabajo.

Identifique medidas de seguridad adicionales para proteger al operador de los efectos de la vibración o el ruido, como realizar mantenimiento de la herramienta y los accesorios, mantener las manos calientes y organizar las pautas de trabajo.

¡Utilice protección auditiva! La exposición a niveles de ruido excesivos puede causar la pérdida de audición.

⚠ ADVERTENCIA! Lea las indicaciones de seguridad, instrucciones, descripciones y datos que se incluyen en el aparato. En caso de no atenerse a las instrucciones siguientes, ello puede provocar una electrocución, incendio y/o lesiones serias. **Guardar todas las advertencias de peligro e instrucciones para futuras consultas.**



Descripción del dispositivo

- ① Cierres
- ② Muesca de la boquilla
- ③ Disparador
- ④ Interruptor de control
- ⑤ Manija
- ⑥ Boquilla
- ⑦ Cubo
- ⑧ Agarres del tambor
- ⑨ Tambor

ADVERTENCIA DE SEGURIDAD PARA LA CINTA PASACABLE

No utilizar sobre o cerca de circuitos energizados Actúe con precaución al trabajar cerca de equipamiento eléctrico. Al hacerla pasar a través de un conducto que contenga cualquier otro cable, asegúrese de que se haya apagado o desconectado la fuente de corriente que alimenta dichos cables.

Mantenga una posición de equilibrio adecuado cuando lleve a cabo operaciones de tracción. No tire del cable subido a una escalera. Si se encuentra un obstáculo o una resistencia, la escalera podría volverse inestable, lo que podría derivar en una pérdida de equilibrio o de control.

Use siempre el sentido común y tenga cuidado al utilizar herramientas. No es posible anticipar cada situación que podría provocar un resultado peligroso. No utilice esta herramienta si no entiende estas instrucciones de funcionamiento o si cree que el trabajo va más allá de sus capacidades; comuníquese con Milwaukee Tool o con un profesional capacitado para obtener información adicional o capacitación.

ADVERTENCIA! Parte del polvo creado por el lijado eléctrico, el aserrado, el desbaste, el taladrado y otras actividades de construcción contienen sustancias químicas que se sabe que causan cáncer, defectos de nacimiento u otros daños reproductivos. Algunos ejemplos de estos químicos son:

- el plomo de la pintura a base de plomo
- el sílice cristalino de ladrillos y cemento y otros productos de albañilería, y
- el arsénico y el cromo de la madera tratada químicamente.

El riesgo de estas exposiciones varía según la frecuencia con la que realice este tipo de trabajo.

Para reducir su exposición a estos productos químicos, trabaje en un área bien ventilada y trabaje con los equipos de seguridad aprobados, como máscaras contra el polvo especialmente diseñadas para filtrar partículas microscópicas.

No retirar las etiquetas ni las placas de características.

Estas placas contienen informaciones importantes. Si faltan estas placas indicativas o dejan de ser legibles, póngase en contacto con el servicio de atención al cliente de MILWAUKEE para recibir un recambio de forma gratuita.

INSTRUCCIONES ADICIONALES DE SEGURIDAD Y LABORALES

Utilice el equipamiento de protección. Mientras trabaje con la máquina lleve siempre gafas protectoras. Se recomienda utilizar ropa de protección como máscara protectora contra el polvo, guantes protectores, calzado resistente y antideslizante, casco y protección para los oídos.

El polvo que se produce durante estos trabajos puede ser nocivo a la salud; es por ello aconsejable que no penetre al cuerpo. Utilice por ello una máscara protectora contra polvo.

No se deben trabajar materiales que conlleven un riesgo para la salud (por ej. amianto).

¡En caso de que se bloquee el útil, el aparato se debe desconectar inmediatamente! No vuelva a conectar el aparato, mientras el útil esté bloqueado; se podría producir un rechazo debido a la reacción de retroceso brusca. Averigüe y elimine la causa del bloqueo del útil, teniendo en cuenta las indicaciones de seguridad.

Retire la batería antes de comenzar cualquier trabajo el aparato.

No tire las baterías usadas a la basura ni al fuego. Los Distribuidores Milwaukee ofrecen un servicio de recogida de baterías antiguas para proteger el medio ambiente.

No almacene la batería con objetos metálicos (riesgo de cortocircuito).

En caso de sobrecarga o alta temperatura, pueden llegar a producirse escapes de ácido provenientes de la batería. En caso de contacto con éste, limpie inmediatamente la zona con agua y jabón. Si el contacto es en los ojos, límpiense concienzudamente con agua durante 10 minutos y acuda inmediatamente a un médico.

Para reducir el riesgo de incendio, lesiones personales y daños al producto debido a un cortocircuito, no sumerja nunca la herramienta, el paquete de baterías o el cargador en líquido ni permita que fluya un fluido dentro de ellos. Los fluidos corrosivos o conductivos, como el agua de mar, ciertos productos químicos industriales y blanqueadores o lejías que contienen, etc., Pueden causar un cortocircuito.

Recargar solamente los acumuladores del Sistema M18 en cargadores M18. No intentar recargar acumuladores de otros sistemas.

No abra nunca las baterías ni los cargadores y guárdelos sólo en lugares secos. Protéjalos de la humedad en todo momento.

APLICACIÓN DE ACUERDO A LA FINALIDAD

La cinta pasacable es una herramienta ideal a utilizar para pasar cables a través de paredes y de conductos.

BATERIA

Las baterías no utilizadas durante cierto tiempo deben ser recargadas antes de usar.

Las temperaturas superiores a 50°C reducen el rendimiento de la batería. Evite una exposición excesiva a fuentes de calor o al sol (riesgo de sobrecalentamiento).

Los puntos de contacto de los cargadores y las baterías se deben mantener limpios.

Para un tiempo óptimo de vida, deberán cargarse las baterías completamente después de su uso.

Para garantizar la máxima capacidad y vida útil, las baterías recargables se deberían retirar del cargador una vez finalizada la carga.

En caso de almacenar la batería recargable más de 30 días:

Almacenar la batería recargable en un lugar seco a una temperatura de aproximadamente 27°C. Almacenar la batería recargable con un estado de carga del 30% y 50% aproximadamente. Recargar la batería cada 6 meses.

TRANSPORTE DE BATERÍAS DE IONES DE LITIO

Las baterías de iones de litio caen bajo las disposiciones legales relativas al transporte de mercancías peligrosas.

El transporte de estas baterías recargables debe llevarse a cabo, observando las normas y disposiciones locales, nacionales e internacionales.

Los consumidores pueden transportar estas baterías recargables sin el menor reparo en la calle.

El transporte comercial de baterías recargables de iones de litio por empresas de transportes está sometido a las disposiciones del transporte de mercancías peligrosas. Las preparaciones para el envío y el transporte deben ser llevados a cabo exclusivamente por personas instruidas adecuadamente. El proceso completo debe ser supervisado por personal competente.

Los siguientes puntos se deben observar para el transporte de las baterías recargables:

Se debe asegurar que los contactos estén protegidos y aislados para evitar que se produzcan cortocircuitos. Preste atención a que el conjunto de baterías recargables no se pueda desplazar dentro del envase. Las baterías recargables deterioradas o derramadas no se deben transportar. Rogamos que para cualquier información adicional se dirija a su empresa de transportes.



E

PROTECCIÓN CONTRA SOBRECARGA DE LA BATERÍA

En caso de sobrecarga de la batería a causa de un consumo de corriente demasiado elevado, por ejemplo, en momentos de torsión extremadamente altos, de una parada o cortocircuito repentinos; el aparato eléctrico vibra durante 5 segundos, el indicador de carga parpadea y el aparato eléctrico se desconecta automáticamente. Para conectarlo de nuevo, soltar el botón de encendido y después conectarlo otra vez.

Bajo cargas extremas la batería se calienta demasiado. En este caso, todas las luces del indicador de carga parpadean hasta que la batería se enfría. Cuando se apaga el indicador de carga se puede trabajar de nuevo.

Meta entonces la batería en el cargador para recargarla otra vez y activarla.

CONSEJOS ADICIONALES PARA EL USO

Sujete la cinta pasacable durante el uso.

Véase la sección de imágenes para consultar el funcionamiento normal.

Monitoree la cinta pasacable mientras la extiende. Cuando se aproxime a su extensión completa, la cinta pasacable estará marcada en color amarillo. Una vez sea visible el color amarillo, deje extender la cinta. Si sigue extendiendo la cinta, podría dañar o romper la cinta pasacable.

Antes hacer pasar la cinta, sea consciente de su entorno y de peligros potenciales para usted y terceros en caso de que la cinta se rompa liberándose al tirar de ella.

INDICACIÓN: Si se bloquea la herramienta, soltar inmediatamente el disparador. No fuerce la tracción en caso de resistencia o de un obstáculo. En su lugar, retire el cable y elimine la obstrucción.

Para retraer la cinta pasacable, mueva el interruptor de control a la posición de retracción y accione el gatillo. Detenga la tracción una vez la cinta pasacable haya alcanzado la posición inicial. Si sigue retrayendo la cinta, podría dañar o romper el tambor.

Si la herramienta se apaga durante la alimentación:

- Suelte el gatillo.
- Pulse el interruptor de control a la posición de Retracción.
- Apriete el gatillo durante 3-4 segundos.
- Pulse el interruptor de control a la posición de Alimentación.
- Apriete el gatillo e intente alimentar de nuevo.
- Repita los pasos anteriores hasta 5 veces si es necesario.
- Si la herramienta continúa apagándose durante la alimentación, el tambor debe reemplazarse.

Si la cinta no conductora comienza a retraerse en el tambor durante la alimentación:

- Suelte el gatillo.
- Pulse el interruptor de control a la posición de Retracción.
- Agarre la cinta justo fuera del tambor con un firme apretón.
- Apriete el gatillo aplicando tensión a la cinta con la otra mano mientras la cinta vuelve al tambor.
- Suelte el gatillo.
- Pulse el interruptor de control a la posición de Alimentación.
- Apriete el gatillo e intente alimentar de nuevo.
- Repita los pasos anteriores hasta 5 veces si es necesario.
- Si la herramienta continúa retrayéndose durante la alimentación, el tambor debe reemplazarse.

MANTENIMIENTO

Retire la batería antes de comenzar cualquier trabajo el aparato. Pasar un trapo y limpiar el cable expuesto y volver a introducirlo en el tambor.

Antes de guardar el limpiador de tubos, extraer el cable por completo. Limpiar el cable y enrollarlo dejándolo ligeramente suelto. Utilice solamente accesorios y repuestos Milwaukee. En caso de necesitar reemplazar componentes no descritos, contacte con cualquiera de nuestras estaciones de servicio Milwaukee (consultar lista de servicio técnicos)

En caso necesario, puede solicitar un despiece de la herramienta. Por favor indique el número de impreso que hay en la etiqueta y pida el despiece a la siguiente dirección: Techtronic Industries GmbH, Max-Eyth-Straße 10, 71364 Winnenden, Germany.

DECLARACION DE CONFORMIDAD CE

Declaramos bajo nuestra única responsabilidad que el producto descrito bajo „Datos técnicos“ cumple todas las disposiciones pertinentes de las directivas:

2011/65/UE (RoHS)

2006/42/CE

2014/30/UE

y que se han implementado y estándares

EN 62841-1:2015+AC:2015

EN 55014-1:2017+A11:2020

EN 55014-2:2015

EN IEC 63000:2018



Winnenden, 2020-09-21

Alexander Krug / Managing Director
Autorizado para la redacción de los documentos técnicos.
Techtronic Industries GmbH
Max-Eyth-Straße 10, 71364 Winnenden, Germany

SÍMBOLOS



¡ATENCIÓN! ¡ADVERTENCIA! ¡PELIGRO!



Lea las instrucciones detenidamente antes de conectar la herramienta



Para trabajar con la máquina, utilizar siempre gafas de protección.



Usar guantes protectores



No utilizar sobre o cerca de circuitos energizados



No utilizar subido a una escalera



Retire la batería antes de comenzar cualquier trabajo el aparato.



Accesorio - No incluido en el equipo estándar, disponible en la gama de accesorios.



Los electrodomésticos y las baterías/acumuladores no se deben eliminar junto con la basura doméstica. Los aparatos eléctricos y los acumuladores se deben recoger por separado y se deben entregar a una empresa de reciclaje para una eliminación respetuosa con el medio ambiente. Infórmese en las autoridades locales o en su tienda especializada sobre los centros de reciclaje y puntos de recogida.

n₀ Velocidad en vacío

V Tensión

 Corriente continua



Marcado de conformidad europeo



Marcado de conformidad británico



Marcado de conformidad ucraniano



Marcado de conformidad euroasiático



CARACTERÍSTICAS TÉCNICAS	M18 FPFT	
Guia Tira Cabos		
Número de produção	4749 40 01... ... 000001-999999	
Tensão do acumulador	18 V	
Velocidade em vazio	0 - 37 min ⁻¹	
Comprimento da guia tira cabos em aço (tambor)	37 m	73 m
Largura da guia tira cabos em aço (tambor)	3 mm	
Peso nos termos do procedimento-EPTA 01/2014 (Li-Ion 2,0 Ah...12,0 Ah)	7,13...8,19 kg	8,43...9,49 kg
Comprimento da guia tira cabos não condutora (tambor)	30 m	61 m
Peso nos termos do procedimento-EPTA 01/2014 (Li-Ion 2,0 Ah...12,0 Ah) (Não Condutora)	6,43...7,49 kg	7,03...8,09 kg
Temperatura ambiente recomendada para a operação	-18°C... +50°C	
Conjuntos de baterias recomendados	M18...	
Carregadores recomendados	M12-18...	
Informações sobre ruído	Valores de medida de acordo com EN 62841. O nível de ruído avaliado A do aparelho é tipicamente:	
Nível da pressão de ruído (Incertez K=3dB(A))	71,45 dB (A)	
Nível da potência de ruído (Incertez K=3dB(A))	82,45 dB (A)	
Use protectores auriculares!		
Informações sobre vibração	Valores totais de vibração (soma dos vectores das três direcções) determinadas conforme EN 62841.	
Valor de emissão de vibração a _h	0,64 m/s ²	
Incerteza K=	1,5 m/s ²	



Por

ATENÇÃO

O nível de emissão de ruído e vibração fornecido nesta ficha de informações foi medido de acordo com um teste padronizado que se encontra na norma EN 62841, podendo ser utilizado para fazer comparações entre ferramentas. Pode ser utilizado para fazer uma avaliação preliminar da exposição.

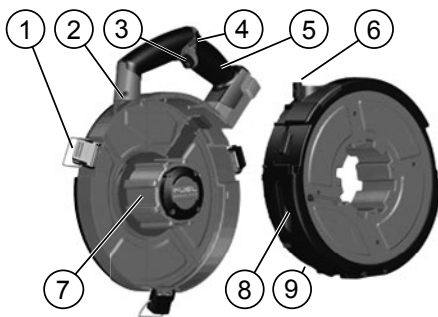
O nível de emissão de ruído e vibração declarado representa as principais aplicações da ferramenta. No entanto, se a ferramenta for utilizada para aplicações diferentes ou com acessórios distintos, ou se a sua manutenção for deficiente, a emissão de ruídos e vibrações poderá diferir. Isso poderá aumentar significativamente o nível de exposição ao longo do período de trabalho total.

A estimativa do nível de exposição à vibração e ruído também deve ter em conta os tempos em que a ferramenta, quer desligada quer em funcionamento, não está realmente a trabalhar. Isso poderá reduzir significativamente o nível de exposição ao longo do período de trabalho total.

Identifique medidas de segurança adicionais para proteger o operador contra os efeitos da vibração e/ou ruído, tais como: fazer a manutenção da ferramenta e dos acessórios, manter as mãos quentes, organizar padrões de trabalho.

Sempre use a protecção dos ouvidos. Os ruídos podem causar surdez.

⚠ ATENÇÃO! Ler todas as indicações de segurança, instruções, representações e dados fornecidos juntamente com o aparelho. O desrespeito das seguintes instruções pode levar a um choque eléctrico, incêndio e/ou graves lesões. **Guarde bem todas as advertências e instruções para futura referência.**



Descrição do dispositivo

- ① Engates
- ② Entalhe da ponteira
- ③ Gatilho
- ④ Interruptor de controlo
- ⑤ Pega
- ⑥ Ponteira
- ⑦ Unidade
- ⑧ Pegas do tambor
- ⑨ Tambor

AVISOS DE SEGURANÇA DA GUIA TIRA CABOS

Não utilizar em circuitos ligados à corrente ou nas suas proximidades Tenha muito cuidado, ao trabalhar perto de equipamento elétrico. Ao puxar a guia tira cabos através de uma conduta que contenha quaisquer outros fios, certifique-se de que a alimentação desses fios foi cortada ou desligada.

Ao realizar operações de puxar, mantenha-se devidamente apoiado e equilibrado. Não puxe em cima de uma escada. Se for encontrado algum obstáculo ou ponto de resistência, a escada poderá tornar-se instável e levar, potencialmente, a uma perda de equilíbrio ou controlo.

Ao utilizar ferramentas, faça-o sempre com bom senso e cautela. Não é possível prever todas as situações potencialmente conducentes a um resultado perigoso. Se não entender estas instruções ou achar que o trabalho excede a sua capacidade, não utilize esta ferramenta. Contacte a Milwaukee Tool ou um profissional credenciado, a fim de obter informações adicionais ou formação.

ATENÇÃO! Algumas poeiras originadas pelo lixamento, serragem, rebarbagem, furação e outra atividades de construção contêm substâncias químicas causadoras de cancro, deformações congénitas ou outros danos reprodutivos. Alguns exemplos destes produtos químicos são:

- chumbo proveniente de tintas à base de chumbo
- sílica cristalina proveniente de tijolos, cimento e outros produtos de alvenaria, e
- arsénico e cromo provenientes de madeiras tratadas quimicamente.

O seu risco associado a estas exposições é variável, dependendo da quantidade de vezes que realiza este tipo de trabalho.

Para reduzir a sua exposição a estes produtos químicos, trabalhe numa área bem ventilada e com equipamento de segurança aprovado, como máscaras de poeira especialmente concebidas para filtrar partículas microscópicas.

Não remova as etiquetas e as placas de identificação. Elas contêm informações importantes. Se estas placas estiverem ilegíveis ou faltarem, contacte a assistência técnica da MILWAUKEE para que sejam substituídas.

INSTRUÇÕES DE SEGURANÇA E TRABALHO SUPLEMENTARES

Utilizar equipamento de protecção. Durante os trabalhos com a máquina, usar sempre óculos de protecção. Vestuário de protecção, bem como máscara de pó, sapatos fechados e antiderrapante, capacete e protecção auditiva são recomendados.

O pó que resulta ao trabalhar pode ser nocivo para a saúde, por isso não devendo penetrar no corpo. Use uma máscara de protecção contra pó apropriada.

Não devem ser processados materiais que representem um perigo para a saúde (p. ex. asbesto).

Desligue o aparelho imediatamente, quando a ferramenta de inserção bloquear! Não ligue o aparelho novamente durante o bloqueio da ferramenta de inserção, pois isso pode levar a um recuo repentino com uma alta força reactiva. Verifique e elimine a causa do bloqueio da ferramenta de inserção, observando as instruções de segurança.

Antes de efectuar qualquer intervenção o aparelho retirar o bloco acumulador.

Não queimar acumuladores gastos nem deitá-los no lixo doméstico. A Milwaukee possui uma eliminação de acumuladores gastos que respeita o meio ambiente.

Não guardar acumuladores junto com objectos metálicos (perigo de curto-circuito).

Em caso de cargas ou temperaturas extremas, um acumulador de substituição danificado poderá verter líquido de bateria. Se entrar em contacto com este líquido, deverá lavar-se imediatamente com água e sabão. Em caso de contacto com os olhos, enxagúe-os bem e de imediato durante pelo menos 10 minutos e consulte um médico o mais depressa possível.

Para evitar o risco de incêndio, de feridas ou de danificação do produto causado por um curto-circuito, não imerja a bateria intercambiável ou o carregador em líquidos e assegure-se de que líquidos não penetrem nos aparelhos ou nas baterias. Líquidos corrosivos ou condutivos como água salgada, determinadas substâncias químicas ou produtos que contenham branqueadores podem causar um curto-circuito.

Use apenas carregadores do Sistema M18 para recarregar os acumuladores do Sistema M18. Não utilize acumuladores de outros sistemas.

Carregadores só devem ser utilizados em recintos secos.

UTILIZAÇÃO AUTORIZADA

A guia tira cabos é uma ferramenta ideal para ser utilizada no enca-minhamento de cablagem através de paredes e condutas elétricas.

ACUMULADOR

Acumuladores não utilizados durante algum tempo devem ser recarregados antes da sua utilização.

Temperaturas acima de 50°C reduzem a capacidade do bloco acumulador. Evitar exposição prolongada ao sol ou a caloríferos.

Manter limpos os contactos eléctricos no carregador e no bloco acumulador.

Para uma vida útil óptima das baterias, terá que carregá-las plenamente após a sua utilização.

Para assegurar uma vida útil longa, o pacote de bateria deve ser removido da carregadora depois do carregamento.

Se o pacote de bateria for armazenado por mais de 30 dias: Armazene o pacote de bateria com aprox. 27°C em um lugar seco. Armazene o pacote de bateria com aprox. 30%-50% da carga completa. Carregue o pacote de bateria novamente de 6 em 6 meses.

TRANSPORTE DE BATERIAS DE IÃO-LÍLIO

Baterias de ião-lítio estão sujeitas às disposições da legislação relativa às substâncias perigosas.

O transporte destas baterias deve ser efetuado de acordo com as disposições e os regulamentos locais, nacionais e internacionais. O utilizador pode efetuar o transporte rodoviário destas baterias sem restrições.

O transporte comercial de baterias de ião-lítio por terceiros está sujeito aos regulamentos relativos às substâncias perigosas. A preparação do transporte e o transporte devem ser executados exclusivamente por pessoas instruídas e o processo deve ser acompanhado pelos especialistas correspondentes.

Observe o seguinte no transporte de baterias:

Assegure-se de que os contactos terminais estejam protegidos e isolados para evitar um curto-circuito. Assegure-se de que o bloco da bateria esteja protegido contra movimentos na embalagem. Não transporte baterias danificadas ou que tenham fuga. Para instruções mais detalhadas consulte a companhia de transportes



Por

PROTECÇÃO DE SOBRECARGA DE BATERIA

No caso de sobrecarga da bateria devido a um consumo de corrente demasiado elevado, por exemplo um binário de rotação extremamente elevado, uma paragem repentina ou um curto-circuito, a ferramenta eléctrica vibra durante 5 segundos, o indicador de carregamento de bateria começa a piscar e a ferramenta eléctrica desliga-se automaticamente.

Para a ligar novamente, desligar e voltar a ligar o interruptor Sob condições extremas, a bateria aquece demasiado. Nesse caso, todas as luzes do indicador de carregamento de bateria piscam até que esta arrefeça. Após as luzes do indicador de carregamento de bateria se apagarem, pode-se continuar a trabalhar.

Voltar então a colocar o acumulador no carregador para o carregar de novo e para assim o activar.

DICAS SUPLEMENTARES PARA A UTILIZAÇÃO

Durante a utilização, mantenha a guia tira cabos apoiada.

Para saber como efectuar o procedimento normal, consulte a secção de imagens.

Monitorize a guia tira cabos enquanto estiver a esticá-la. Quando a fita tiver sido esticada em praticamente toda a sua extensão, aparecerá uma marca pintada a amarelo. Assim que a marca pintada a amarelo ficar visível, pare de esticar. Se continuar a esticar, a guia tira cabos poderá danificar-se ou partir-se.

Antes de puxar o fio, verifique o ambiente circundante quanto a potenciais perigos para o utilizador ou para terceiros, se a guia tira cabos se soltar enquanto estiver a ser puxada.

NOTA: Se a ferramenta ficar emperrada, solte o interruptor imediatamente. Se encontrar algum obstáculo ou ponto de resistência, não tente puxar a guia tira cabos à força. Em vez disso, retire o fio e elimine a obstrução.

Para recolher a guia tira cabos, passe o interruptor de controlo para a posição de recolha e prima o gatilho. Assim que a guia tira cabos regressar à posição inicial, pare de a recolher. Se continuar a recolhê-la, a guia tira cabos poderá danificar-se ou partir o tambor.

Se a ferramenta se desligar durante a alimentação:

- Solte o dispositivo de bloqueio.
- Empurre o interruptor de controlo para a posição de retração.
- Puxe o dispositivo de bloqueio durante 3-4 segundos.
- Empurre o interruptor de controlo para a posição de alimentação.
- Puxe o dispositivo de bloqueio e tente novamente a alimentação.
- Se necessário, repita até 5 vezes os passos acima mencionados.
- Se a ferramenta continuar a desligar-se durante a alimentação, o tambor terá de ser substituído.

Se a fita não condutora começar a retrair-se para o tambor durante a alimentação:

- Solte o dispositivo de bloqueio.
- Empurre o interruptor de controlo para a posição de retração.
- Segure a fita do lado de fora do tambor com um movimento de aperto de mão firme.
- Puxe o dispositivo de bloqueio e aplique tensão na fita com a outra mão, enquanto a fita é puxada para dentro do tambor.
- Solte o dispositivo de bloqueio.
- Empurre o interruptor de controlo para a posição de alimentação.
- Puxe o dispositivo de bloqueio e tente novamente a alimentação.

- Se necessário, repita até 5 vezes os passos acima mencionados.
- Se a ferramenta continuar a retrair-se durante a alimentação, o tambor terá de ser substituído.

MANUTENÇÃO

Antes de efectuar qualquer intervenção o aparelho retirar o bloco acumulador.

Limpe a espiral exposta com um pano e insira-a novamente no tambor.

Extraia a espiral completamente antes de armazenar o limpador de tubos. Limpe e enrole a espiral, de forma solta.

Utilizar apenas acessórios Milwaukee e peças sobresselentes Milwaukee. Os componentes cuja substituição não esteja descrita devem ser substituídos num serviço de assistência técnica Milwaukee (consultar a brochura relativa à garantia/moradas dos serviços de assistência técnica).

A pedido e mediante indicação da referência que consta da chapa de características da máquina, pode requerer-se um desenho explosivo da ferramenta eléctrica a: Techtronic Industries GmbH, Max-Eyth-Straße 10, 71364 Winnenden, Germany.

DECLARAÇÃO DE CONFORMIDADE CE

Declaramos, sob a nossa inteira responsabilidade, que o produto descrito em «Dados Técnicos» cumpre todas as disposições relevantes das diretivas:

2011/65/UE (RoHS)

2006/42/CE

2014/30/UE

tendo sido seguidas as seguintes normas harmonizadas

EN 62841-1:2015+AC:2015

EN 55014-1:2017+AT1:2020

EN 55014-2:2015

EN IEC 63000:2018



Winnenden, 2020-09-21

Alexander Krug / Managing Director
Autorizado a reunir a documentação técnica.
Techtronic Industries GmbH
Max-Eyth-Straße 10, 71364 Winnenden, Germany

SYMBOLE



ATENÇÃO! PERIGO!



Leia atentamente o manual de instruções antes de colocar a máquina em funcionamento.



Usar sempre óculos de protecção ao trabalhar com a máquina.



Use luvas de protecção!



Não utilizar em circuitos ligados à corrente ou nas suas proximidades



Não utilizar em cima de escadas



Antes de efectuar qualquer intervenção o aparelho retirar o bloco acumulador.



Accessório - Não incluído no equipamento normal, disponível como acessório.



Aparelhos eléctricos, baterias/acumuladores não devem ser jogados no lixo doméstico. Os aparelhos eléctricos e as baterias devem ser colectados separadamente e entregues a uma empresa de reciclagem para a eliminação correcta. Solicite informações sobre empresas de reciclagem e postos de colecta de lixo das autoridades locais ou do seu vendedor autorizado.

n₀ Velocidade em vazio

V Tensão

 Corrente contínua



Marca de Conformidade Europeia



Marca de Conformidade Britânica



Marca de Conformidade Ucraniana



001
Marca de Conformidade Eurasiática



TECHNISCHE GEGEVENS	M18 FPFT	
Trekveer		
Productienummer	4749 40 01... ... 000001-999999	
Spanning wisselakku	18 V	
Onbelast toerental	0 - 37 min ⁻¹	
Lengte stalen trekveer	37 m	73 m
Breedte stalen trekveer	3 mm	
Gewicht volgens de EPTA-procedure 01/2014 (Li-Ion 2,0 Ah...12,0 Ah)	7,13...8,19 kg	8,43...9,49 kg
Lengte trekveer niet-geleidend	30 m	61 m
Gewicht volgens de EPTA-procedure 01/2014 (Li-Ion 2,0 Ah...12,0 Ah) (Niet-geleidend)	6,43...7,49 kg	7,03...8,09 kg
Aanbevolen omgevingstemperatuur voor het bedrijf	-18°C... +50°C	
Aanbevolen accupacks	M18...	
Aanbevolen laadtoestellen	M12-18...	
Geluidsinformatie		
Meetwaarden vastgesteld volgens EN 62841. Het kenmerkende A-gewogen geluidsniveau van de machine bedraagt:		
Geluidsdrukniveau (Onzekerheid K=3dB(A))	71,45 dB (A)	
Geluidsvermogeniveau (Onzekerheid K=3dB(A))	82,45 dB (A)	
Draag oorbeschermers!		
Trillingsinformatie		
Totale trillingswaarden (vectorsom van drie richtingebepaald volgens EN 62841.		
Trillingsemisiewaarde a _n	0,64 m/s ²	
Onzekerheid K=	1,5 m/s ²	



WAARSCHUWING

De in dit informatieblad vermelde trillings- en geluidsniveaus zijn gemeten in overeenstemming met een standaard testmethode conform EN 62841 en kunnen worden gebruikt om gereedschap met elkaar te vergelijken. Deze kunnen ook worden gebruikt voor het vooraf evalueren van de blootstelling.

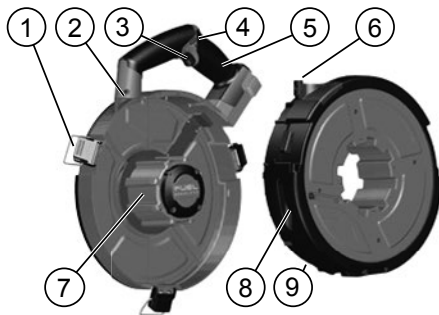
De vermelde trillings- en geluidsniveaus gelden voor de meest gebruikelijke toepassingen van het gereedschap. Wanneer het gereedschap echter voor andere doeleinden of met andere hulpstukken gebruikt wordt of niet naar behoren onderhouden wordt, kan de mate van blootstelling over de hele werkperiode aanzienlijk hoger uitvallen.

Voor een nauwkeurige inschatting van de blootstelling aan trillingen en geluid moet ook de tijd in aanmerking worden genomen die het apparaat uitgeschakeld is of weliswaar loopt, maar niet werkelijk in gebruik is. Dit kan de waarde van de mate aan blootstelling over de hele werkperiode aanzienlijk verminderen.

Bepaal extra veiligheidsmaatregelen ter bescherming van de gebruiker tegen de gevolgen van trillingen en/of geluid, bijvoorbeeld: onderhoud van het gereedschap en hulpstukken, warmhouden van de handen, organisatie van de werkprocessen.

Draag oorbeschermers. Lawaai kan gehoorverlies veroorzaken.

⚠ WAARSCHUWING! Lees en bekijk alle veiligheidsaanwijzingen, aanwijzingen, afbeeldingen en gegevens die u bij het apparaat ontvangt. Als u de volgende aanwijzingen niet in acht neemt, kunnen een elektrische schok, brand en/of ernstig letsel het gevolg zijn. **Bewaar alle waarschuwingen en voorschriften voor toekomstig gebruik.**



Beschrijving van het apparaat

- ① Vergrendelingen
- ② Uitsparing voor uitgang
- ③ Hendel
- ④ Bedieningsschakelaar
- ⑤ Handgreep
- ⑥ Uitgang
- ⑦ Haspel
- ⑧ Trommelgrepen
- ⑨ Trommel

⚠ VEILIGHEIDSWAARSCHUWINGEN VOOR TREKVEER

Niet gebruiken op of in de buurt van stroomcircuits onder spanning Wees uiterst voorzichtig wanneer u in de buurt van elektrische apparatuur werkt. Als u door een buis trekt die andere draden bevat, zorg er dan voor dat de stroom naar die draden is uitgeschakeld of losgekoppeld.

Zorg dat uw voeten stevig op de grond staan en uw lichaam steeds in balans is als u de trekveer gebruikt. Gebruik de trekveer niet als u op een ladder staat. Als de draad ingeklemd raakt of op weerstand stoot, kan een ladder onstabiel worden, wat kan leiden tot een verlies van evenwicht of controle.

Gebruik altijd uw gezond verstand en wees voorzichtig bij het gebruik van gereedschap. Het is niet mogelijk om elke situatie te anticiperen die zou kunnen leiden tot gevaar. Gebruik dit gereedschap niet als u deze gebruiksaanwijzing niet begrijpt of denkt dat de werkzaamheden te moeilijk voor u zijn; neem contact op met Milwaukee Tool of een opgeleide professional voor aanvullende informatie of training.

WAARSCHUWING! Stof dat wordt gecreëerd door elektrische schuren, zagen, slijpen, boren en andere bouwwerkzaamheden kan chemische stoffen bevatten, waarvan bekend is dat deze kanker, geboortefwijkingen of andere vruchtbaarheidsproblemen veroorzaken. Enkele voorbeelden van deze chemische stoffen zijn:

- lood van loodhoudende verf
- kristallijn silica van bakstenen en cement en andere metselproducten, en
- arseen en chroom van chemisch behandeld hout.

Uw risico op blootstelling hieraan verschilt, afhankelijk van hoe vaak u dit soort werkzaamheden uitvoert.

Om blootstelling aan deze chemische stoffen te verlagen: werk in een goed geventileerde ruimte en werk met goedgekeurde veiligheidsuitrusting, zoals ademmaskers die speciaal zijn ontworpen om microscopische deeltjes eruit te filteren.

Etiketten en typeplaatjes mogen niet worden verwijderd. Deze plaatjes bevatten belangrijke informatie. Als deze informatieplaatjes niet meer leesbaar zijn of ontbreken, kunt u voor kosteloze vervanging contact opnemen met de technische dienst van MILWAUKEE.

VERDERE VEILIGHEIDS- EN WERKINSTRUCTIES

Draag veiligheidsuitrusting. Bij werkzaamheden met de machine dient u altijd een veiligheidsbril te dragen. Veiligheidskleding zoals stofmasker, veiligheidshandschoenen, stevig en slipvast schoeisel, helm en gehoorbescherming worden aanbevolen.

Het gedurende het werken vrijkomende stof is doorgaans schadelijk voor de gezondheid en mag niet met het lichaam in aanraking komen. Draag derhalve een geschikt stofbeschermingsmasker.

Het is niet toegestaan, materialen te bewerken waarvan een gezondheidsgevaar uitgaat (bijv. asbest).

Schakel het apparaat onmiddellijk uit als het gereedschap blokkeert! Schakel het apparaat niet in zolang het gereedschap geblokkeerd is; dit zou een terugslag met een hoog reactiemoment kunnen veroorzaken. Achterhaal en verhelp de oorzaak voor de blokkering van het gereedschap met inachtneming van de veiligheidsinstructies.

Voor alle werkzaamheden aan de apparat de accu verwijderen.

Verbruikte accu's niet in het vuur of bij het huisvuil werpen. Milwaukee biedt namelijk een milieuvriendelijke recyclingmethode voor uw oude accu's.

Wisselakku's niet bij metalen voorwerpen bewaren (kortsluitingsgevaar!).

Under extreme belasting of extreme temperaturen kan uit de accu vloeistof lopen. Na contact met accu-vloeistof direct afwassen met water en zeep. Bij oogcontact direct minstens 10 minuten grondig spoelen en onmiddellijk een arts raadplegen.

Vorkom brand, persoonlijk letsel of materiële schade door kortsluiting en dompel het gereedschap, de wisselaccu en het laadtoestel niet onder in vloeistoffen en waarborg dat geen vloeistoffen in de apparaten en accu's kunnen dringen. Corrosieve of geleidende vloeistoffen zoals zout water, bepaalde chemicaliën, bleekmiddelen of producten die bleekmiddelen bevatten, kunnen een kortsluiting veroorzaken.

Wisselakku's van het Akku-Systeem M18 alléén met laadapparaten van het Akku-Systeem M18 laden. Geen accu's van andere systemen laden.

Wisselakku's en laadapparaten niet openen en alleen in droge ruimtes opslaan. Tegen vocht beschermen.

VOORGESCHREVEN GEBRUIK VAN HET SYSTEEM

De trekveer is een ideaal hulpmiddel om bedrading door muren en elektrische leidingen aan te brengen.

AKKU

Langere tijd niet toegepaste wisselakku's vóór gebruik altijd naladen.

Een temperatuur boven de 50°C vermindert de capaciteit van de accu. Langdurige verwarming door zon of hitte vermijden.

De aansluitcontacten aan het laadapparaat en de accu schoonhouden.

Voor een optimale levensduur moeten de accu's na het gebruik volledig opgeladen worden.

Voor een zo lang mogelijke levensduur van de accu's dienen deze na het opladen uit het laadtoestel te worden verwijderd.

Bij een langere opslag van de accu dan 30 dagen: accu bij ca. 27 °C droog bewaren. accu bij ca. 30% - 50% van de laadtoestand bewaren. accu om de 6 maanden opnieuw opladen.

TRANSPORT VAN LITHIUM-IONEN-ACCU'S

Lithium-ionen-accu's vallen onder de wettelijke bepalingen inzake het transport van gevaarlijke goederen.

Voor het transport van deze accu's moeten de lokale, nationale en internationale voorschriften en bepalingen in acht worden genomen.

Verbruikers mogen deze accu's zonder meer over de weg transporteren.

Het commerciële transport van lithium-ionen-accu's door expeditiebedrijven is onderhevig aan de bepalingen inzake het transport van gevaarlijke goederen. De verzendingsvoorbereidingen en het transport mogen uitsluitend worden uitgevoerd door dienovereenkomstig opgeleide personen. Het complete proces moet vakkundig worden begeleid.

Onderstaande punten moeten bij het transport van accu's in acht worden genomen:

Waarborg ter vermijding van kortsluitingen dat de contacten beschermd en geïsoleerd zijn. Let op dat het accupack in de verpakking niet kan verschuiven. Beschadigde of lekkende accu's mogen niet worden getransporteerd. Neem voor meer informatie contact op met uw expeditiebedrijf.



OVERBELASTINGSBEVEILIGING VAN DE ACCU

Bij overbelasting van de accu door zeer hoog stroomverbruik, bijv. extreem hoge draaimomenten, plotseling stoppen of kortsluiting, vibreert het elektrische gereedschap gedurende 5 seconden, de laadweergave knippert en het elektrische gereedschap schakelt automatisch uit.

Om het gereedschap weer in te schakelen, moet u de drukschakelaar loslaten en vervolgens weer inschakelen.

Onder extreme belastingen wordt de accu te heet. In dit geval knippen alle lampen van de laadweergave totdat de accu afgekoeld is. Na het doven van de laadweergave kunt u weer verder werken.

Steek de accu in het laadtoestel om hem weer op te laden en te activeren.

AANVULLENDE TIPS VOOR HET GEBRUIK

Ondersteun de trekveer tijdens gebruik.

Voor normaal gebruik, zie de sectie met afbeelding.

Let op de trekveer als u deze uit de trommel trekt. Als de trekveer bijna helemaal uit de trommel is getrokken, ziet u een gele vermarkering op de trekveer. Trek de trekveer niet verder uit zodra de gele markering zichtbaar is. Door verder te trekken, kan de trekveer beschadigd raken of worden gebroken.

Let op uw omgeving en de mogelijke gevaren voor uzelf en anderen in de buurt voordat u de draad doortrekt, voor het geval dat de trekveer tijdens het trekken losbreekt.

OPMERKING: laat de schakelaar onmiddellijk los zodra het gereedschap blokkeert. Forceer het intrekken niet als de trekveer ingeklemd raakt of op weerstand stoot. Verwijder in plaats daarvan de draad en het obstakel.

Om de trekveer in te trekken, zet u de bedieningsschakelaar in de intrekstand en houdt u de drukknop ingedrukt. Laat de knop los zodra de trekveer is teruggekeerd naar de startpositie. Door de trekveer verder in te trekken, kan de trommel beschadigd raken of worden gebroken.

Als het gereedschap uitvalt tijdens het invoeren:

- laat de AAN/UIT-schakelaar los.
- Druk de bedieningsschakelaar in de terugtrekstand.
- Druk de AAN/UIT-schakelaar 3-4 seconden in.
- Druk de bedieningsschakelaar in de invoerpositie.
- Druk de AAN/UIT-schakelaar in en probeer opnieuw materiaal in te voeren.
- Herhaal de bovenstaande stappen indien nodig maximaal 5 keer.
- Als het gereedschap blijft uitvallen tijdens het invoeren, moet de trommel worden vervangen.

Als de niet-geleide trekveer in de trommel wordt teruggetrokken tijdens het invoeren:

- laat de AAN/UIT-schakelaar los.
- Druk de bedieningsschakelaar in de terugtrekstand.
- grijp de trekveer net buiten de trommel stevig vast.
- Druk de AAN/UIT-schakelaar in en oefen daarbij met de andere hand druk uit op de trekveer terwijl de trekveer terug in de trommel wordt getrokken.
- laat de AAN/UIT-schakelaar los.
- Druk de bedieningsschakelaar in de invoerpositie.
- Druk de AAN/UIT-schakelaar in en probeer opnieuw materiaal in te voeren.
- Herhaal de bovenstaande stappen indien nodig maximaal 5 keer.

- Als het gereedschap blijft terugtrekken tijdens het invoeren, moet de trommel worden vervangen.

ONDERHOUD

Voor alle werkzaamheden aan de apparat de accu verwijderen.

De vrijliggende spiraal met een doek afvegen en weer in de trommel schuiven.

Vóór de opslag van de leidingreiniger moet de spiraal volledig worden uitgetrokken. Reinig de spiraal en rol hem losjes op.

Gebruik uitsluitend Milwaukee toebehoren en onderdelen. Indien componenten die moeten worden vervangen niet zijn beschreven, neem dan contact op met een officieel Milwaukee servicecentrum (zie onze lijst met servicecentra).

Onder vermelding van het nummer op het machineplaatje is desgewenst een doorsnedetekening van de machine verkrijgbaar bij: Techtronic Industries GmbH, Max-Eyth-Straße 10, 71364 Winnenden, Germany.

EC - VERKLARING VAN OVEREENSTEMMING

We verklaren geheel onder eigen verantwoordelijkheid dat het product in de "Technische data" voldoet aan alle relevante bepalingen van de richtlijnen:

2011/65/EU (RoHS)

2006/42/EG

2014/30/EU

en de volgende geharmoniseerde normen zijn gebruikt

EN 62841-1:2015+AC:2015

EN 55014-1:2017+A1:2020

EN 55014-2:2015

EN IEC 63000:2018



Winnenden, 2020-09-21

Alexander Krug / Managing Director

Gemachtigd voor samenstelling van de technische documenten

Techtronic Industries GmbH

Max-Eyth-Straße 10, 71364 Winnenden, Germany

SYMBOLLEN



OPGELET! WAARSCHUWING! GEVAAR!



Graag instructies zorgvuldig doorlezen vóórdat u de machine in gebruik neemt.



Bij het werken met de machine altijd een veiligheidsbril dragen.



Draag veiligheidshandschoenen!



Niet gebruiken op of in de buurt van stroomcircuits onder spanning



Niet gebruiken terwijl u op een ladder staat



Voor alle werkzaamheden aan de apparat de akku verwijderen.



Toebehoren - Wordt niet meegeleverd. Is apart leverbaar. Zie hiervoor het toebehorenprogramma.



Elektrische apparaten, batterijen en accu's mogen niet via het huisafval worden afgevoerd. Elektrische apparaten en accu's moeten gescheiden worden verzameld en voor een milieuvriendelijke afvoer worden afgegeven bij een recyclingbedrijf. Informeer bij uw gemeente of bij uw vakhandelaar naar recyclingbedrijven en inzamelpunten.

n₀ Onbelast toerental

V Spanning

 Gelijkstroom



Europees symbool van overeenstemming



Brits symbool van overeenstemming



Oekraïens symbool van overeenstemming



Euro-Aziatisch symbool van overeenstemming



TEKNISKE DATA	M18 FPFT	
Søgefjeder		
Produktionsnummer	4749 40 01... ... 000001-999999	
Udskiftningsbatteriets spænding	18 V	
Omdrejningstal, ubelastet	0 - 37 min ⁻¹	
Stål tromle søgefjeder længde	37 m	73 m
Stål tromle søgefjeder bredde	3 mm	
Vægt svarer til EPTA-procedure 01/2014 (Li-Ion 2,0 Ah...12,0 Ah)	7,13...8,19 kg	8,43...9,49 kg
Ikke ledende tromle søgefjeder længde	30 m	61 m
Vægt svarer til EPTA-procedure 01/2014 (Li-Ion 2,0 Ah...12,0 Ah) (Ikke ledende)	6,43...7,49 kg	7,03...8,09 kg
Anbefalet omgivelsestemperatur til driften	-18°C... +50°C	
Anbefalede batteripakker	M18...	
Anbefalede opladere	M12-18...	
Støjinformation		
Måleværdier beregnes iht. EN 62841. Værktøjets A-vurderede støjniveau er typisk:		
Lydtrykniveau (Usikkerhed K=3dB(A))	71,45 dB (A)	
Lydeffekt niveau (Usikkerhed K=3dB(A))	82,45 dB (A)	
Brug høreværn!		
Vibrationsinformation		
Samlede vibrationsværdier (værdisum for tre retninger) beregnet iht. EN 62841.		
Vibrationseksponering a _v	0,64 m/s ²	
Usikkerhed K=	1,5 m/s ²	



ADVARSEL

Det vibrations- og støjemissionsniveau, der nævnes i dette oplysningsskema, er blevet målt i overensstemmelse med en standardiseret test fra EN 62841, og det kan bruges til at sammenligne ét værktøj med et andet. Det kan bruges til en foreløbig bedømmelse af eksponeringen.

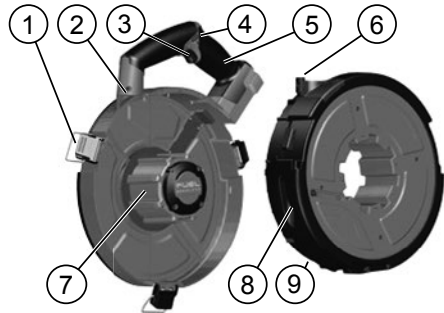
Det erklærede vibrations- og støjemissionsniveau repræsenterer værktøjets primære anvendelsesformål. Det er dog sådan, at hvis værktøjet bruges til andre formål, med forskelligt tilbehør eller dårlig vedligehold, så kan vibrations- og støjemissionen variere. Det kan evt. øge eksponeringsniveauet markant i løbet af det samlede arbejdstidsrum.

En vurdering af eksponeringsniveauet ift. vibration og støj bør også tage hensyn til de tidspunkter, hvor værktøjet er slukket eller hvor det kører, men rent faktisk ikke udfører jobbet. Det kan evt. mindske eksponeringsniveauet markant i løbet af det samlede arbejdstidsrum.

Identificer yderligere sikkerhedsforanstaltninger med henblik på at beskytte brugeren mod effekten af vibration og/eller støj, som fx: vedligehold værktøjet og tilbehøret, hold hænderne varme, organisering af arbejdsmonstre.

Bær høreværn. Støjen kan føre til nedsat hørelse.

⚠ ADVARSEL! Læs alle sikkerhedsanvisninger, anvisninger, instruktioner og data, der følger med enheden. Overholder du ikke følgende instruktioner, kan du få elektrisk stød, der kan opstå brand og /eller du kan blive kvæstet alvorligt. **Opbevar alle advarselshenvisninger og instrukser til senere brug.**



Apparatbeskrivelse

- ① Låse
- ② Dyseåbning
- ③ Udløser
- ④ Styrekontakt
- ⑤ Håndtag
- ⑥ Dyse
- ⑦ Nav
- ⑧ Tromlegribeflader
- ⑨ Tromle

SIKKERHEDSADVARSLER FOR SØGEFJEDER

Benyt ikke på eller i nærheden af strømførende kredsløb
Vær ekstremt forsigtig ved arbejde i nærheden af elektrisk udstyr. Når du trækker kabler gennem kredsløb, som indeholder andre kabler, så vær sikker på, at strømmen til disse kabler er blevet slukket eller afbrudt.

Sørg for at have et godt fodfæste og en god balance, når du trækker. Træk ikke fra en stige. Hvis noget hænger fast eller hvis der er modstand, kan en stige blive ustabil, hvilket kan medføre et farligt udfald. Benyt ikke dette værktøj, hvis du ikke forstår denne brugsanvisning eller føler, at arbejdet overstiger dine evner; kontakt Milwaukee Tool eller en uddannet ekspert for yderligere information eller undervisning.

Brug altid din sunde fornuft og vær forsigtig, når du bruger værktøj. Det er ikke muligt at forudsige enhver situation, som kan medføre et farligt udfald. Benyt ikke dette værktøj, hvis du ikke forstår denne brugsanvisning eller føler, at arbejdet overstiger dine evner; kontakt Milwaukee Tool eller en uddannet ekspert for yderligere information eller undervisning.

ADVARSEL! Nogle former for støv, der opstår pga. elektrisk polering, savning, slibning, boring og andre byggeaktiviteter, indeholder kemikalier, som er kendt for at forårsage kræft, misdannelser eller andre forplantningsmæssige skader. Nogle eksempler på disse kemikalier er:

- bly fra blyholdig maling
- krystallinsk silikat fra mursten og andre murværksprodukter og
- arsen og krom fra kemisk behandlet tømmer.

Din risiko for disse eksponeringer varierer, alt afhængig af hvor ofte du laver denne type arbejde.

Sådan mindsker du din eksponering ift. disse kemikalier: Arbejd i et ventileret område og med godkendt sikkerhedsudstyr, som fx de støvmasker, der er specielt designet til at filtrere mikroskopiske partikler.

Undlad at fjerne mærkater og typeskilte. Disse skilte indeholder vigtige informationer. Hvis oplysningsskiltene ikke længere er læselige eller mangler, bedes du kontakte MILWAUKEE-kundeservice for at få en gratis reservedel.

YDERLIGERE SIKKERHEDS- OG ARBEJDSINFORMATIONER

Brug beskyttelsesudstyr. Bær altid sikkerhedsbriller, når du arbejder med maskinen. Vi anbefaler desuden brug af personlig beskyttelsesudrustning, såsom støvmaske, sikkerhedshandsker, fast og skridsikkert skotøj, hjelm og høreværn.

Støv, som opstår under arbejdet, er ofte sundhedsfarligt og bør ikke trænge ind i kroppen. Benyt egnet åndedrætsværn.

Der må ikke bearbejdes nogen materialer, der kan udgøre en sundhedsrisiko (f.eks. asbest).

Sluk straks for maskinen, hvis indsatsværktøjet er blokeret! Tænd ikke for maskinen igen, så længe indsatsværktøjet er blokeret; dette kan føre til et tilbageslag med højt reaktionsmoment. Find frem til og afhjælp årsagen til indsatsværktøjets blokering under hensyntagen til sikkerhedsinstruktionerne.

Ved arbejde inden i maskinen, bør batteriet tages ud.

Opbrugte udskiftningsbatterier må ikke brændes eller kasseres sammen med alm. husholdningsaffald. Milwaukee har en miljørigtig bortskaffelse af gamle udskiftningsbatterier, henvend Dem til Deres forhandler.

Opbevar ikke udskiftningsbatterier sammen med metalgenstande/deaf fare for kortslutning.

I tilfælde af en ekstrem belastning eller ekstrem temperatur kan der flyde batterivæske ud af et beskadiget batteri. Hvis De kommer i berøring med batterivæsken, skal den vaskes godt og grundigt af med vand og sæbe. I tilfælde af øjenkontakt, skal man

mindst skylle øjnene godt og grundigt igennem i 10 minutter og omgående opse en læge.

For at undgå risiko for brand, kvæstelser eller beskadigelse af produktet forårsaget af kortslutning må værktøjet, batteripakken eller opladeren ikke nedsænkes i vand. Sørg ligeledes for, at der ikke trænger væske ind i enhederne og batterierne. Korroderende eller ledende væsker, f.eks. saltvand, bestemte kemikalier, blegestoffer eller produkter, som indeholder blegestoffer, kan forårsage kortslutning.

Brug kun M18 ladeapparater for opladning af System M18 batterier. Udskiftningsbatterier og opladere må ikke åbnes og skal opbevares i tørre rum. Beskyt dem mod fugtighed.

TILTÆNKT FORMÅL

Søgefjederen er et ideelt værktøj til at blive brugt til at føre kabler gennem vægge og elektriske kredsløb.

BATTERI

Udskiftningsbatterier, der ikke har været brugt i længere tid, efterlades inden brug.

Ved temperaturer over 50°C formindskes batteriets effekt. Undgå direkte sollys og stærk varme.

Tilslutningskontakterne på oplader og udskiftningsbatterier skal holdes rene.

For at opnå en optimal levetid skal de genopladelige batterier oplades fuldt efter brug.

For at sikre en så lang levetid som muligt skal batterierne tages ud af ladeaggregatet efter opladning.

Skal batterierne opbevares længere end 30 dage: Temperatur ca. 27°C i tørre omgivelser. Opbevares ved ca. 30%-50% af ladetilstanden. Batteri skal genoplades hver 6. måned.

TRANSPORT AF LITHIUM-BATTERIER

Lithium-batterier er omfattet af lovgivningen om transport af farligt gods.

Transporten af disse batterier skal ske under overholdelse af lokale, nationale og internationale regler og bestemmelser.

Forbrugere må transportere disse batterier på veje uden yderligere krav.

Den kommercielle transport af lithium-batterier ved speditjonsfirmaer er omfattet af reglerne for transport af farligt gods. Forberedelsen af forsendelse og transport må kun udføres af tilsvarende trænedte personer. Den samlede proces skal følges af fagfolk.

Følgende punkter skal overholdes ved transport af batterier:

Sørg for at kontakterne er beskyttet og isoleret for at forhindre kortslutninger. Sørg for at batteripakken ikke kan bevæge sig inden for emballagen. Beskadigede eller lækende batterier må ikke transporteres. Kontakt dit speditjonsfirma for at få yderligere oplysninger.

OVERBELASTNINGSSIKRING FOR BATTERI

Overbelastes batteriet på grund af meget højt strømforbrug, f.eks. som følge af ekstremt høje drejningsmomenter, pludseligt stop eller kortslutning, vibrerer el-værktøjet i 5 sekunder, ladeindikator blinker, og el-værktøjet slukker af sig selv.

For at tænde igen slippes trykknappen, hvorefter du tænder el-værktøjet igen.

Ved ekstreme belastninger bliver batteriet for varmt. I så fald blinker alle lamper på ladeindikatoren, indtil batteriet er kølet af. Når ladeindikatoren går ud, kan arbejdet genoptages.

Sæt batteriet i ladeadapteren for at genoplade det og aktivere det.



Dan

YDERLIGERE RÅD VEDRØRENDE BRUGEN

Støt søgefjederen under brug.

Se billedafsnittet for normal brug.

Overvåg søgefjederen ved udtrækning. Når søgefjederen er fuldt udtrukket, vil den være markeret med gul maling. Når gul maling er synlig, så stop med udtrækningen. Yderligere udtrækning kan ødelægge eller brække søgefjederen.

Inden du trækker kabel igennem, så vær opmærksom på dine omgivelser og potentielle farer i nærheden, både for dig selv og andre i tilfælde af, at søgefjederen bryder løs, når du trækker.

INFORMATION: Hvis værktøjet blokerer, skal kontakten straks slippes. Brug ikke vold under trækning, hvis noget hænger fast eller du møder modstand. Fjern i stedet kablet og forhindringen.

For at trække søgefjederen tilbage, så sæt styrekontakten i tilbagetrækningspositionen og tryk på startknappen. Stop med tilbagetrækningen, når søgefjederen er vendt tilbage til startpositionen. Hvis du fortsætter tilbagetrækningen, kan du beskadige eller ødelægge tromlen.

Hvis værktøjet lukker ned under fremføring:

- Giv slip på startknappen.
- Skub styrekontakten i tilbagetrækningspositionen.
- Træk startknappen i 3-4 sekunder.
- Skub styrekontakten i fremføringsposition.
- Træk startknappen og forsøg at fremføre igen.
- Gentag ovenstående trin op til 5 gange, hvis det er nødvendigt.
- Hvis værktøjet fortsætter med at lukke ned under fremføring, skal tromlen udskiftes.

Hvis den ikke ledende fjeder begynder at trække sig tilbage i tromlen under fremføring:

- Giv slip på startknappen.
- Skub styrekontakten i tilbagetrækningspositionen.
- Grib fat i fjederen lige uden for tromlen ved hjælp af et fast håndtryksgreb.
- Træk startknappen, mens du spænder fjederen med den anden hånd, når fjederen trækkes tilbage i tromlen.
- Giv slip på startknappen.
- Skub styrekontakten i fremføringsposition.
- Træk startknappen og forsøg at fremføre igen.
- Gentag ovenstående trin op til 5 gange, hvis det er nødvendigt.
- Hvis værktøjet fortsætter med at trække tilbage under fremføring, skal tromlen udskiftes.

VEDLIGEHOLDELSE

Ved arbejde inden i maskinen, bør batteriet tages ud.

Tør den fritliggende spiral af med en klud og skub den tilbage ind i tromlen.

Inden rørensenser opbevares, skal spiralen trækkes helt ud. Rengør spiralen og vikl den løst op.

Brug kun Milwaukee-tilbehør og Milwaukee-reservedele. Komponenter, hvor udskiftningsproceduren ikke er beskrevet, skal skiftes ud hos et Milwaukee-servicested (se brochure garanti/kundeserviceadresser).

Ved opgivelse af type nr. der er angivet på maskinens effektskilt, kan de rekvirere en reservedelstegning, ved henvendelse til:

Techtronic Industries GmbH, Max-Eyth-Straße 10, 71364 Winnenden, Germany.

CE-KONFORMITETSERKLÆRING

Vi erklærer som eneansvarlige, at produktet, som beskrives under „Tekniske data“, opfylder alle de relevante bestemmelser i direktiverne:

2011/65/EU (RoHS)

2006/42/EF

2014/30/EU

og følgende harmoniserede standarder er blevet anvendt

EN 62841-1:2015+AC:2015

EN 55014-1:2017+A11:2020

EN 55014-2:2015

EN IEC 63000:2018



Winnenden, 2020-09-21

Alexander Krug / Managing Director
Autoriseret til at udarbejde de tekniske dokumenter.
Techtronic Industries GmbH
Max-Eyth-Straße 10, 71364 Winnenden, Germany



SYMBOLER



VIGTIGT! ADVARSEL! FARE!



Læs brugsanvisningen nøje før ibrugtagning.



Når der arbejdes med maskinen, skal man have beskyttelsesbriller på.



Brug beskyttelseshandsker!



Benyt ikke på eller i nærheden af strømførende kredsløb



Benyt ikke, når du står på en stige



Ved arbejde inden i maskinen, bør batteriet tages ud.



Tilbehør - Ikke inkluderet i leveringsomfanget, køb købes som tilbehør.



Elektrisk udstyr eller (genopladelige) batterier må ikke bortskaffes sammen med det almindelige husholdningsaffald. Elektrisk udstyr og genopladelige batterier skal indsamles særskilt og afleveres hos en genbrugsvirksomhed til en miljømæssig forsvarlig bortskaffelse. Spørg de lokale myndigheder eller din forhandler om genbrugsstationer og indsamlingssteder til sådant affald.

n₀ Omdrejningstal, ubelastet

V Spænding

— — — Jævnstrøm



Europæisk konformitetsmærke



Britisk konformitetsmærke



Ukrainsk konformitetsmærke

001



Eurasisk konformitetsmærke



TEKNISKE DATA	M18 FPFT	
Trekkefjær		
Produksjonsnummer	4749 40 01... ... 000001-999999	
Spenning vekselbatteri	18 V	
Tomgangsturtall	0 - 37 min ⁻¹	
Lengde på trekkefjærrommelen	37 m	73 m
Bredde på trekkefjærrommelen	3 mm	
Vekt i henhold til EPA-Prosedyren 01/2014 (Li-Ion 2,0 Ah...12,0 Ah)	7,13...8,19 kg	8,43...9,49 kg
Lengde på den ikke strømledende trommelfjæren	30 m	61 m
Vekt i henhold til EPA-Prosedyren 01/2014 (Li-Ion 2,0 Ah...12,0 Ah) (Leder ikke strøm)	6,43...7,49 kg	7,03...8,09 kg
Anbefalt omgivelsestemperatur for drift	-18°C... +50°C	
Anbefalte batteripakker	M18...	
Anbefalte ladere	M12-18...	
Støyinformasjon		
Måleverdier fastslått i samsvar med EN 62841. Det typiske A-bedømte støynivået for maskinen er:		
Lydtrykknivå (Usikkerhet K=3dB(A))	71,45 dB (A)	
Lydeffektnivå (Usikkerhet K=3dB(A))	82,45 dB (A)	
Bruk hørselsvern!		
Vibrasjonsinformasjoner		
Totale svingningsverdier (vektorsum fra tre retninger) beregnet jf. EN 62841.		
Svingningsemisjonsverdi a _n	0,64 m/s ²	
Usikkerhet K=	1,5 m/s ²	



ADVARSEL

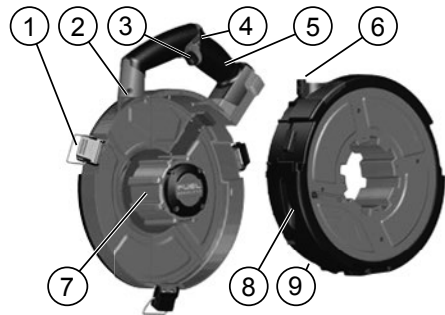
De angitte vibrasjonseksposering- og støynivåverdiene har blitt målt i samsvar med standardiserte målemetoder jmfør EN 62841 og kan brukes til å sammenligne et verktøy med et annet. De kan brukes til en foreløpig eksponeringsvurdering.

De angitte vibrasjonseksposering- og støyemisjonsverdiene gjelder for vanlig bruk av verktøyet. Dersom verktøyet blir brukt til noe annet, sammen med annet utstyr eller er dårlig vedlikeholdt kan de angitte vibrasjonseksposering- og støyeverdiene variere. Dette kan øke eksponerings- og emisjonsverdiene betraktelig for hele perioden du bruker verktøyet.

Når en vurderer vibrasjonseksposeringsnivået og støyeverdi må en inkludere den perioden som verktøyet er slått av eller når verktøyet går, men ikke direkte brukes til noe. Dette kan redusere eksponeringsnivået betraktelig over hele perioden som verktøyet er i bruk. Det er viktig å etablere ytterligere sikkerhetstiltak for å beskytte brukeren mot påvirkning av vibrasjon og/eller støy, slik som: vedlikehold av verktøyet og tilleggsutstyr, hold hendene varme, organiserte rutiner.

Bruk hørselsvern. Støy kan føre til tap av hørselen.

⚠ ADVARSEL! Les alle sikkerhetsanvisninger, instruksjer, bildeforklaringer og data som fulgte med maskinen. Hvis du ikke følger følgende anvisninger, kan det oppstå elektriske støt, ild og/eller store skader. **Ta godt vare på alle advarslene og informasjonene.**



Beskrivelse av verktøyet

- ① Klemme
- ② Tututsporing
- ③ Starter
- ④ Reguleringsbryter
- ⑤ Håndtak
- ⑥ Tut
- ⑦ Akse
- ⑧ Trommelfeste
- ⑨ Trommel

A SIKKERHETSADVARSLER FOR TREKKEFJÆR

Må ikke brukes før eller i nærheten av aktive strømretninger. Dersom den brukes i nærheten av elektrisk utstyr, må du være ekstra forsiktig. Når du trekker den igjennom kanaler med andre ledninger, må du først forsikre deg om at disse er slått av eller koblet i fra strømmen.

Stå stødig og balansert når du utfører arbeidet. Ikke bruk trekkefjæren mens du står på en stige. Dersom du føler en hindring eller motstand, kan dette føre til at stigen kommer i bevegelse og at du mister balansen eller kontrollen.

Du må alltid bruke sunn fornuft og være forsiktig når du bruker verktøyet. Det er ikke mulig å forutse alle situasjoner som kan ha en farlig utgang. Ikke bruk verktøyet dersom du ikke forstår denne bruksanvisningen eller føler at arbeidet er mer enn du er i stand til å håndtere. Ta kontakt med Milwaukee Tool eller en utdannet fagperson for mer informasjon eller opplæring.

ADVARSEL! Støv fra elektrisk pussing, saging, sliping eller andre byggeaktiviteter kan inneholde kjemikalier som er kjent for å fremme kreft, fødselskader eller forplantningsskader. Noen eksempler på disse kjemikaliene er:

- bly fra blybasert maling
- krystallinsk kiseltsyre fra mursteiner og andre murprodukter, og
- arsenikk og krom fra kjemisk behandlet tømmer.

Risikoen av eksponering til disse varierer avhengig av hvor ofte du utfører denne type arbeid.

For å redusere eksponeringen for disse kjemikaliene bør du: arbeide i rom med god ventilasjon, arbeide med godkjent sikkerhetsutstyr, slik som støvmaske som er ekstra designet for å filtrere ut mikroskopiske partikler.

Etiketter og typeskild skal ikke fjernes. Disse skiltene inneholder viktige informasjonen. Dersom disse skiltene ikke lengre kan leses eller mangler så ta kontakt med MILWAUKEE-Kundeservice for å få tilsendt gratis nye skilt.

YTTERLIGE SIKKERHETS- OG ARBEIDSIKKEHETSINSTRUKSJONER

Bruk vernebekledning. Ta alltid på vernebrille ved bruk av maskinen. Vernebekledning så vel som støvmaske, vernehansker, fast og sklisikkert skotøy, hjem og hørselsvern er anbefalt.

Støvet som oppstår ved arbeidet er ofte helsefarlig og skal ikke komme i kontakt med kroppen. Bruk derfor vernemaske som er egnet for støv.

Materialer som er helsefarlig skal ikke bearbeides (f.eks.. asbest)

Slå av apparatet med en gang dersom det isatte verktøyet er blokkert! Ikke slå apparatet på igjen så lenge det isatte verktøyet er blokkert; her kan det oppstå et tilbakeslag med høyt reaksjonsmoment. Finn ut hvorfor det isatte verktøyet blokkerer og fjern årsaken til dette. Ta herved hensyn til sikkerhetsinstruksene.

Ta ut vekselbatteriet før du arbeider på maskinen

Ikke kast brukte vekselbatterier i varmen eller husholdningsavfallet. Milwaukee tilbyr en miljøriktig deponering av gamle vekselbatterier; vennligst spør din fagforhandler.

Ikke oppbevar vekselbatterier sammen med metallgjenstander (kortslutningsfare).

Under ekstreme belastninger og ekstreme temperaturer kan det lekke ut batterivæske fra utskiftbare batterier. Ved berøring med batterivæske, vask umiddelbart med såpe og vann. Ved kontakt med øynene må øynene skylles grundig i rennende vann i minst 10 minutter. Oppsøk lege umiddelbart.

For å unngå fare for en brann forårsaket av en kortslutning, av personskader eller skader av produktet, må det forhindres at batteripakken eller laderen dypes i væsker og også sørges for at ingen væsker kan komme inn i apparatene eller batteriene.

Korroderende og ledende væsker som saltvann, visse kjemikalier og blekemidler eller produkt som inneholder blekemidler kan forårsake en kortslutning.

Vekselbatterier av systemet M18 skal kun lades med lader av systemet M18. Ikke lad opp batterier fra andre systemer.

Ikke åpne vekselbatterier og ladere, de skal oppbevares i tørre rom. Beskyttes mot fuktighet.

FORMÅLSMESSIG BRUK

Trekkefjæren er et ideelt verktøy for å trekke ledninger igjennom veggen eller elektriske kanaler.

BATTERIER

Vekselbatterier som ikke er brukt over lengre tid skal etterlades for bruk.

En temperatur over 50°C reduserer vekselbatteriets kapasitet.

Unngå oppvarming i sol eller ved varmeovner (fyring) i lengre tid.

Hold tilkoplingskontaktene på lader og vekselbatteri rene.

For optimal holdbarhet må batteriene lades opp helt etter bruk.

For å sikre en lengst mulig brukstid av batteriene skal disse etter oppladning taes ut av laderen.

Ved lagring av batteriene lengre enn 30 dager: Lagre batteriet tørt ved ca. 27°C. Lagre batteriet ved en oppladningsstilstand på ca. 30%-50%. Lade opp batteriet igjen etter 6 måneder.

TRANSPORT AV LITIUM-ION-BATTERI

Litium-ion-batterier faller under de lovfestede forskriftene om transport av farlig gods.

Transporten av disse batteriene må rette seg etter lokale, nasjonale og internasjonale forskrifter og bestemmelser.

Forbruker har lov å transportere disse batteriene på gaten uten reglementering.

Den kommersielle transport av Litium-ion-batterier av spedisjonsfirma faller under bestemmelsene om transport av farlig gods. Forberedningene av forsendelsen og transport skal utelukkende gjennomføres av personer som har blitt skolert til dette. Hele prosessen skal følges opp av fagfolk.

Følgende punkter skal tas hensyn til ved transport:

Kontroller at kontaktene er beskyttet og isolert for å unngå kortslutning. Pass på at batteripakken i forpakningen ikke kan skli fram og tilbake. Skadede eller batterier som lekker er det ikke lov å transportere. Ta kontakt med spedisjonsfirma for ytterlige henvisninger.

OVERBELASTNINGSVERN FOR OPPLADBARE BATTERIER

Ved overbelastning av det oppladbare batteriet p.g.a. svært høyt strømforbruk; f.eks. ekstrem høye dreiemoment, plutselig stopp eller kortslutning, vibrert elektroverktøyet 5 sekunder, displayet for opplading blinker og elektroverktøyet utkobler seg automatisk.

For gjeninnkobling, slipp løs bryteren og slå så på igjen.

Ved ekstreme belastninger opphører det oppladbare batteriet seg for sterkt. I slike tilfeller blinker alle lampene på displayet til batteriet er avkjølt. Når lampene har sluttet å blinke, kan man fortsette å arbeide.

Sett batteriet da i laderen for å få det oppladet og aktivert igjen

TILLEGGS TIPS FOR BRUK

Sikre trekkefjæren mens den brukes.

Se figurene for normal bruk.

Hold øye med fjæren når den trekkes ut. Når det nærmer seg slutten på trekkefjæren, er den merket med gul farge. Så snart du



ser den gule fargen, må du ikke trekke fjæren lengre ut. Dersom du trekker den lengre ut, kan dette ødelegge eller slite av fjæren. Sjekk omgivelsene før du trekker igjennom ledningen. Det må ikke være mulige farer for deg selv eller andre, i tilfelle fjæren skulle være idet den trekkes igjennom.

HINT: Dersom verktøyet blokkerer, skal bryteren slippes løs med en gang Ikke bruk makt dersom fjæren treffer på en hindring eller motstand. Trekk heller ledningen ut igjen, før du fjerner hindringen.

For å trekke fjæren tilbake skyver du reguleringsbryteren i riktig posisjon og trykk på startbryteren. Stopp tilbaketrekkingen så snart trekkefjæren er tilbake i startposisjon. Dersom du trekker den lengre inn, kan dette ødelegge trommelen.

Dersom verktøyet stopper under mating:

- Slipp startbryteren.
- Trykk på reguleringsbryteren for å trekke fjæren tilbake i riktig posisjon.
- Trykk på startbryteren i 3-4 sekunder.
- Trykk reguleringsbryteren til mateposisjonen.
- Trekk i startbryteren og prøv å mate igjen.
- Gjenta skrittene ovenfor inntil 5 ganger dersom det er nødvendig.
- Dersom verktøyet fortsetter å stoppe under arbeid, må du bytte trommelen.

Dersom den ikke-strømlerende fjæren trekkes tilbake i trommelen under mating:

- Slipp startbryteren.
- Trykk på reguleringsbryteren for å trekke fjæren tilbake i riktig posisjon.
- Ta tak i fjæren rett utenfor trommelen med et fast håndgrep (som om du håndhilsler).
- Trekk startbryteren med den andre hånden og hold fjæren i spenn med den andre mens fjæren trekkes tilbake i trommelen.
- Slipp startbryteren.
- Trykk reguleringsbryteren til mateposisjonen.
- Trekk i startbryteren og prøv å mate igjen.
- Gjenta skrittene ovenfor inntil 5 ganger dersom det er nødvendig.
- Dersom verktøyet fortsetter å trekke fjæren tilbake under arbeid, må du bytte trommelen.

VEDLIKEHOLD

Ta ut vekselbatteriet før du arbeider på maskinen

Tørk av den frittliggende spiralen med en klut og så skyv den inn i trommelen igjen.

Før innlagring av avløpsrenseren skal spiralen trekkes helt ut av trommelen. Rengjør spiralen og vikle den løst opp igjen.

Bruk kun Milwaukee tilbehør og Milwaukee reservedeler. Komponenter der utskifting ikke er beskrevet skal skiftes ut hos Milwaukee kundeservice (se brosjyre garanti/kundeserviceadresser).

Ved behov kan du be om en eksplosjonstegning av apparatet hos din kundeservice eller direkte hos Techtronic Industries GmbH, Max-Eyth-Straße 10, 71364 Winnenden, Germany. Oppgi maskintype og det nummeret på typeskiltet.

CE-SAMSVARSERKLÆRING

Vi erklærer i alene ansvar at produktet beskrevet i „Teknisk data“ overensstemmer med alle relevante forskrifter til Eu direktiv:

2011/65/EU (RoHS)

2006/42/EC

2014/30/EU

og de følgende harmoniserte normative dokumentene. fyrstikker

EN 62841-1:2015+AC:2015

EN 55014-1:2017+A11:2020

EN 55014-2:2015

EN IEC 63000:2018



Winnenden, 2020-09-21

Alexander Krug / Managing Director
Autorisert til å utarbeide den tekniske dokumentasjonen
Techtronic Industries GmbH
Max-Eyth-Straße 10, 71364 Winnenden, Germany



SYMBOLER



OBS! ADVARSEL! FARE!



Les nøye gjennom bruksanvisningen før maskinen tas i bruk.



Bruk alltid vernebrille når du arbeider med maskinen.



Bruk vernehansker!



Må ikke brukes for eller i nærheten av aktive strømkretser



Må ikke brukes mens du står på en stige



Ta ut vekselbatteriet før du arbeider på maskinen



Tilbehør - inngår ikke i leveransen, anbefalt komplettering fra tilbehørsprogrammet.



Elektriske apparater, batterier/oppladbare batterier skal ikke kastes sammen med vanlig husholdningsavfall. Elektriske og elektroniske apparater og oppladbare batterier skal samles separat og leveres til miljøvennlig deponering hos en avfallsbedrift. Informer deg hos myndighetene på stedet eller hos din fagforhandler hvor det finnes recycling bedrifter og oppsamlingssteder.

n₀ Tomgangsturtall

V Spenning

--- Likestrøm



Europeisk samsvarsmerke



Britisk samsvarsmerke



Ukrainsk samsvarsmerke



Euroasiatisk samsvarsmerke



TEKNISKA DATA Dragfjäder	M18 FPFT	
Produktionsnummer	4749 40 01... ... 000001-999999	
Batterispänning	18 V	
Tomgångsvarvtal, obelastad	0 - 37 min ⁻¹	
Trumma dragfjäder i stål, längd	37 m	73 m
Trumma dragfjäder i stål, bredd	3 mm	
Vikt enligt EPTA 01/2014 (Li-Ion 2,0 Ah...12,0 Ah)	7,13...8,19 kg	8,43...9,49 kg
Ej ledande trumma dragfjäder, längd	30 m	61 m
Vikt enligt EPTA 01/2014 (Li-Ion 2,0 Ah...12,0 Ah) (Ej ledande)	6,43...7,49 kg	7,03...8,09 kg
Rekommenderad omgivningstemperatur för driften	-18°C... +50°C	
Rekommenderade batterier (Akkupacks)	M18...	
Rekommenderade laddare	M12-18...	
Bullerinformation Mätvärdena har tagits fram baserade på EN 62841. A-värdet av maskinens ljudnivå utgör: Ljudtrycksnivå (Onoggrannhet K=3dB(A)) Ljudeffektsnivå (Onoggrannhet K=3dB(A)) Använd hörselskydd!	71,45 dB (A) 82,45 dB (A)	
Vibrationsinformation Totala vibrationsvärden (vektorsumma ur tre riktningar) framtaget enligt EN 62841. Vibrationsemissionsvärde a _h Onoggrannhet K=	0,64 m/s ² 1,5 m/s ²	

VARNING

De deklarerade vibrations- och bullernivåerna på detta informationsblad har uppmätts i enlighet med en standardiserad testmetod enligt EN 62841 och kan användas för att jämföra ett verktyg med ett annat. Det kan användas för en preliminär bedömning av exponeringen.

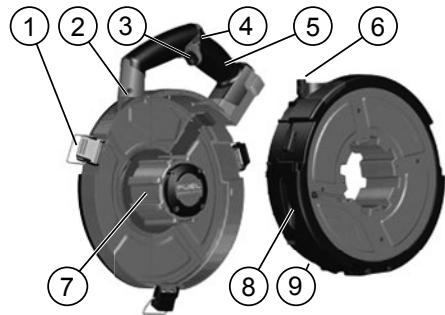
Den angivna vibrations- och bullernivån representerar verktygets huvudsakliga tillämpningar. Om verktyget emellertid används för olika tillämpningar, med olika eller dåligt underhållna tillbehör, kan vibrations- och bullerutsläppet variera. Detta kan öka exponeringsnivån avsevärt över den totala arbetsperioden.

En uppskattning av exponeringsnivån för vibrationer och buller bör även ta hänsyn till de tider då verktyget är avstängt eller när det körs utan att faktiskt arbeta. Detta kan avsevärt minska exponeringsnivån över den totala arbetsperioden.

Identifiera ytterligare säkerhetsåtgärder för att skydda operatören mot effekterna av vibrationer och/eller buller såsom: underhåll av verktyget och tillbehören, hålla händerna varma, organisation av arbetsmönster.

Bär hörselskydd. Buller kan leda till att du förlorar hörseln.

⚠ VARNING! Läs alla säkerhetsanvisningar, instruktioner, beskrivningar och uppgifter som du får tillsammans med apparaten. Om nedanstående anvisningar ignoreras finns risk för att elstöt, brand och/eller allvariga personskador uppstår. **Förvara alla varningar och anvisningar för framtida bruk.**



Enhetsbeskrivning

- ① Reglar
- ② Munstycke skära
- ③ Avtryckare
- ④ Manöverbrytare
- ⑤ Handtag
- ⑥ Munstycke
- ⑦ Nav
- ⑧ Cylindergrepp
- ⑨ Trumma

⚠ SÄKERHETSVARNINGAR FÖR DRAGFJÄDER

Får ej användas på eller i närheten av elektriska kretsar
Var extremt försiktig när du arbetar i närheten av elektrisk utrustning. Om du drar igenom ledningar som innehåller andra kablar måste du förvissa dig om att strömförsörjningen till dessa kablar har stängts av eller fränkopplats.

Se till att stå stabilt och med rätt balans när du utför dragarbeten. Dra inte när du står på en stege. Om man stöter på en krok eller ett motstånd kan en stege bli ostadigt vilket kan leda till att man tappar balansen eller kontrollen.

Använd alltid sunt förnuft och var försiktig när du använder verktyg. Det är inte möjligt att förutse alla situationer som kan leda till ett farligt resultat. Använd inte det här verktyget om du inte förstår den här bruksanvisningen eller om du känner att arbetet går utöver din förmåga. Kontakta Milwaukee Tool eller en utbildad fackman för ytterligare information eller utbildning.

WARNING! En del typer av damm som skapas vid eldriven avslipning, sågning, slipning och borrarning och annan byggverksamhet, innehåller kemikalier som man vet orsakar cancer, medfödda missbildningar eller andra reproduktionsskador. Sådana kemikalier är till exempel

- bly från blybaserad målarfärg
- kristallin kvarts från tegelstenar, cement och andra murverksprodukter
- arsenik och krom från kemiskt behandlat byggnadsvirke.

De risker som din exponering för sådant damm medför, beror på hur ofta du utför den här typen av arbete.

För att minska din exponering för dessa kemikalier är det viktigt att du arbetar i ett väl ventilerat utrymme och använder godkänd säkerhetsutrustning, som till exempel en dammfiltermask som är speciellt konstruerad för att filtrera bort mikroskopiska partiklar.

Ta inte bort dekaler eller typskyltar. Dessa skyltar innehåller viktig information. Om dessa skyltar inte längre är läsbara eller saknas, kontakta MILWAUKEE-kundtjänst för att få nya utan kostnad.

ÖVRIGA SÄKERHETS- OCH ANVÄNDNINGSPÅBUD

Använd skyddsutrustning. Använd alltid skyddsglasögon när du använder maskinen. Som skyddsutrustning rekommenderar vi t.ex. en dammskyddsmask, skyddshandskar, stabila och halksäkra skor, hjälm och hörselskydd.

Det damm som bildas under arbetets gång är ofta hälsofarligt och det ska inte komma in i kroppen. Bär därför lämplig skyddsmask. Det är inte tillåtet att bearbeta material som kan vara hälsovådligt (t.ex. asbest).

Stäng av maskinen omedelbart om ett verktyg som används sitter fast! Sätt sedan inte på maskinen igen så länge som verktyget som används fortfarande sitter fast; risk för okontrollerade slag med högt reaktionsmoment. Ta reda på orsaken varför verktyget fastnade och åtgärda orsaken med hänsyn till säkerhetsanvisningarna. Drag ur batteripaket innan arbete utföres på maskinen.

Kasta inte förbrukade batterier. Lämna dem till Milwaukee Tools för återvinning.

Förvara ej batteriet ihop med metallföremål, kortslutning kan uppstå.

Under extrem belastning eller extrem temperatur kan batterivätska tränga ut ur skadade utbytesbatterier. Vid beröring med batterivätska tvätta genast av med vatten och tvål. Vid ögonkontakt spola genast i minst 10 minuter och kontakta genast läkare.

För att undvika den fara för brand, personskador eller produktskador som orsakas av en kortslutning, doppa inte ner verktyget, utbytesbatteriet eller laddaren i vätskor och se till att ingen vätska kan tränga in i apparaterna eller batterierna. Korroderande eller ledande vätskor, som saltvatten, vissa kemikalier, blekningsmedel eller produkter som innehåller blekmedel, kan orsaka en kortslutning.

System M18 batterier laddas endast i System M18 laddare. Ladda inte batterier från andra system.

Batterier lagras torrt och skyddas för fukt.

ANVÄND MASKINEN ENLIGT ANVISNINGARNA

Dragfjäders är ett perfekt verktyg för att leda kablar genom väggar och elektriska ledningar.

BATTERIER

Batteri som ej använts på länge måste laddas före nytt bruk.

En temperatur över 50°C reducerar batteriets effekt. Undvik längre uppvärmning i solen eller nära ett element.

Se till att anslutningskontaktarna i laddaren och på batteriet är rena.

För att batterierna ska få lång livslängd ska de laddas fulla efter användning.

För att få en så lång livslängd som möjligt bör laddningsbara batterier avlägsnas från laddaren när de är laddade.

Om laddningsbara batterier lagras längre än 30 dagar: Lagra batteriet torrt och vid ca 27°C. Lagra batteriet vid ca 30%-50% av laddningskapaciteten. Ladda batterierna på nytt var 6:e månad.

TRANSPORTERA LITIJUMJON-BATTERIER

För litiumjon-batterier gäller de lagliga föreskrifterna för transport av farligt gods på väg.

Därför får dessa batterier endast transporteras enligt gällande lokala, nationella och internationella föreskrifter och bestämmelser.

Konsumenter får transportera dessa batterier på allmän väg utan att behöva beakta särskilda föreskrifter.

För kommersiell transport av litiumjon-batterier genom en speditorsfirma gäller emellertid bestämmelserna för transport av farligt gods på väg. Endast personal som känner till alla tillämpliga föreskrifter och bestämmelser får förbereda och genomföra transporten. Hela processen ska följas upp på fackmässigt sätt.

Följande ska beaktas i samband med transporten av batterier: Säkerställ att alla kontakter är skyddade och isolerade för att undvika kortslutning. Se till att batteripacken inte kan glida fram och tillbaka i förpackningen. Transportera aldrig batterier som läcker, har runnit ut eller är skadade. För mer information vänligen kontakta din speditorsfirma.

BATTERI-ÖVERBELASTNINGSSKYDD

Om det laddningsbara batteriet överbelastas genom en mycket hög strömförbrukning, t.ex. extremt höga vridmoment, ett plötsligt stopp eller en kortslutning, så vibrerar elverktyget i 5 sekunder, laddningsindikeringen blinkar och elverktyget fränkopplas automatiskt.

För att sedan sätta på elverktyget igen släpper du tryckbrytaren och tillkopplar sedan verktyget igen.

Vid en extrem belastning blir det laddningsbara batteriet för varmt. I detta fall blinkar alla lampor på laddningsindikeringen så länge tills batteriet har svalnat. När laddningsindikeringen har slocknat kan du fortsätta med arbetet.

Sätt då batteriet i laddaren för låda upp och aktivera det igen.



Sve

FLERA TIPS FÖR ANVÄNDNINGEN

Stöd dragfjädern under användning.

För normal användning, se bildavsnittet.

Övervaka dragfjädern när du drar ut den. När man närmar sig full töjning kommer dragfjädern att markeras med gul färg. Sluta dra när gul färg blir synlig. Fortsatt töjning kan skada dragfjädern eller få den att brista.

Var uppmärksam på din omgivning och på potentiella risker för dig själv och andra om dragfjädern skulle lossna när du drar igenom kabeln.

OBS: Om verktyget blockerar, släpp omedelbart brytaren.

Dra inte med våld om du har fastnat eller stött på motstånd. Ta istället bort kabeln och avlägsna hindret.

För att dra tillbaka dragfjädern, flytta manöverbrytaren till läget för tillbakadragning och använd på-/av-knappen. Sluta dra tillbaka när dragfjädern har kommit tillbaka till utgångsläget. Fortsatt tillbakadragning kan skada dragfjädern eller få trumman att brista.

Om verktyget stängs av under matning:

- Släpp på-/av-knappen.
- Skjut manöverbrytaren till indragningsläget.
- Dra på-/av-knappen i 3-4 sekunder.
- Skjut manöverbrytaren till matningsläget.
- Dra på-/av-knappen och försök mata igen.
- Upprepa ovanstående steg upp till 5 gånger om det behövs.
- Om verktyget fortsätter att stängas av under matningen måste trumman bytas ut.

Om den icke-ledande tejen börjar dras in i trumman under matning:

- Släpp på-/av-knappen.
- Skjut manöverbrytaren till indragningsläget.
- Ta tag i tejen precis utanför trumman med ett fast handskakningsgrepp.
- Dra på-/av-knappen medan du spänner tejen med den andra handen när tejen dras tillbaka in i trumman.
- Släpp på-/av-knappen.
- Skjut manöverbrytaren till matningsläget.
- Dra på-/av-knappen och försök mata igen.
- Upprepa ovanstående steg upp till 5 gånger om det behövs.
- Om verktyget fortsätter att dras tillbaka under matningen måste trumman bytas ut.

SKÖTSEL

Drag ur batteripaket innan arbete utföres på maskinen.

Torka av den friliggande spiralen med en trasa och skjut tillbaka in den i trumman.

Innan rörensaren läggs undan för förvaring, dra ut spiralen helt. Gör rent spiralen och linda upp den löst.

Använd endast Milwaukee-tillbehör och Milwaukee-reservdelar. Komponenter, för vilka inget byte beskrivs, skall bytas ut hos Milwaukee-kundtjänst (se broschyren garanti-/kundtjänstadresser).

Vid behov av sprängskiss, kan en sådan, genom att uppgge maskinens art. nr. (som finns på typskylten) erhållas från:

Techtronic Industries GmbH, Max-Eyth-Straße 10,
71364 Winnenden, Germany.

CE-FÖRSÄKRAN

Vi tar på vårt ansvar att produkten som har beskrivits under Tekniska data uppfyller alla relevanta villkor i direktiven:

2011/65/EU (RoHS)

2006/42/EG

2014/30/EU

samt att följande harmoniserade standarder har använts

EN 62841-1:2015+AC:2015

EN 55014-1:2017+A11:2020

EN 55014-2:2015

EN IEC 63000:2018



Winnenden, 2020-09-21

Alexander Krug / Managing Director
Befullmäktigad att sammanställa teknisk dokumentation.
Techtronic Industries GmbH
Max-Eyth-Straße 10, 71364 Winnenden, Germany



SYMBOLER



OBSERVERA! VARNING! FARA!



Läs instruktionen noga innan du startar maskinen.



Använd alltid skyddsglasögon.



Bär skyddshandskar!



Får ej användas på eller i närheten av elektriska kretsar



Får ej användas när du står på en stege



Drag ur batteripaket innan arbete utföres på maskinen.



Tillbehör - Ingår ej i leveransomfånget, erhålles som tillbehör.



Elektriska maskiner, batterier/uppladdningsbara batterier och får inte slängas tillsammans med de vanliga hushålls-soporna. Elektriska maskiner och uppladdningsbara batterier ska samlas separat och lämnas till en avfallsstation för miljövänlig avfallshantering. Kontakta den lokala myndigheten respektive kommunen eller fråga återförsäljare var det finns speciella avfallsstationer för elskrot.

n₀ Tomgångsvarvtal, obelastad

V Spänning

--- Likström



Europeiskt konformitetsmärke



Britiskt konformitetsmärke



Ukrainskt konformitetsmärke



Euroasiatiskt konformitetsmärke



TEKNISET ARVOT	M18 FPFT	
Vetojousi		
Tuotantomerkki	4749 40 01... ... 000001-999999	
Jännite vaihtoakku	18 V	
Kuormittamaton kierrosluku	0 - 37 min ⁻¹	
Teräksinen vetojousi, kelan pituus	37 m	73 m
Teräksinen vetojousi, kelan leveys	3 mm	
Paino EPTA-menetelmän 01/2014 mukaan (Li-Ion 2,0 Ah...12,0 Ah)	7,13...8,19 kg	8,43...9,49 kg
Sähköä johtamaton vetojousi, kelan pituus	30 m	61 m
Paino EPTA-menetelmän 01/2014 mukaan (Li-Ion 2,0 Ah...12,0 Ah) (Sähköä johtamaton)	6,43...7,49 kg	7,03...8,09 kg
Suosittelun ympäristön lämpötila käytön aikana	-18°C... +50°C	
Suosittelut akkusarjat	M18...	
Suosittelut latauslaitteet	M12-18...	
Melunpäästö tiedot		
Mitta-arvot määritetty EN 62841 mukaan. Koneen tyyppinen A-luokitettu melutaso:		
Melutaso (Epävarmuus K=3dB(A))	71,45 dB (A)	
Äänenvoimakkuus (Epävarmuus K=3dB(A))	82,45 dB (A)	
Käytä kuulosuojaimia!		
Tärinätiedot		
Värähtelyn yhteisarvot (kolmen suunnan vektorisummitettuna EN 62841 mukaan.		
Värähtelyemissioarvo a _h	0,64 m/s ²	
Epävarmuus K=	1,5 m/s ²	



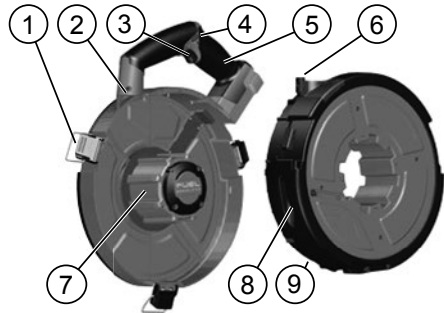
VAROITUS

Tässä tiedotteessa ilmoitettu (ilmoitetut) värinä- ja melupäästöarvo(t) on mitattu standardisoidulla testimenetelmällä SFS-EN 62841 mukaisesti ja sitä voidaan käyttää työkalun vertailamiseen toisen työkalun kanssa. Sitä voidaan käyttää alustavaan altistuksen arviointiin.

Ilmoitettu värinä- ja melupäästöarvo koskee työkalun pääkäyttötarkoituksia. Jos kuitenkin työkalua käytetään eri käyttötarkoituksiin eri varusteiden kanssa tai huonosti huollettuna, voi värinä- ja melupäästö erota ilmoitetusta. Tämä voi merkittävästi nostaa altistumistasoa koko työskentelyjakson ajaksi. Arvioidussa värinä- ja meluallistustasossa tulisi ottaa huomioon myös työkalun sammuuskerrat tai sen tyhjäkäynti. Tämä voi merkittävästi laskea altistumistasoa koko työskentelyjakson ajaksi. Tunnista esimerkiksi seuraavat lisävaroitukset, joilla voidaan suojata käyttäjää värinän ja/tai melun vaikutuksilta: työkalun ja varusteiden ylläpito, käsien lämpimän pito, työnkulun organisointi.

Käytä korvasuojia. Melulle altistuminen voi heikentää kuuloa.

VAROITUS! Lue kaikki varoimenpiteet, ohjeet, kuvalliset esitykset ja tiedot, jotka toimitetaan laitteen mukana. Ellet noudata seuraavia ohjeita, saattaa se johtaa sähköiskuun, tulipaloon ja/tai vaikeisiin loukkaantumisiin. **Säilytä kaikki turvallisuus- ja muut ohjeet tulevaisuutta varten.**



Laitteen kuvaus

- ① Salvat
- ② Suutinrako
- ③ Liipaisin
- ④ Ohjaukskytkin
- ⑤ Käsikahva
- ⑥ Suutin
- ⑦ Napa
- ⑧ Kelan pidikkeet
- ⑨ Kela

A VETOJOUSEN TURVALLISUUSVAROITUKSET

Älä käytä kaapelinvetojousta jännitteisiin piireihin tai niiden lähellä Ole äärimmäisen varovainen työskennellessäsi sähkölaitteiden lähellä. Vetäessäsi kaapeleita muita johtoja sisältävien asennusputkien läpi varmista, että näistä johdoista on kytetty virta pois tai katkaistu.

Huolehdi tukevasta asennosta ja hyvästä tasapainosta tehdessäsi kaapelinvetotöitä. Älä vedä kaapeleita tikkailta käsin. Jos kaapeli tarttuu kiinni tai siihen kohdistuu vastusta, tikkaat voivat horjua ja näin johtaa tasapainon tai tilanteen hallinnan menettämiseen.

Käytä aina maalaisjärkeä ja ole varovainen työkaluja käyttäessäsi. Jokaisen vaaratilanteeseen johtavan tilanteen ennakoiminen on mahdotonta. Älä käytä tätä työkalua, mikäli et ymmärrä näitä käyttöohjeita tai koet, että työ ylittää kykyä; ota yhteyttä Milwaukee Tooliin tai koulutettuun ammattilaiseen lisätietoja tai -koulutusta varten.

VAROITUS! Tehoionnasta, sahauskesta, hionnasta, porauksesta ja muista rakentamistoimista syntyvä pöly sisältää kemikaaleja, joiden tiedetään aiheuttavan syöpää, synnynnäisiä poikkeavuuksia tai muita lisääntymishäiriöitä. Jotain esimerkkejä näistä kemikaaleista ovat:

- liijypohjaisen maalin lijyy
- tiilien ja sementin sekä muiden muuraustuotteiden kiteinen piidioksidijä
- kemiallisesti käsitellyn puutavaran arsenikki ja kromi.

Näiden altistusten vaara vaihtelee riippuen tämän tyyppisen työn toteuttamistiheydestä.

Näille kemikaaleille altistumisesi vähentämiseksi: työskentele hyvin ilmastoidulla alueella ja käytä työskennellessäsi hyväksytyttä suojavarusteita, kuten erityisesti mikroskooppiset hiukkaset suodattamaan suunniteltuja hengityssuojaimia.

Älä poista etikettejä tai tyyppikilpiä. Näissä kilvissä on tärkeitä tietoja. Jos nämä ohjekilvet eivät enää ole luettavissa tai puuttuvat, ota yhteyttä MILWAUKEE-asiakaspalveluun saadaksesi uudet kilvet maksutta.

TÄYDENTÄVIÄ TURVALLISUUSMÄÄRÄYKSIÄ JA TYÖSKENTELYOHJEITA

Käytä suojavarusteita. Käytä aina suojalaseja käyttäessäsi konetta. Suosittelemme suojavarusteiden käyttöä, näihin kuuluvat pölysuojanaamari, työkasineet, tukevat, luistamattomat jalkineet, kypärä ja kuulosuojukset.

Koneen käytöstä aiheutuva pöly ja jäte voi olla haitallista terveydelle eikä sen vuoksi tulisi päästä kosketukseen ihon kanssa. Koneella työskennellessä on käytettävä sopivaa suojainta.

Terveydellisiä vaaroja aiheuttavien materiaalien (esim. asbestin) työstäminen on kiellettyä.

Jos käytetty työkalu juuttuu kiinni, sammuta laite heti! Älä kytke laitetta uudelleen päälle työkalun ollessa vielä kiinni juuttuneena, koska tästä saattaa aiheutua voimakas takaisu. Selvitä työkalun juuttumisen syy ja poista syy turvallisuusmääräyksiä noudattaen. Ota akku pois ennen kaikkia koneeseen tehtäviä toimenpiteitä.

Käytettyjä vaihtoakkuja ei saa polttaa eikä poistaa normaalin jätehuollon kautta. Milwaukeella on tarjolla vanhoja vaihtoakkuja varten ympäristöstävällinen jätehuoltopalvelu.

Vaihtoakkuja ei saa säilyttää yhdessä metalliesineiden kanssa (oikosulkuvaara).

Vaurioituneesta akusta saattaa erityisen kovassa käytössä tai poikkeavassa lämpötilassa vuotaa akkuhappoa. Ihonkohta, joka on joutunut kosketukseen akkuhapon kanssa on viipymättä pestävä vedellä ja saippualla. Silmä, johon on joutunut akkuhappoa, on

huuhdeltava vedellä vähintään 10 minuutin ajan, jonka jälkeen on viipymättä hakeuduttava lääkärin apuun.

Jotta vältetään lyhytsulun aiheuttama tulipalon, loukkaantumisen tai tuotteen vahingoittumisen vaara, älä koskaan upota työkalua, vaihtoakkuja tai latauslaitetta nesteeseen ja huolehdi siitä, ettei mitään nesteitä pääse tunkeutumaan laitteiden tai akkujen sisään. Syövyttävät tai sähköä johtavat nesteet, kuten suolavesi, tietyt kemikaalit ja lalkaisuuaineet tai valkaisuuaineita sisältävät tuotteet voivat aiheuttaa lyhytsulun.

Käytä ainoastaan System M18 latauslaitetta System M18 akkujen lataukseen. Älä käytä muiden järjestelmien akkuja.

Vaihtoakkuja ja latauslaitteita ei saa avata. Säilytys vain kuivissa tiloissa. Suojattava kosteudelta.

TARKOITUKSENMOKUNAINEN KÄYTTÖ

Kaapelinvetojousoi on erinomainen työkalu johtojen reitittämiseen seinien ja sähköputkien läpi.

AKKU

Pitkään käyttämättä olleet vaihtoakut on ladattava ennen käyttöä.

Yli 50°C lämpötilassa akun suorituskyky heikkenee. Välttämättä akkujen säilyttämistä auringossa tai kuivissa tiloissa.

Pidä aina latauslaitteen ja akun kosketinpinna puhtaina.

Optimaaliseen käyttöön saavuttamiseksi akut on ladattava täyteen käytön jälkeen.

Mahdollisimman pitkän elinajan takaamiseksi akut tulee poistaa laturista lataamisen jälkeen.

Akkuja yli 30 päivää säilytettäessä: Säilytä akku yli 27 °C:ssa ja kuivassa. Säilytä akku sen latauksen ollessa 30 % - 50 %. Lataa akku 6 kuukauden välein uudelleen.

LITIUMI-IONIAKKUIEN KULJETTAMINEN

Litiumi-ioniakut kuuluvat vaarallisten aineiden kuljetuksesta annettujen lakien piiriin.

Näiden akkujen kuljettaminen täytyy suorittaa noudattaen paikallisia, kansallisia ja kansainvälisiä määräyksiä ja säädöksiä.

Kuluttajat saavat ilman muuta kuljettaa näitä akkuja teitä pitkin.

Kaupallisessa kuljetuksessa huolintaliikkeiden täytyy kuljettaa litiumi-ioniakkuja vaarallisten aineiden kuljetuksesta annettujen määräysten mukaisesti. Ainoastaan tähän vastaavasti koulutetut henkilöt saavat suorittaa kuljetuksen valmistelutoimet ja itse kuljetuksen. Koko prosessia tulee valvoa asiantuntevasti.

Seuraavat kohdat tulee huomioida akkuja kuljetettaessa:

Varmista, että akkujen kontaktit on suojattu ja eristetty, jotta vältetään lyhytsulut. Huolehdi siitä, ettei akkusarja voi luiskahdtaa paikaltaan pakkauksen sisällä. Vahingoittuneita tai vuotavia akkuja ei saa kuljettaa. Pyydä tarkemmat tiedot huolintaliikkeeltäsi.

AKUN YLIKUORMITUSUOJAUUS

Jos akku ylikuormittuu erittäin suuren virrankulutuksen takia, esim. erittäin voimakkaiden vääntömomenttien, äkillisen pysäyttämisen tai oikosulun vuoksi, niin sähkötyökalu tarisee 5 sekunnin ajan, latausnäyttö vilkkuu ja sähkötyökalu sammuu omatoimisesti. Käynnistä laite uudelleen päästämällä katkaisinpainikkeen irti ja käynnistämällä laitteen sitten uudelleen.

Erittäin suuressa kuormituksessa akku kuumenee liikaa. Tässä tapauksessa latausnäytön kaikki lamput vilkkuvat, kunnes akku on jäähtynyt. Kun latausnäyttö on sammunut, voi työtä jatkaa.

Työnä akku sitten latauslaitteeseen ja lataa se jälleen, jotta se aktivoituu.



LISÄOHJEITA KÄYTTÖÄ VARTEN

Tue vetojousta käytön aikana.

Näet vetojousen normaalin toiminnan kuvaosiesta.

Valvo vetojousta sen ulos työntämisen aikana. Kun olet työntänyt vetojousen ulos lähes koko sen pituudelta, näet keltaisen merkin.

Pysäytä silloin jousen ulostyöntäminen. Ulos työntämisen jatkaminen voisi aiheuttaa kaapelin vetojousen vahingoittumisen tai katkeamisen.

Ennen kuin vedät kaapelin läpi, huomioi ympäristösi sekä sinuun ja muihin mahdollisesti kohdistuvat vaarat siinä tapauksessa, että jousi irtoaa kaapelin vetämisen aikana.

VIITE: Jos työkalu juuttuu kiinni, päästä katkaisin heti irti.

Älä vedä kaapelia väkisin, jos se on tarttunut kiinni tai se ei liiku vaivatta. Irrota tällöin kaapeli ja poista este.

Vedä vetojousi sisään siirtämällä ohjauskytkimen sisäänvetoasentoon ja vetämällä virtakytkintä. Lopeta sisäänvetäminen, kun vetojousi on palannut aloitusasentoon. Jatkamalla sisään vetämistä voit vahingoittaa tai rikkoa kelan.

Jos työkalu sammuu syötön aikana:

- Päästä irti virtakytkimestä.
- Paina ohjauskytkin sisäänvetoasentoon.
- Vedä virtakytkimestä 3–4 sekunnin ajan.
- Paina ohjauskytkin syöttöasentoon.
- Vedä virtakytkimestä ja kokeile syöttöä uudelleen.
- Toista yllä olevat vaiheet tarvittaessa enintään viisi kertaa.
- Jos työkalu sammuu edelleen syötön aikana, kela on vaihdettava.

Jos sähköä johtamaton jousi alkaa vetäytyä kelan sisään syötön aikana:

- Päästä irti virtakytkimestä.
- Paina ohjauskytkin sisäänvetoasentoon.
- Tartu jouseen aivan kelan ulkopuolelta lujalla kädenpuristusotteella.
- Vedä virtakytkimestä ja jännitä samalla joustaa toisella kädellä, kun jousi vetäytyy takaisin kelan sisään.
- Päästä irti virtakytkimestä.
- Paina ohjauskytkin syöttöasentoon.
- Vedä virtakytkimestä ja kokeile syöttöä uudelleen.
- Toista yllä olevat vaiheet tarvittaessa enintään viisi kertaa.
- Jos työkalu jatkaa sisäänvetoa syötön aikana, kela on vaihdettava.

HUOLTO

Ota akku pois ennen kaikkia koneeseen tehtäviä toimenpiteitä.

Pyyhi ulos vedetty kierukka liinalla ja työnnä se takaisin säiliöön.

Ennen putkenpuhdistuslaitteen varastointia vedä kierukka kokonaan ulos. Puhdistusta kierukka ja kelaa se löysästi rullalle.

Käytä ainoastaan Milwaukee lisätarvikkeita ja Milwaukee varaosia.

Mikäli jokin komponentti, jota ei ole kuvailtu, tarvitsee vaihtoa ota yhteys johonkin Milwaukee palvelupisteistä (kts. listamme takuuhuoltoliikkeiden/ palvelupisteiden osoitteista)

Tarpeen vaatiessa voit pyytää lähettämään laitteen kokoonpanopiirustuksen ilmoittamalla arvokilven numeron seuraavasta osoitteesta: Techtronic Industries GmbH, Max-Eyth-Straße 10, 71364 Winnenden, Germany.

TODISTUS CE-STANDARDIN MUKAISUUDESTA

Vakuutamme täten olevamme yksin vastuussa siitä, että kohdassa "Tekniset tiedot" kuvattu tuote vastaa kaikkia direktiivien merkityksellisiä säädöksiä:

2011/65/EU (RoHS)

2006/42/EY

2014/30/EU

ja seuraavia yhdenmukaistettuja standardeja on käytetty

EN 62841-1:2015+AC:2015

EN 55014-1:2017+A1:2020

EN 55014-2:2015

EN IEC 63000:2018



Winnenden, 2020-09-21

Alexander Krug / Managing Director

Valtuutettu kokoamaan tekniset dokumentit.

Techtronic Industries GmbH

Max-Eyth-Straße 10, 71364 Winnenden, Germany



Suomi

SYMBOLIT



HUOMIO! VAROITUS! VAARA!



Lue käyttöohjeet huolellisesti, ennen koneen käynnistämistä.



Käytä laitteella työskennellessäsi aina suojalaseja.



Käytä suojakäsineitä!



Älä käytä kaapelinvetojousta jännitteisiin piireihin tai niiden lähellä



Älä käytä tikkailla seisossasi



Ota akku pois ennen kaikkia koneeseen tehtäviä toimenpiteitä.



Lisälaite - Ei sisälly vakiovarustukseen, saatavana lisätarvikkeena.



Sähkölaitteita, paristoja/akkuja ei saa hävittää yhdessä kotitalousjätteiden kanssa. Sähkölaitteet ja akut tulee kerätä erikseen ja toimittaa kierrätysliikkeeseen ympäristöystävällistä hävittämistä varten. Pyydä paikallisilta viranomaisilta tai alan kauppiaaltsi tarkemmat tiedot kierrätyspisteistä ja keräyspaikoista.

n₀ Kuormittamaton kierrosuku

V Jännite



Tasavirta



Euroopan säännönmukaisuusmerkki



Britannian säännönmukaisuusmerkki



Ukrainan säännönmukaisuusmerkki

001



Euraasian säännönmukaisuusmerkki



ΤΕΧΝΙΚΑ ΣΤΟΙΧΕΙΑ	M18 FPFT	
Ατσαλίνα έλξης καλωδίων		
Αριθμός παραγωγής	4749 40 01... ... 000001-999999	
Τάση ανταλλακτικής μπαταρίας	18 V	
Αριθμός στροφών χωρίς φορτίο	0 - 37 min ⁻¹	
Μήκος τυμπάνου ατσαλίνας	37 m	73 m
Πλάτος τυμπάνου ατσαλίνας	3 mm	
Βάρος σύμφωνα με τη διαδικασία EPTA 01/2014 (Li-Ion 2,0 Ah...12,0 Ah)	7,13...8,19 kg	8,43...9,49 kg
Μήκος τυμπάνου μη αγωγίσιμης ατσαλίνας	30 m	61 m
Βάρος σύμφωνα με τη διαδικασία EPTA 01/2014 (Li-Ion 2,0 Ah...12,0 Ah) (Μη αγωγήμη)	6,43...7,49 kg	7,03...8,09 kg
Συνιστώμενη θερμοκρασία περιβάλλοντος για τη λειτουργία	-18°C... +50°C	
Συνιστώμενη δέσμη συσσωρευτών	M18...	
Συνιστώμενη συσκευή φόρτισης	M12-18...	
Πληροφορίες θορύβου Τιμές μέτρησης εξακριβωμένες κατά EN 62841. Η σύμφωνη με την καμπύλη Α εκτιμηθείσα στάθμη θορύβου του μηχανήματος αναφέρεται σε:		
Στάθμη ηχητικής πίεσης (Ανασφάλεια K=3dB(A))	71,45 dB (A)	
Στάθμη ηχητικής ισχύος (Ανασφάλεια K=3dB(A))	82,45 dB (A)	
Φοράτε προστασία ακοής (ωτασπίδες)!		
Πληροφορίες δόνησεων Υλικές τιμές κραδασμών (άθροισμα διανυσμάτων τριών διευθύνσεων) εξακριβώθηκαν σύμφωνα με τα πρότυπα EN 62841.		
Τιμή εκπομπής δόνησεων a _h	0,64 m/s ²	
Ανασφάλεια K=	1,5 m/s ²	



EL

ΠΡΟΕΙΔΟΠΟΙΗΣΗ

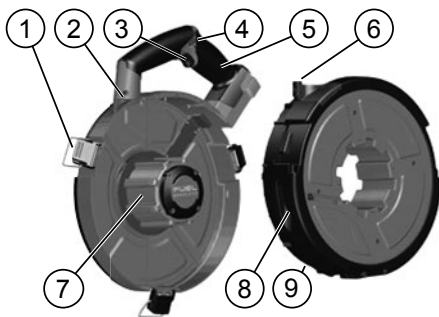
Το αναφερόμενο στο παρόν φυλλάδιο επίπεδο τιμών δόνησης και εκπομπής θορύβου έχει μετρηθεί σύμφωνα με μια τυπική μέθοδο δοκιμών κατά το πρότυπο EN 62841 και μπορεί να χρησιμοποιηθεί για τη σύγκριση εργαλείων μεταξύ τους. Μπορεί να χρησιμοποιηθεί για μια προκαταρκτική αξιολόγηση της έκθεσης.

Οι αναφερόμενες τιμές επιπέδων δόνησης και εκπομπής θορύβου αντιστοιχούν στις βασικές εφαρμογές του εργαλείου. Στην περίπτωση χρήσης του εργαλείου σε διαφορετικές εφαρμογές, με διαφορετικά εξαρτήματα ή ανεπαρκή συντήρηση, τα επίπεδα δόνησης και εκπομπών θορύβου ενδέχεται να διαφέρουν. Αυτό μπορεί να έχει ως συνέπεια μία σημαντική αύξηση των επιπέδων έκθεσης καθόλη τη διάρκεια εκτέλεσης των εργασιών.

Για μία εκτίμηση των επιπέδων έκθεσης σε δόνηση και θόρυβο πρέπει να συνυπολογίζονται οι χρόνοι απενεργοποίησης του εργαλείου ή αυτοί κατά τους οποίους παραμένει ενεργό χωρίς να εκτελείται κάποια εργασία. Αυτό μπορεί να μειώσει σημαντικά τα επίπεδα έκθεσης καθόλη τη διάρκεια εκτέλεσης των εργασιών. Ορίστε πρόσθετα μέτρα προστασίας του χειριστή από την έκθεση στη δόνηση ή/και στον θόρυβο όπως: συντήρηση του εργαλείου και των παρελκόμενων εξαρτημάτων, διατήρηση θερμότητας των χεριών, οργάνωση μοτίβων εργασίας.

Φοράτε ωτασπίδες. Η επίδραση του θορύβου μπορεί να προκαλέσει απώλεια ακοής.

⚠ ΠΡΟΕΙΔΟΠΟΙΗΣΗ! Διαβάστε όλες τις υποδείξεις ασφαλείας, τις οδηγίες, τις εικόνες και τα δεδομένα, τα οποία θα λάβετε μαζί με το μηχανήμα. Η μη τήρηση των οδηγιών που ακολουθούν, μπορεί να οδηγήσει σε ηλεκτροπληξία, φωτιά και/ή σε σοβαρούς τραυματισμούς. **Φυλάξτε όλες τις προειδοποιητικές υποδείξεις και οδηγίες για κάθε μελλοντική χρήση.**



Περιγραφή συσκευής

- ① Άγκιστρα ασφάλισης
- ② Εγκοπτή σύνδεσης
- ③ Σκανόδαλη
- ④ Διακόπτης ελέγχου
- ⑤ Λαβή
- ⑥ Άκρο
- ⑦ Πλήμνη
- ⑧ Λαβές τυμπάνου
- ⑨ Τύμπανο

⚠️ ΥΠΟΔΕΙΞΕΙΣ ΑΣΦΑΛΟΥΣ ΧΡΗΣΗΣ ΑΤΣΑΛΙΝΑΣ

Να μην χρησιμοποιείται σε ή κοντά σε ηλεκτροφόρα κυκλώματα. Επιδεικνύεται εξαιρετική προσοχή όταν εργάζεστε κοντά σε ηλεκτρικό εξοπλισμό. Όταν έλκετε μέσα από κανάλια που περιέχουν άλλα καλώδια, βεβαιωθείτε πως αυτά τα καλώδια έχουν απενεργοποιηθεί ή αποσυνδεδεί.

Όταν εκτελείτε εργασίες έλξης καλωδίων εξασφαλίστε σταθερό πάτημα και ισορροπία. Μην έλκετε ανεβαμένοι σε σκάλα. Εάν συναντήσετε κάποιο εμπόδιο ή αντίσταση όταν χειρίζεστε την ατσαλίνα, μπορεί να χάσετε την ευστάθεια και την ισορροπία σας ή τον έλεγχο από τη σκάλα.

Να χρησιμοποιείτε πάντοτε την κοινή λογική και να είστε προσεκτικοί όταν χρησιμοποιείτε εργαλεία. Δεν είναι δυνατόν να προβλεφθεί κάθε κατάσταση που μπορεί να καταλήξει σε ένα επικίνδυνο αποτέλεσμα. Μη χρησιμοποιείτε αυτό το εργαλείο, αν δεν κατανοείτε αυτές τις οδηγίες λειτουργίας ή αισθανόσθε ότι η εργασία είναι πέρα από τις δυνατότητές σας. Επικοινωνήστε με την Milwaukee Tool ή έναν εκπαιδευμένο επαγγελματία για επιπλέον πληροφορίες ή εκπαίδευση.

ΠΡΟΕΙΔΟΠΟΙΗΣΗ! Ορισμένες σκόνης που παράγονται από εργασίες με ηλεκτρικά τριβεία, πρίονια, γωνιακού τροχού, δράπανα και άλλες κατασκευαστικές δραστηριότητες περιέχουν χημικές ουσίες οι οποίες είναι γνωστές ότι προκαλούν καρκίνο, εκ γενετής παραμορφώσεις ή άλλες αναπαραγωγικές βλάβες. Μερικά παραδείγματα τέτοιων χημικών ουσιών είναι:

- μολύβδος από βαφές με βάση το μολύβδο
- κρυσταλλικό πυριτικό από τούβλα, σκυρόδεμα και άλλα προϊόντα τοιχοποιίας και
- αρσενικό και χρώμιο από χημικά επεξεργασμένη ξυλεία.

Ο κίνδυνος που διατρέχετε από αυτές τις εκθέσεις ποικίλει, ανάλογα με το πόσο συχνά εκτελείτε αυτού του είδους την εργασία.

Για να μειώσετε την έκθεσή σας σε αυτές τις χημικές ουσίες: να εργάζεστε σε έναν καλά αεριζόμενο χώρο και να εργάζεστε χρησιμοποιώντας εγκεκριμένο εξοπλισμό ασφαλείας, όπως μάσκες προστασίας από σκόνη που είναι ειδικά σχεδιασμένες για να συσφραγίζονται, μέσω φίλτρου, μικροσκοπικά σωματίδια.

Μην αφαιρείτε τις ετικέτες ή τις πινακίδες τύπου. Αυτές οι πινακίδες περιέχουν σημαντικές πληροφορίες. Είναι αυτές οι ενδεικτικές πινακίδες δυσανάγνωστες ή απουσιάζουν, τότε να απευθύνεστε στο τμήμα εξυπηρέτησης πελατών της MILWAUKEE για μια ανέξοδη αντικατάσταση αυτών.

ΠΕΡΑΙΤΕΡΩ ΟΔΗΓΙΕΣ ΑΣΦΑΛΕΙΑΣ ΚΑΙ ΧΡΗΣΗΣ

Χρησιμοποιείτε προστατευτικό εξοπλισμό. Κατά την εργασία με την μηχανή φοράτε πάντα προστατευτικά γυαλιά. Συνιστούμε επίσης προστατευτική ενδυμασία όπως επίσης μάσκα προστασίας αναπνοής, προστατευτικά γάντια, σταθερά και ασφαλή στην ολίσθηση υποδήματα, κράνος και ωτοασπίδες.

Η σκόνη που δημιουργείται κατά την εργασία είναι συχνά επιβλαβής για την υγεία και δεν επιτρέπεται να έλθει στο σώμα. Να φοράτε κατάλληλη μάσκα προστασίας από σκόνη.

Μην επεξεργάζεστε επικίνδυνα για την υγεία υλικά (π.χ. αμιάντος).

Σε περίπτωση μπλοκαρισματος της αρίδας απενεργοποιήστε αμέσως τη συσκευή! Μην ενεργοποιείτε εκ νέου τη συσκευή όσο η αρίδα είναι μπλοκαρισμένη. Σ' αυτή τη περίπτωση θα μπορούσε να προκύψει υψηλή ροπή αντίδρασης. Βρείτε την αιτία του μπλοκαρισματος της αρίδας και ξεμπλοκάρετέ την λαμβάνοντας υπόψη τις οδηγίες ασφαλείας.

Πριν από κάθε εργασία στη μηχανή αφαιρείτε την ανταλλακτική μπαταρία.

Μην πετάτε τις μεταχειρισμένες ανταλλακτικές μπαταρίες στη φωτιά ή στα οικιακά απορρίμματα. Η Milwaukee προσφέρει μια

απόσυρση των παλιών ανταλλακτικών μπαταριών σύμφωνα με τους κανόνες προστασίας του περιβάλλοντος, ρωτήστε παρακαλώ σχετικά στο ειδικό κατάστημα πώλησης.

Μην αποθηκεύετε τις ανταλλακτικές μπαταρίες μαζί με μεταλλικά αντικείμενα (κίνδυνος βραχυκυκλώματος).

Όταν υπάρχει υπερβολική καταπόνηση ή υψηλή θερμοκρασία μπορεί να τρέξει υγρό μπαταρίας από τις χαλασμένες επαναφορτιζόμενες μπαταρίες. Αν έρθετε σε επαφή με υγρό μπαταρίας να πλυθείτε αμέσως με νερό και σαπούνι. Σε περίπτωση επαφής με τα μάτια να πλυθείτε σχολαστικά για τουλάχιστον 10 λεπτά και να αναζητήσετε αμέσως ένα γιατρό.

Για να αποτρέπεται τον κίνδυνο πυρκαγιάς λόγω βραχυκυκλώματος, τραυματισμού ή ζημιές του προϊόντος, να μη βυθίζετε το εργαλείο, τον ανταλλακτικό συσσωρευτή ή τη συσκευή φόρτισης σε υγρά και να φροντίζετε, ώστε να μη διεισδύουν υγρά στις συσκευές και τους συσσωρευτές. Διαβρωτικές ή αγώγιμες υγρές ουσίες, όπως αλατόνερο, ορισμένες χημικές ουσίες και λευκαντικό ή προϊόντα που περιέχουν λευκαντικά, μπορεί να προκαλέσουν βραχυκύκλωμα. Φορτίζετε τις ανταλλακτικές μπαταρίες του συστήματος M18 μόνο με φορτιστές του συστήματος M18. Μη φορτίζετε μπαταρίες από άλλα συστήματα.

Μην ανοίγετε τις ανταλλακτικές μπαταρίες και τους φορτιστές και χρησιμοποιείτε για αποθήκευση μόνο στεγνούς χώρους.

Προστατεύετε τις ανταλλακτικές μπαταρίες και τους φορτιστές από την υγρασία.

ΧΡΗΣΗ ΣΥΜΦΩΝΑ ΜΕ ΤΟ ΣΚΟΠΟ ΠΡΟΟΡΙΣΜΟΥ

Η ατσαλίνα είναι το ιδανικό εργαλείο για την όδευση καλωδίων μέσω τοίχων και καναλιών καλωδίων.

ΜΠΑΤΑΡΙΕΣ

Επαναφορτίζετε τις ανταλλακτικές μπαταρίες που δεν έχουν χρησιμοποιηθεί για μεγαλύτερο χρονικό διάστημα πριν τη χρήση.

Μια θερμοκρασία πάνω από 50°C μειώνει την ισχύ της ανταλλακτικής μπαταρίας. Αποφύγετε τη θέρμανση για μεγαλύτερο χρονικό διάστημα από τον ήλιο ή τις συσκευές θέρμανσης.

Διατηρείτε τις επαφές σύνδεσης στο φορτιστή και στην ανταλλακτική μπαταρία καθαρές.

Για μια άριστη διάρκεια ζωής πρέπει μετά τη χρήση οι μπαταρίες να φορτιστούν πλήρως.

Για μια κατά το δυνατόν μεγάλη διάρκεια ζωής οι μπαταρίες μετά τη φόρτιση οφείλουν να αφαιρεθούν από το φορτιστή.

Για την αποθήκευση της μπαταρίας για διάστημα μεγαλύτερο των 30 ημερών: Αποθηκεύετε τη μπαταρία περ. στους 27°C σε στεγνό χώρο. Αποθηκεύετε τη μπαταρία περ. στο 30%-50% της κατάστασης φόρτισης. Κάθε 6 μήνες φορτίζετε εκ νέου τη μπαταρία.

ΜΕΤΑΦΟΡΑ ΤΩΝ ΜΠΑΤΑΡΙΩΝ ΙΟΝΤΩΝ ΛΙΘΙΟΥ

Οι μπαταρίες ιόντων λιθίου υπόκεινται στις απαιτήσεις των νομικών διατάξεων για την μεταφορά επικινδύνων εμπορευμάτων.

Η μεταφορά τέτοιων μπαταριών πρέπει να πραγματοποιείται τηρώντας τους τοπικούς, εθνικούς και διεθνείς κανονισμούς και τις αντίστοιχες διατάξεις.

Επιτρέπεται η μεταφορά τέτοιων μπαταριών στο δρόμο χωρίς περαιτέρω απαιτήσεις.

Η εμπορική μεταφορά μπαταριών ιόντων λιθίου από εταιρείες μεταφορών υπόκειται στις απαιτήσεις των νομικών διατάξεων για την μεταφορά επικινδύνων εμπορευμάτων. Οι προετοιμασίες αποστολής και η μεταφορά πραγματοποιούνται αποκλειστικά από ειδικά εκπαιδευμένα πρόσωπα. Η συνολική διαδικασία συνοδεύεται από εξειδικευμένο προσωπικό.



EL

Κατά τη μεταφορά μπαταριών ιόντων λιθίου πρέπει να προσέχετε τα εξής:

Φροντίστε τα σημεία επαφών να είναι προστατευμένα και μονωμένα ώστε να αποφευχθούν βραχυκυκλώματα. Προσέξτε το πακέτο μπαταριών να είναι σταθερό μέσα στη συσκευασία και να μη γλιστρά. Η μεταφορά μπαταριών που παρουσιάζουν φθορές ή διαρροές δεν επιτρέπεται. Για περισσότερες πληροφορίες απευθυνθείτε στην εταιρεία μετάφορων.

ΠΡΟΣΤΑΣΙΑ ΥΠΕΡΦΟΡΤΩΣΗΣ ΤΗΣ ΜΠΑΤΑΡΙΑΣ

Σε υπερφόρτωση της μπαταρίας από πολύ υψηλή καταπόνηση ρεύματος, π. χ. από ακραίες υψηλές ροπές περιστροφής, μπλοκάρισμα του τρυπανιού, δονείται το ηλεκτρικό εργαλείο για 5 δευτερόλεπτα, αναβοσβήνει η ένδειξη φόρτισης και το ηλεκτρικό εργαλείο απενεργοποιείται αυτόματα.

Για μια νέα ενεργοποίηση, αφήνετε ελεύθερο το διακόπτη και στη συνέχεια ενεργοποιείτε εκ νέου.

Κάτω από ακραίες καταπονήσεις θερμαίνεται πάρα πολύ η μπαταρία. Στην περίπτωση αυτή αναβοσβήνουν όλες οι λάμπες της ένδειξης φόρτισης μέχρι να έχει κρυώσει η μπαταρία. Μετά το σβήσιμο της ένδειξης φόρτισης μπορεί να συνεχιστεί η συνεργασία.

Τοποθετείτε στη συνέχεια τη μπαταρία στη συσκευή φόρτισης για να τη φορτίσετε πάλι και να την ενεργοποιήσετε.

ΕΠΙΠΡΟΣΘΕΤΕΣ ΣΥΜΒΟΥΛΕΣ ΓΙΑ ΤΗ ΧΡΗΣΗ

Υποστηρίζετε την ατσάλινα κατά τη χρήση.

Για την κανονική λειτουργία βλέπε την ενότητα με τις εικόνες.

Παρακολουθείτε την ατσάλινα όσο αυτή εκτείνεται. Όταν πλησιάζει σε θέση πλήρους έκτασης, η ατσάλινα επιστρωμαίνεται με κίτρινο χρώμα. Όταν εμφανιστεί το κίτρινο χρώμα, σταματήστε να την εκτείνετε. Η περαιτέρω έκταση μπορεί να προκαλέσει ζημιά ή ρήξη της ατσάλινας.

Πριν έλξετε ένα καλώδιο, έχετε επίγνωση του περιβάλλοντος χώρου και των ενδεχόμενων κινδύνων για εσάς και τρίτους σε περίπτωση ρήξης της ατσάλινας κατά την έλξη του καλωδίου.

ΥΠΟΔΕΙΞΗ: Σε περίπτωση μπλοκαρίσματος του μηχανήματος αφήνετε αμέσως το διακόπτη. Μην εξαναγκάσετε την έλξη, εάν η ατσάλινα πιαστεί κάπου ή συναντήσει ένα σημείο αντίστασης. Αντί για αυτό, αφαιρέστε το καλώδιο και απομακρύνετε το εμπόδιο.

Για να επαναφέρετε την ατσάλινα, μετακινήστε τον διακόπτη ελέγχου στη θέση επαναφοράς και πατήστε τη σκανδάλη. Σταματήστε την επαναφορά όταν η ατσάλινα επανέλθει στην αρχική της θέση. Εάν συνεχίσετε την επαναφορά, μπορεί να προκληθεί ζημιά ή ρήξη στο τύμπανο.

Εάν το εργαλείο τερματιστεί κατά τη διάρκεια της τροφοδοσίας:

- Απελευθερώστε τη σκανδάλη.
- Πιέστε τον διακόπτη ελέγχου στη θέση επαναφοράς.
- Τραβήξτε τη σκανδάλη για 3-4 δευτερόλεπτα.
- Πιέστε τον διακόπτη ελέγχου στη θέση τροφοδοσίας.
- Τραβήξτε τη σκανδάλη και προσπαθήστε να τροφοδοτήσετε ξανά.
- Επαναλάβετε τα παραπάνω βήματα έως και 5 φορές, εάν αυτό είναι απαραίτητο.
- Εάν το εργαλείο συνεχίζει να τερματίζεται κατά τη διάρκεια της τροφοδοσίας, πρέπει να αντικατασταθεί το τύμπανο.

Εάν η μη αγωγίμη ταινία αρχίσει να ανασύρεται στο τύμπανο κατά τη διάρκεια της τροφοδοσίας:

- Απελευθερώστε τη σκανδάλη.
- Πιέστε τον διακόπτη ελέγχου στη θέση επαναφοράς.

- Πιάστε και κρατήστε με δύναμη την ταινία ακριβώς έξω από το τύμπανο.
- Τραβήξτε τη σκανδάλη ενώ ασκείτε πίεση στην ταινία με το άλλο σας χέρι, καθώς η ταινία ανασύρεται στο τύμπανο.
- Απελευθερώστε τη σκανδάλη.
- Πιέστε τον διακόπτη ελέγχου στη θέση τροφοδοσίας.
- Τραβήξτε τη σκανδάλη και προσπαθήστε να τροφοδοτήσετε ξανά.
- Επαναλάβετε τα παραπάνω βήματα έως και 5 φορές, εάν αυτό είναι απαραίτητο.
- Εάν το εργαλείο συνεχίζει να ανασύρεται κατά την τροφοδοσία, πρέπει να αντικατασταθεί το τύμπανο.

ΣΥΝΤΗΡΗΣΗ

Πριν από κάθε εργασία στη μηχανή αφαιρείτε την ανταλλακτική μπαταρία.

Σκουπίστε την ελεύθερη σπείρα με ένα πανί και σπρώξτε την πάλι στον κάδο.

Πριν τη αποθήκευση του καθαριστή σωλήνων να βγάξετε τη σπείρα εξ ολοκλήρου. Καθαρίστε τη σπείρα και τυλίξτε την χαλαρά.

Χρησιμοποιείτε μόνο αξεσουάρ Milwaukee και ανταλλακτικά Milwaukee. Εξαρτήματα, που η αλλαγή τους δεν περιγράφεται, αντικαθιστώνται σε μια τεχνική υποστήριξη της Milwaukee (βλέπε φυλλάδιο εγγύηση/ διευθύνσεις τεχνικής υποστήριξης).

Όταν χρειάζεται, μπορείτε να ζητήσετε ένα σχέδιο συναρμολόγησης της συσκευής, δίνοντας τον τύπο της μηχανής και αριθμό στην πινακίδα ισχύος, από το κέντρο σέρβις ή απευθείας από τη φίρμα Techtronic Industries GmbH, Max-Eyth-Strasse 10, 71364 Winnenden, Germany.

ΔΗΛΩΣΗ ΠΙΣΤΟΤΗΤΑΣ ΕΚ

Δηλώνουμε με αποκλειστική μας ευθύνη, ότι το προϊόν που περιγράφεται στα «Τεχνικά Χαρακτηριστικά» συμμορφώνεται με όλες τις σχετικές διατάξεις των οδηγιών:

2011/65/EE (RoHS)

2006/42/EK

2014/30/EE

και έχουν εφαρμοστεί τα ακόλουθα εναρμονισμένα πρότυπα

EN 62841-1:2015+AC:2015

EN 55014-1:2017+A11:2020

EN 55014-2:2015

EN IEC 63000:2018



Winnenden, 2020-09-21

Alexander Krug / Managing Director
Εξουσιοδοτημένος να συντάξει τον τεχνικό φάκελο.
Techtronic Industries GmbH
Max-Eyth-Strasse 10, 71364 Winnenden, Germany

ΣΥΜΒΟΛΑ



ΠΡΟΣΟΧΗ! ΠΡΟΕΙΔΟΠΟΙΗΣΗ! ΚΙΝΔΥΝΟΣ!



Παρακαλώ διαβάστε σχολαστικά τις οδηγίες χρήσης πριν από την έναρξη λειτουργίας.



Στις εργασίες με τη μηχανή φοράτε πάντοτε προστατευτικά γυαλιά.



Να φοράτε προστατευτικά γάντια!



Να μην χρησιμοποιείται σε ή κοντά σε ηλεκτροφόρα κυκλώματα



Να μην χρησιμοποιείται, εάν ο χρήστης στέκεται ανεβασμένος σε σκάλα



Πριν από κάθε εργασία στη μηχανή αφαιρείτε την ανταλλακτική μπαταρία.



Εξαρτήματα - Δεν περιλαμβάνονται στα υλικά παράδοσης, συνιστούμενη προσθήκη από το πρόγραμμα εξαρτημάτων.



Ηλεκτρικά μηχανήματα, μπαταρίες/συσσωρευτές δεν επιτρέπεται να απορρίπτονται μαζί με τα οικιακά απορρίμματα. Ηλεκτρικά μηχανήματα και συσσωρευτές συλλέγονται ξεχωριστά και παραδίδονται προς ανακύκλωση με τρόπο φιλικό προς το περιβάλλον σε επιχείρηση επεξεργασίας απορριμμάτων. Ενημερωθείτε από τις τοπικές υπηρεσίες ή από ειδικευμένου εμπόρου σχετικά με κέντρα ανακύκλωσης και συλλογής απορριμμάτων.

n₀ Αριθμός στροφών χωρίς φορτίο

V Τάση

 Συνεχές ρεύμα



Ευρωπαϊκό σήμα πιστότητας



Βρετανικό σήμα πιστότητας



Ουκρανικό σήμα πιστότητας



Ευρασιατικό σήμα πιστότητας



TEKNİK VERİLER	M18 FPFT	
Hat çekme şeridi		
Üretim numarası	4749 40 01... ... 000001-999999	
Kartuş akü gerilimi	18 V	
Boştaki devir sayısı	0 - 37 min ⁻¹	
Çelik hat çekme kampana uzunluğu	37 m	73 m
Çelik hat çekme kampana genişliği	3 mm	
Ağırlığı ise EPTA-üretici 01/2014'e göre (Li-Ion 2,0 Ah...12,0 Ah)	7,13...8,19 kg	8,43...9,49 kg
İletken Olmayan kampana uzunluğu	30 m	61 m
Ağırlığı ise EPTA-üretici 01/2014'e göre (Li-Ion 2,0 Ah...12,0 Ah) (İletken Değil)	6,43...7,49 kg	7,03...8,09 kg
Çalıştırılması için tavsiye edilen ortam sıcaklığı	-18°C... +50°C	
Tavsiye edilen güç paketleri	M18...	
Tavsiye edilen şarj aletleri	M12-18...	
Gürültü bilgileri		
Ölçüm değerleri EN 62841 e göre belirlenmektedir. Aletin, frekansa bağımlı uluslararası ses basıncı seviyesi değerlendirme eğrisi A'ya göre tipik gürültü seviyesi:		
Ses basıncı seviyesi (Tolerans K=3dB(A))	71,45 dB (A)	
Akustik kapasite seviyesi (Tolerans K=3dB(A))	82,45 dB (A)	
Koruyucu kulaklık kullanın!		
Vibrasyon bilgileri		
Toplam titreşim değeri (üç yönün vektör toplamı) EN 62841'e göre belirlenmektedir:		
titreşim emisyon değeri a _h	0,64 m/s ²	
Tolerans K=	1,5 m/s ²	



UYARI

Bu bilgi formunda belirtilen titreşim ve gürültü düzeyi EN 62841 uyarınca standart bir test yöntemine göre ölçülmüş olup, bir aleti diğeriyle karşılaştırmak için kullanılabilir. Bir maruz kalma ön değerlendirmesi için de kullanılabilir.

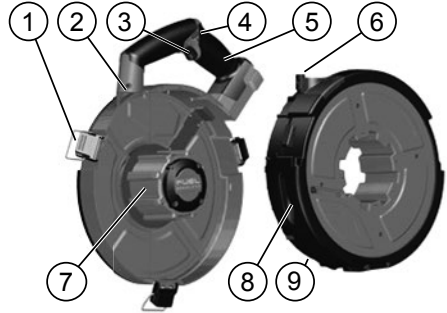
Beyan edilmiş titreşim ve gürültü emisyon değeri aletin ana uygulamalarını temsil eder. Ancak, alet farklı uygulamalar için veya farklı aksesuarlarla kullanılır ya da aletin bakımı yetersiz yapılırsa, titreşim ve gürültü emisyonu farklılık gösterebilir. Bu, toplam çalışma süresi boyunca maruz kalma seviyesini önemli ölçüde artırabilir.

Titreşim ve gürültüye maruz kalma seviyesi tahmininde, aletin kapalı olduğu veya çalıştığı, ancak aslında işini yapmadığı süreler de göz önünde bulundurulmalıdır. Bu, toplam çalışma süresi boyunca maruz kalma seviyesini önemli ölçüde azaltabilir.

Operatörü titreşim ve/veya gürültünün etkilerinden korumak için, aletin ve aksesuarların bakımını yapmak, elleri sıcak tutmak ve çalışma biçimlerini düzenlemek gibi ilave güvenlik önlemleri belirleyin.

Koruyucu kulaklık kullanın. Gürültü etkisi işitme kaybını etkiler.

⚠ UYARI! Cihazla birlikte gelen tüm güvenlik uyarılarını, talimatları, çizimleri ve bilgileri okuyun. Aşağıdaki talimat hükümlerine uymadığınız takdirde elektrik çarpması, yangın veya ağır yaralanma tehlikesi ile karşılaşabilirsiniz. **Bütün uyarıları ve talimat hükümlerini ileride kullanmak üzere saklayın.**



Cihazın tanımı

- ① Mandallar
- ② Hortum ağı çentiği
- ③ Tetik
- ④ Kumanda anahtarı
- ⑤ Tutamak
- ⑥ Hortum ağı
- ⑦ Göbek
- ⑧ Kampana kenetleri
- ⑨ Silindir

⚠️ HAT ÇEKME ŞERİDİ İÇİN GÜVENLİK UYARILARI

Gerilimli devreler üzerinde ya da yakınında kullanmayın
Elektrik ekipmanı yakınında çalışırken çok dikkatli olun.
Başka teller içeren bir kanal içinden çekerken, söz konusu tellerin akımının kapalı ya da bağlantısının kesik olduğundan emin olun.

Çekme işlemi yaparken zeminin uygun ve dengeli olmasına dikkat edin. Taşınır merdiven üzerinden çekmeyin. Bir engel ya da dirençle karşılaşıldığında, taşınır merdiven oynak olabilir, bu da denge ya da kontrol kaybına yol açabilir.

Aletleri kullanırken daima sağduyulu davranın ve dikkatli olun. Tehlike doğurabilecek her durumu önceden tahmin etmek mümkün değildir. Bu işleme talimatlarını anlamıyor veya işin sizin becerilerinizin ötesinde olduğunu hissediyorsanız, ilave bilgi ya da eğitim almak için Milwaukee Tool veya eğitimi bir uzmanla irtibata geçin.

UYARI! Elektrikli zımparalama, testereleme, taşlama, delme ve diğer yapı faaliyetlerinden kaynaklanan bazı tozlar kansere, doğum kusurlarına veya başka üreme bozukluklarına neden olduğu bilinen kimyasallar içerir. Bu kimyasallardan kaçınınız:

- kurşun bazı boyadan kaynaklanan buzları
 - tuğla, çimento ve diğer duvarcılık ürünlerinden kaynaklanan kristal silika ve
 - kimyasal işlem görmüş keresteden kaynaklanan arsenik ve krom.
- Bu malmelere maruz kalmaktan ötürü oluşan risk, bu tür işleri ne sıklıkta yaptığınıza bağlı olarak değişir.

Bu kimyasallara daha az maruz kalmak için, iyi havalandırılmış bir alanda ve mikroskobik parçacıkları filtrelemek için özel olarak tasarlanmış toz maskeleri gibi onaylı güvenlik ekipmanları kullanarak çalışın.

Etiket ve model levhalarını yerlerinden sökmeyin. Bu levhalar üzerinde önemli bilgiler bulunmaktadır. Uyarı levhaları okunaksız bir duruma geldiyse veya kaybolduysa, ücretsiz olarak yenilerini alabilmek için MILWAUKEE Müşteri Servisine başvurun.

EK GÜVENLİK VE ÇALIŞMA TALİMATLARI

Koruma teçhizatı kullanın. Makinada çalışırken devamlı surette koruyucu gözlük takın. Koruyucu elbise ve tozlardan koruma maskesi, emniyet eldivenleri ve sağlam ve kaymaya mukavim ayakkabı giyin. Başlık ve kulaklık tavsiye edilir.

Çalışma sırasında ortaya çıkan toz genellikle sağlığa zararlıdır ve bedeninize temas etmemelidir. Uygun bir koruyucu toz maskesi kullanın

Sağlık tehlikelerine neden olan malmelerin işlenmesi yasaktır (örn. asbest).

Uca yerleştirilen takımın bloke olması halinde lütfen cihazı hemen kapatın! Uca yerleştirilen takım bloke olduğu sürece cihazı tekrar çalıştırmayın; bu sırada yüksek reaksiyon momentine sahip bir geri tepme meydana gelebilir. Uca yerleştirilen takımın neden bloke olduğuna bakın ve bu durumu güvenlik uyarılarına dikkat ederek gidin.

Aletin kendingde bir çalışma yapmadan önce kartuş aküyü çıkarın. Kullanılmış kartuş aküleri ateşe veya ev çöplerine atmayın. Milwaukee, kartuş akülerin çevreye zarar vermeyecek biçimde tasfiye edilmesine olanak sağlayan hizmet sunar; lütfen bu konuda yetkili satıcınızdan bilgi alın.

Kartuş aküleri metal parça veya eşyalarla birlikte saklamayın (kısa devre tehlikesi).

Aşırı zorlanma veya aşırı ısınma sonucu hasar gören kartuş akülerden batarya sıvısı dışarı akabilir. Batarya sıvısı ile temasa gelen yer hemen bol su ve sabunla yıkayın. Batarya sıvısı gözünüze kaçacak olursa en azından 10 dakika yıkayın ve zaman geçirmeden bir hekime başvurun.

Bir kısa devreden kaynaklanan yangın, yaralanma veya ürün hasarları tehlikesini önlemek için aleti, güç paketi veya şarj cihazını asla sıvıların içine daldırmayınız ve cihazların ve pillerin içine sıvı girmesini önleyiniz. Tuzlu su, belirli kimyasallar, ağırtıcı madde veya ağartıcı madde içeren ürünler gibi korozif veya iletken sıvılar kısa devreye neden olabilir.

M18 sistemli kartuş aküleri sadece M18 sistemli şarj cihazları ile şarj edin. Başka sistemli aküleri şarj etmeyin.

Kartuş aküleri ve şarj cihazını açmayın ve sadece kuru yerlerde saklayın. Neme ve ıslanmaya karşı koruyun.

KULLANIM

Hat çekme şeridi kabloları duvarlardan ya da elektrik kanallarından geçirmek için ideal bir alettir.

AKÜ

Uzun süre kullanım dışı kalmış kartuş aküleri kullanmadan önce şarj edin.

50°C üzerindeki sıcaklıklar kartuş akünün performansını düşürür. Akünün güneş ışığı veya mekân sıcaklığı altında uzun süre ısınmamasına dikkat edin.

Şarj cihazı ve kartuş aküdeki bağlantı kontaklarını temiz tutun. Akünün ömrünün mükemmel bir şekilde uzun olması için kullandıktan sonra tamamen doldurulması gerekir.

Ömrünün mümkün olduğu kadar uzun olması için akülerin yüklemeye yapıldıktan sonra doldurma cihazından uzaklaştırılması gerekir.

Akünün 30 günden daha fazla depolanması halinde: Aküyü yaklaşık 27°C'de kuru olarak depolayın. Aküyü yükleme durumunun yaklaşık % 30 - %50 olarak depolayın. Aküyü her 6 ay yeniden doldurun.

LITYUM İYON PİLLERİN TAŞINMASI

Lityum iyon piller tehlikeli madde taşımacılığı hakkındaki yasal hükümler tabidir.

Bu piller, bölgesel, ulusal ve uluslararası yönetmeliklere ve hükümlere uyularak taşınmak zorundadır.

Tüketici bu pilleri herhangi bir özel şart aranmaksızın karayoluyla taşıyabilirler.

Lityum iyon pillerin nakliye şirketleri tarafından ticari taşımacılığı için tehlikeli madde taşımacılığının hükümleri geçerlidir. Sevki hazırlığı ve taşıma sadece ilgili eğitimi görmüş personel tarafından gerçekleştirilebilir. Bütün süreç uzmanca bir refakatçilik altında gerçekleştirilmelidir.

Pillerin taşınması sırasında aşağıdaki hususlara dikkat edilmesi gerekmektedir:

Kısa devre oluşmasını önlemek için kontakların korunmuş ve izole edilmiş olmasına sağlayınız. Pil paketinin ambalajı içinde kaymamasına dikkat ediniz. Hasarlı veya akmış pillerin taşınması yasaktır. Ayrıca bilgiler için nakliye şirketinize başvurunuz.

AKÜNÜN AŞIRI YÜKLEMENE KARŞI KORUNMASI

Pek fazla elektrik tüketiminden dolayı, örneğin aşırı fazla devir momentleri, aniden durma veya kısa devre gibi aküye aşırı yüklenme durumunda elektro cihazı 5 saniye titreşir, yükleme göstergesi yanıp söner ve elektro cihaz kendiliğinden durur. Yeniden çalıştırmak için şalter baskısını serbest bırakın ve bundan sonra tekrar çalıştırın.

Akü aşırı yüklenmeden dolayı fazla ısınır. Bu durumda akü soğuyana kadar yükleme göstergesinin bütün lambaları yanıp söner. Göstergelambalarının sönmelerinden sonra tekrar çalışmaya devam edilebilir.

Akü yükler doldurmak ve aktif hale getirmek amacı ile şarja bağlayın.



KULLANIMI İÇİN EK ÖNERİLER

Hat çekme şeridini kullanım sırasında destekleyin.

Normal çalışma için resimler bölümüne bakın.

Uzatırken, hat çekme şeridini izleyin. Hat çekme şeridinin tam boya yaklaştığı sarı boyalı bir işaretle belirtilir. Sarı işaret görüldüğünde, daha fazla uzatmayın. Daha fazla uzatmak hat çekme şeridini kırabilir ya da hasar verebilir.

Teli çekmeden önce, şeridin çekme işlemi sırasında kurtulmasının siz ve başkaları için oluşturabileceği muhtemel tehlikeleri göz önünde bulundurun.

UYARI: Alet bloke olduğunda, şalteri hemen bırakın. Engelle ya da dirençle karşılaşınca zorla çekmeye çalışmayın. Onun yerine teli çıkarıp tıkanıklığı giderin.

Hat çekme şeridini geri sarmak için kumanda anahtarını geri sarma konumuna getirip tetiğe basın. Hat çekme şeridi başlangıç konumuna geldiği zaman geri sarma işlemi durdurun. Daha fazla geri sarmak kampanayı kırabilir ya da hasara yol açabilir.

Alet Besleme sırasında kapanırsa:

- Tetiği serbest bırakın.
- Kumanda anahtarını Geri Sarma konumuna getirin.
- Tetiği 3-4 saniye boyunca çekin.
- Kumanda anahtarını Besleme konumuna getirin.
- Tetiği çelin ve yeniden beslemeyi deneyin.
- Gerekliyorsa, yukarıdaki adımları 5 kez tekrarlayın.
- Alet Besleme sırasında kapanmayı sürdürürse, silindirin değiştirilmesi gerekir.

İletken olmayan şerit Besleme sırasında silindire geri sarılmaya başlarsa:

- Tetiği serbest bırakın.
- Kumanda anahtarını Geri Sarma konumuna getirin.
- Elinizle sıkıca kavrayarak şeridi silindirin hemen dışında tutun.
- Tetiği çekin ve şerit silindire geri sararken diğer elinizle şeride gergi uygulayın.
- Tetiği serbest bırakın.
- Kumanda anahtarını Besleme konumuna getirin.
- Tetiği çelin ve yeniden beslemeyi deneyin.
- Gerekliyorsa, yukarıdaki adımları 5 kez tekrarlayın.
- Alet Besleme sırasında Geri Sarmayı sürdürürse, silindirin değiştirilmesi gerekir.

BAKIM

Aletin kendinde bir çalışma yapmadan önce kartuş aküyü çıkarın.

Açıktaki spirali bir bezle silin ve tekrar tambur içine itin.

Boru temizleme aletini kullanmadığınız zamanlarda muhafaza etmek için spirali tamamıyla açın. Spirali temizleyin ve sıkı olmaya-
cak şekilde sarın.

Sadece Milwaukee aksesuarı ve yedek parçası kullanın. Nasıl değiştirileceği açıklanmamış olan yapı parçalarını bir Milwaukee müşteri servisinde değiştirin (Garanti ve servis adresi broşürüne dikkat edin).

Gerektiği takdirde aletin dağınık görünüş şeması, alet tipinin ve tip etiketi üzerindeki sayının bildirilmesi koşuluyla müşteri servisinden veya doğrudan Techtronic Industries GmbH, Max-Eyth-Straße 10, 71364 Winnenden, Germany adresinden istenebilir.

CE UYGUNLUK BEYANI

"Teknik veriler" başlığı altında tanımlanan ürünün, sayılı direktiflerdeki tüm hükümleri:

2011/65/EU (RoHS)

2006/42/EC

2014/30/EU

uyumlaştırılmış standartları

EN 62841-1:2015+AC:2015

EN 55014-1:2017+A11:2020

EN 55014-2:2015

EN IEC 63000:2018



Winnenden, 2020-09-21

Alexander Krug / Managing Director
Teknik evrakları hazırlamakla görevlendirilmiştir.
Techtronic Industries GmbH
Max-Eyth-Straße 10, 71364 Winnenden, Germany



SEMBOLLER



DİKKAT! UYARI! TEHLİKE!



Lütfen aleti çalıştırmadan önce kullanma kılavuzunu dikkatli biçimde okuyun.



Aletle çalışırken daima koruyucu gözlük kullanın.



Koruyucu eldivenlerinizi takınız!



Gerilimli devreler üzerinde ya da yakınında kullanmayın



Taşınır merdiven üzerinde dururken kullanmayın



Aletin kendinde bir çalışma yapmadan önce kartuş aküyü çıkarın.



Aksesuar - Teslimat kapsamında değildir, önerilen tamam-
lamalar aksesuar programında.



Elektrikli cihazların, pillerin/akülerin evsel atıklarla birlikte bertaraf edilmesi yasaktır. Elektrikli cihazlar ve aküler ayrılarak biriktirilmeli ve çevreye zarar vermeden bertaraf edilmeleri için bir atık değerlendirme tesisine götürülmelidirler. Yerel makamlara veya satıcınıza geri dönüşüm tesisleri ve atık toplama merkezlerinin yerlerini danışınız.

n₀ Boştaki devir sayısı

V Voltaj

--- Doğru akım



Avrupa uyumluluk işareti



Britanya uyumluluk işareti



Ukrayna uyumluluk işareti



Avrasya uyumluluk işareti



TECHNICKÁ DATA Protahovací pero	M18 FPFT	
Výrobní číslo	4749 40 01... ... 000001-999999	
Napětí výměnného akumulátoru	18 V	
Volnoběžné otáčky	0 - 37 min ⁻¹	
Délka ocelového protahovacího pera v bubnu	37 m	73 m
Šířka ocelového protahovacího pera v bubnu	3 mm	
Hmotnost podle prováděcího předpisu EPTA 01/2014 (Li-Ion 2,0 Ah...12,0 Ah)	7,13...8,19 kg	8,43...9,49 kg
Délka protahovacího pera v bubnu z elektricky nevodivého materiálu	30 m	61 m
Hmotnost podle prováděcího předpisu EPTA 01/2014 (Li-Ion 2,0 Ah...12,0 Ah) (Z elektricky nevodivého materiálu)	6,43...7,49 kg	7,03...8,09 kg
Doporučená teplota okolí pro provoz	-18°C... +50°C	
Doporučené akupaky	M18...	
Doporučené nabíječky	M12-18...	
Informace o hluku Naměřené hodnoty odpovídají EN 62841. V třídě A posuzovaná hladina hluku přístroje činí typicky: Hladina akustického tlaku (Kolísavost K=3dB(A)) Hladina akustického výkonu (Kolísavost K=3dB(A))	71,45 dB (A) 82,45 dB (A)	
Používejte chrániče sluchu!		
Informace o vibracích Celkové hodnoty vibrací (vektorový součet tří směrů) zjištěné smyslu EN 62841. Hodnota vibračních emisí a _v Kolísavost K=	0,64 m/s ² 1,5 m/s ²	



VAROVÁNÍ

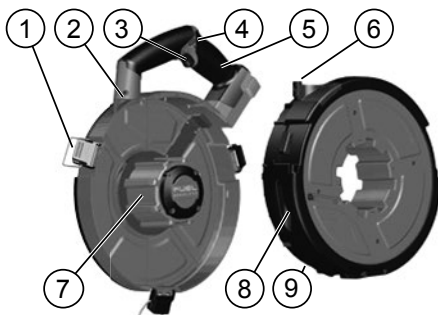
Hladina vibrací a emisí hluku uvedená v tomto informačním listu byla měřena v souladu se standardizovanou zkouškou uvedenou v normě EN 62841 a může být použita ke srovnání jednoho nástroje s jiným. Může být použita k předběžnému posouzení expozice. Deklarovaná úroveň vibrací a emisí hluku představuje hlavní použití nástroje. Pokud se však nástroj používá pro různé aplikace, s různými příslušenstvími nebo s nedostatečnou údržbou, mohou se vibrace a emise hluku lišit. To může výrazně zvýšit úroveň expozice v průběhu celé pracovní doby.

Odhad úrovně expozice vibracím a hluku by měl také vzít v úvahu dobu, kdy je nástroj vypnutý nebo když běží, ale ve skutečnosti neprovádí úlohu. To může výrazně snížit úroveň expozice v průběhu celé pracovní doby.

Identifikujte dodatečná bezpečnostní opatření k ochraně pracovníka obsluhy před účinky vibrací a/nebo hluku, například: údržba nástroje a příslušenství, udržování rukou v teple, organizace pracovních schémat.

Používejte chrániče sluchu. Nadměrný hluk může vést ke ztrátě sluchu.

⚠ VAROVÁNÍ! Přečtěte si všechny bezpečnostní pokyny, instrukce, popisy a údaje, které obdržíte s přístrojem. Pokud následující pokyny nedodržíte, může to vést k úderu elektrickým proudem, požáru nebo těžkým poraněním. **Všechna varovná upozornění a pokyny do budoucna uschovejte.**



Popis zařízení

- ① Uzavírací klapy
- ② Drážka dýzy
- ③ Spoušť
- ④ Ovládací spínač
- ⑤ Rukojeť
- ⑥ Dýza
- ⑦ Střed navíjení
- ⑧ Upínače na bubnu
- ⑨ Buben

▲ BEZPEČNOSTNÍ UPOZORNĚNÍ PRO PROTAHOVACÍ PERO

Nepoužívejte na elektrickém vedení pod napětím nebo v jeho blízkosti. Při práci v blízkosti elektrického zařízení postupujte s maximální obezřetností. Při protahování skrze rozvody, ve kterých se nachází jiné vedení, se nejprve ujistěte, zda toto vedení není pod proudem nebo zda bylo odpojeno od elektrické sítě.

Při protahování kabelů stůjte na pevném a stabilním podkladu. Kabely neprotahujte při stání na žebříku. V případě zaseknutí pera či problému s třecím odporem by nemusel být žebřík stabilní a mohlo by dojít ke ztrátě rovnováhy nebo kontroly.

Vždy používejte zdravý rozum a buďte opatrní při používání nářadí. Nemíjte možné předvídat každou situaci, která by mohla vést k nebezpečným důsledkům. Nepoužívejte toto nářadí, pokud nerozumíte tomuto návodu k obsluze nebo pokud máte pocit, že práce je nad rámec Vašich schopností. Obratě se na Milwaukee Tool nebo vyškolený profesionál pro další informace nebo školení.

VAROVÁNÍ! Některý prach vytvořený silovým broušením, řezáním, broušením, vrtáním a jinými stavebními činnostmi obsahuje chemikálie, o kterých je známo, že způsobují rakovinu, vrozené vady nebo jiné reprodukční chyby. Některé příklady těchto chemikálií jsou:

- olovo z nátěrů na bázi olova
- krystalický křemen z cihel a cementu a jiných zdicích výrobků a
- arsen a chrom z chemicky ošetřovaného řeziva.

Vaše riziko z těchto expozic se liší v závislosti na tom, jak často děláte tento typ práce.

Pro snížení Vaší expozice těmto chemikáliím: pracujte v dobře větraném prostoru a pracujte se schváleným bezpečnostním vybavením, jako jsou masky na ochranu proti prachu, které jsou speciálně určeny k filtrování mikroskopických částic.

Etikety a typové štítky neodstraňujte. Tyto štítky obsahují důležité informace. Pokud jsou tyto štítky s pokyny nečitelné nebo chybějí, obraťte se na servisní centrum pro zákazník spol. MILWAUKEE, abyste bezplatně získali jejich náhradu.

DALŠÍ BEZPEČNOSTNÍ A PRACOVNÍ POKYNY

Použijte ochranné vybavení. Při práci s elektrickým nářadím používejte vždy ochranné brýle. Doporučujeme rovněž použití součástí ochranného oděvu a ochranné obuvi, jako protiprašné masky, ochranných rukavic, pevné a nekouzlující obuvi, ochranné přilby a ochrany sluchu.

Prach vznikající při práci s tímto nářadím může být zdraví škodlivý. Proto by neměl přijít do styku s tělem. Používejte při práci vhodnou ochranou masku.

Nesmějí se opracovávat materiály, které mohou způsobit ohrožení zdraví (např. azbest)

Při zablokování nasazeného nástroje přístroj okamžitě vypněte! Přístroj nezapínejte, pokud je nasazený nástroj zablokovaný; mohl by při tom vzniknout zpětný náraz s vysokým reakčním momentem. Zjistěte příčinu zablokování nasazeného nástroje a odstraňte ji při dodržení bezpečnostních pokynů.

Před zahájením veškerých prací na vrtacím šroubováku vyjmout výměnný akumulátor.

Použité nevyhazujte do domovního odpadu nebo do ohně. Milwaukee nabízí ekologickou likvidaci starých článků, ptejte se u vašeho obchodníka s nářadím.

Náhradní akumulátor neskladujte s kovovými předměty, nebezpečí zkratu.

Při extrémní zátěži či vysoké teplotě může z akumulátoru vytékat kapalina. Při zasažení touto kapalinou okamžitě zasažená místa

omyjte vodou a mýdlem. Při zasažení očí okamžitě důkladně po dobu alespoň 10min. omyvat a neodkládně vyhledat lékaře.

Abyste zabránili nebezpečí požáru způsobeného zkratem, poraněním nebo poškozením výrobku, neponořujte nářadí, výměnnou baterii nebo nabíječku do kapalin a zajistěte, aby do zařízení a akumulátorů nevnikly žádné tekutiny. Korodující nebo vodivé kapaliny, jako je slaná voda, určité chemikálie a bělicí prostředky nebo výrobky, které obsahují bělidlo, mohou způsobit zkrat.

Akumulátor systému M18 nabíjejte pouze nabíječkou systému M18. Nenabíjejte akumulátory jiných systémů.

Náhradní akumulátory ani nabíječku neotvírejte, skladujte je v suchu, chráňte před vlhkem.

OBLAST VYUŽITÍ

Protahovací pero je ideálním nástrojem k protahování kabelů dutinami ve stěnách nebo elektrickými instalačními trubkami.

AKUMULÁTORY

Děle nepoužívané akumulátory je nutné před použitím znovu nabít. Teplota přes 50°C snižuje výkon akumulátorů. Chraňte před dlouhým přehříváním na slunci či u topení.

Kontakty nabíječky a akumulátoru udržujte v čistotě.

Pro optimální životnost je nutné akumulátory po použití plně dobít. K zabezpečení dlouhé životnosti by se akumulátory měly po nabití vyjmout z nabíječky.

Při skladování akumulátoru po dobu delší než 30 dní: Skladujte akumulátor v suchu při cca 27°C. Skladujte akumulátor při cca 30%-50% nabíjecí kapacity. Opakujte nabíjení akumulátoru každých 6 měsíců.

PŘEPRAVA LITHIUM-IONTOVÝCH BATERIÍ

Lithium-iontové baterie spadají podle zákonných ustanovení pod přepravu nebezpečného nákladu.

Přeprava těchto baterií se musí realizovat s dodržováním lokálních, vnitrostátních a mezinárodních předpisů a ustanovení.

Spotřebitelé mohou tyto baterie bez problémů přepravovat po komunikacích.

Komerční přeprava lithium-iontových baterií prostřednictvím přepravních firem podléhá ustanovením o přepravě nebezpečného nákladu. Přípravu k vyexpedování a samotnou přepravu smějí vykonávat jen příslušně vyškolené osoby. Na celý proces se musí odborně dohlížet.

Při přepravě baterií je třeba dodržovat následující:

Zajistěte, aby kontakty byly chráněné a izolované, aby se zamezilo zkratům. Dávejte pozor na to, aby se svazek baterií v rámci balení nemohl sesmeknout. Poškozené a vyteklé baterie se nesmějí přepravovat. Ohledně dalších informací se obraťte na vaši přepravní firmu.

OCHRANA PROTI PŘETÍŽENÍ AKUMULÁTORU

Při přetížení akumulátoru přilíš vysokou spotřebou proudu, například při extrémně vysokém kroučícím momentu, začne elektrické nářadí po dobu 5 sekund vibrovat, indikátor dobíjení začne blikat a motor se následně samočinně vypne.

K opětovnému zapnutí uvolněte a následně opět stiskněte tlačítkový vypínač.

Při extrémním zatížení dochází k příliš vysokému ohřevu akumulátoru. V tomto případě začnou blikat všechny kontrolky indikátoru dobíjení a blikají tak dlouho, dokud se akumulátor opět neochladí.



V okamžiku, kdy indikátor dobití přestane blikat, je možné v práci opět pokračovat.

Akumulátor v tomto případě k dobití a aktivaci vložte opět do nabíječky.

DOPLŇKOVÉ TIPY K POUŽITÍ.

Při používání protahovací pero podpírejte.

Pokyny pro běžné použití jsou uvedeny v části s obrázky.

Při odvíjení protahovacího pera sledujte jeho pohyb. Když se budete při odvíjení pera blížit ke konci, objeví se žluté nabarvená část. Pokud se tak stane, pero již dále neodvíjejte. Jinak by mohlo dojít k poškození nebo zlomení protahovacího pera.

Před tím, než začnete vodič protahovat, myslete na své okolí a možná bezprostřední rizika, která by mohla ohrozit vás či jiné osoby v případě, že by se při přetahování pero zlomilo.

UPOZORNĚNÍ: Pokud je nástroj zablokovaný, okamžitě pusťte spínač. Pokud se pero zaseklo nebo při protahování ucítíte odpor proti pohybu, pero netačte silou. Místo toho vytáhněte vodič a překážku odstraňte.

Budete-li chtít protahovací pero svinout, přepněte ovládací spínač do polohy pro svinutí pera a zatáhněte spouštěč. Jakmile se protahovací pero zcela svine do původní polohy, spoušť uvolněte. Jinak by mohlo dojít k poškození nebo zlomení bubnu.

Pokud se nástroj zastaví během Vysouvání:

- Uvolněte spouštěcí spínač.
- Zatlačte ovládací spínač do polohy Stahování.
- Zatáhněte spouštěcí spínač na 3-4 sekundy.
- Zatlačte ovládací spínač do polohy Vysouvání.
- Zatáhněte spouštěcí spínač a pokuste se znovu vysouvat.
- Pokud je to nutné, výše uvedené kroky opakujte až 5krát.
- Pokud se nástroj znovu zastavuje během Vysouvání, bubnen musí být vyměněn.

Pokud se nevodivá páska začne během Vysouvání stahovat do bubnu:

- Uvolněte spouštěcí spínač.
- Zatlačte ovládací spínač do polohy Stahování.
- Uchopte pásku těsně za bubnen pomocí silného stisknutí rukou.
- Když se páska stahuje zpět do bubnu, zatáhněte spouštěcí spínač, přičemž druhou rukou přitahujete pásku.
- Uvolněte spouštěcí spínač.
- Zatlačte ovládací spínač do polohy Vysouvání.
- Zatáhněte spouštěcí spínač a pokuste se znovu vysouvat.
- Pokud je to nutné, výše uvedené kroky opakujte až 5krát.
- Pokud se nástroj znovu stahuje během Vysouvání, bubnen musí být vyměněn.

ÚDRŽBA

Před zahájením veškerých prací na vrtacím šroubováků vyjmout výměnný akumulátor.

Volně ležící spirálu utřete hadrem a znovu zasuňte do bubnu.

Před uskladněním čistíčky potrubí spirálu kompletně vytáhněte ven. Spirálu vyčistěte a volně naviňte.

Používat výhradně příslušenství Milwaukee a náhradní díly Milwaukee. Díly jejichž výměny nebyla popsána, nechte vyměnit v autorizovaném servisu (viz. "Záruky / Seznam servisních míst")

Při potřebě podrobného rozkresu konstrukce, oslovte informaci o typu a čísle přímo servis a nebo výrobce, Techtronic Industries GmbH, Max-Eyth-Straße 10, 71364 Winnenden, Germany.

CE-PROHLÁŠENÍ O SHODĚ

Prohlašujeme na naši výhradní odpovědnost, že produkt popsán v části „Technické údaje“ splňuje všechna příslušná ustanovení směrnice:

2011/65/EU (RoHS)

2006/42/ES

2014/30/EU

a byly použity následující harmonizované normy

EN 62841-1:2015+AC:2015

EN 55014-1:2017+A11:2020

EN 55014-2:2015

EN IEC 63000:2018



Winnenden, 2020-09-21

Alexander Krug / Managing Director
Zplnomocněn k sestavování technických podkladů.
Techtronic Industries GmbH
Max-Eyth-Straße 10, 71364 Winnenden, Germany



SYMBOLY



POZOR! VAROVÁNÍ! NEBEZPEČÍ!



Před spuštěním stroje si pečlivě přečtěte návod k používání.



Při práci se strojem neustále nosit ochranné brýle.



Používejte ochranné rukavice!



Nepoužívejte na elektrickém vedení pod napětím nebo v jeho blízkosti



Nepoužívejte při stání na žebříku



Před zahájením veškerých prací na vrtacím šroubováku vyjmout výměnný akumulátor.




Příslušenství není součástí dodávky, viz program příslušenství.




Elektrická zařízení, baterie/akumulátory se nesmí likvidovat společně s odpadem z domácnosti. Elektrická zařízení, baterie/akumulátory je třeba sbírat odděleně a odevzdat je v recyklačním podniku na ekologickou likvidaci. Na místních úřadech nebo u vašeho specializovaného prodejce se informujte na recyklační podniky a sběrné dvory.

n₀ Volnoběžné otáčky


V napětí

 Stejnoseměrný proud

 Značka shody v Evropě

 Značka shody v Británii

 Značka shody na Ukrajině

 Značka shody pro oblast Eurasie



TECHNICKÉ ÚDAJE	M18 FPFT	
Preťahovacie pero		
Výrobné číslo	4749 40 01... ... 000001-999999	
Napätie výmenného akumulátora	18 V	
Otáčky naprázdno	0 - 37 min ⁻¹	
Dĺžka ocelového preťahovacieho pera v bubne	37 m	73 m
Šírka ocelového preťahovacieho pera v bubne	3 mm	
Hmotnosť podľa vykonávacieho predpisu EPTA 01/2014 (Li-Ion 2,0 Ah...12,0 Ah)	7,13...8,19 kg	8,43...9,49 kg
Dĺžka preťahovacieho pera v bubne z elektricky nevodivého materiálu	30 m	61 m
Hmotnosť podľa vykonávacieho predpisu EPTA 01/2014 (Li-Ion 2,0 Ah...12,0 Ah) (Z elektricky nevodivého materiálu)	6,43...7,49 kg	7,03...8,09 kg
Odporúčaná teplota okolia pre prevádzku	-18°C... +50°C	
Odporúčané akupaky	M18...	
Odporúčané nabíjačky	M12-18...	
Informácia o hluku		
Namerané hodnoty určené v súlade s EN 62841. V triede A posudzovaná hladina hluku prístroja činí typicky:		
Hladina akustického tlaku (Kolisavosť K=3dB(A))	71,45 dB (A)	
Hladina akustického výkonu (Kolisavosť K=3dB(A))	82,45 dB (A)	
Používajte ochranu sluchu!		
Informácie o vibráciách		
Celkové hodnoty vibrácií (vektorový súčet troch smerov) zistených zmysle EN 62841.		
Hodnota vibračných emisií a _h	0,64 m/s ²	
Kolisavosť K=	1,5 m/s ²	



Slov

POZOR

Úroveň vibrácií a emisií hluku uvedená v tomto informačnom liste bola meraná v súlade so štandardizovanou skúškou uvedenou v EN 62841 a môže sa použiť na porovnanie jedného nástroja s druhým. Môže sa použiť v predbežnom posúdení expozície.

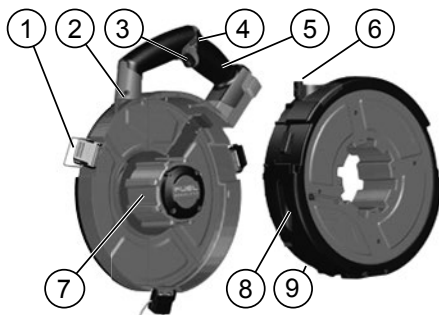
Deklarovaná úroveň vibrácií a emisií hluku predstavuje hlavné aplikácie nástroja. Ak sa však nástroj používa pre rôzne aplikácie, s rôznym príslušenstvom alebo s nedostatočnou údržbou, môžu sa vibrácie a emisie hluku líšiť. To môže výrazne zvýšiť úroveň expozície počas celej pracovnej doby.

Odhad úrovne expozície vibráciám a hluku by mal tiež brať do úvahy čas, keď je nástroj vypnutý alebo keď beží, ale v skutočnosti nevykonáva prácu. To môže výrazne znížiť úroveň expozície počas celej pracovnej doby.

Identifikujte dodatočné bezpečnostné opatrenia na ochranu pracovníka obsluhy pred účinkami vibrácií a/alebo hluku, ako je: údržba nástroja a príslušenstva, udržanie teplých rúk, organizácia pracovných schém.

Používajte ochranu sluchu. Nadmerný hluk môže viesť k strate sluchu.

⚠ POZOR! Prečítajte si všetky bezpečnostné upozornenia, pokyny, vyobrazenia a údaje, ktoré dostanete spolu s prístrojom. Ak by ste nedodržali nasledujúce pokyny, mohlo by to mať za následok zásah elektrickým prúdom, vznik požiaru a/alebo vážne poranenie. **Tieto Výstražné upozornenia a bezpečnostné pokyny starostlivo uschovajte na budúce použitie.**



Opis zariadenia

- ① Uzavieracie klapky
- ② Drážka dýzy
- ③ Spúšťač
- ④ Ovládaci spínač
- ⑤ Rukoväť
- ⑥ Dýza
- ⑦ Stred navíjania
- ⑧ Upínače na bubne
- ⑨ Bubon

▲ BEZPEČNOSTNÉ UPOZORNENIA PRE PREŤAHOVACIE PERO

Nepoužívajte na obvodoch pod napätím alebo v ich blízkosti Pri práci v blízkosti elektrického zariadenia buďte veľmi opatrní. Pri preťahovaní cez potrubie, ktoré obsahuje akékoľvek iné vodiče, sa uistite, že napájanie týchto vodičov bolo vypnuté alebo odpojené.

Pri preťahovaní káblov udržiavajte správny postoj a rovnováhu. Nepreťahujte z rebrička. Ak dôjde k zaseknutiu alebo odporu, rebrik sa môže stať nestabilným, čo môže mať za následok stratu rovnováhy alebo kontroly.

Vždy používajte zdravý rozum a buďte opatrní pri používaní náradia. Nie je možné predvídať každú situáciu, ktorá by mohla viesť k nebezpečným dôsledkom. Nepoužívajte toto náradie, ak nerozumiete tomuto návodu na obsluhu alebo ak máte pocit, že práca je nad rámec Vašich schopností. Obráťte sa na Milwaukee Tool alebo vyškolený profesionál pre ďalšie informácie alebo školenie.

POZOR! Niektorý prach vytvorený silovým brúsením, pílením, brúsením, vrútaním a inými stavebnými činnosťami obsahuje chemikálie, o ktorých je známe, že spôsobujú rakovinu, vrodené chyby alebo iné reprodukčné chyby. Niektoré príklady týchto chemikálií sú:

- olovo z náterov na báze olova
- kryštalický kremeň z tehál a cementu a iných murovacích výrobkov a
- arzén a chróm z chemicky ošetrovaného reziva.

Vaše riziko z týchto expozícií sa líši v závislosti od toho, ako často robíte tento typ práce.

Na zníženie Vašej expozície týmto chemikáliám: pracujte v dobre vetranom priestore a pracujte so schváleným bezpečnostným vybavením, ako sú masky na ochranu proti prachu, ktoré sú špeciálne určené na filtrovanie mikroskopických častí.

Etikety a typové štítky neodstraňujte. Tieto štítky obsahujú dôležité informácie. Keď sú tieto štítky s pokynmi nečitateľné alebo chýbajú, obráťte sa na servisné centrum pre zákazníkov spol. MILWAUKEE, aby ste bezplatne získali ich náhradu.

ĎALŠIE BEZPEČNOSTNÉ A PRACOVNÉ POKYNY

Použite ochranné vybavenie. Pri práci s elektrickým náradím používajte vždy ochranné okuliare. Doporučujeme taktiež použitie súčastí ochranného odevu a ochrannej obuvi, ako sú protiprašná maska, ochranné rukavice, pevná a neklzajúca obuv, ochranná prilba a ochrana sluchu.

Prach vznikajúci pri práci môže byť škodlivý zdraviu. Pri práci nosiť vhodnú ochrannú masku, aby sa nedostal do ľudského organizmu. Nesmú sa opracovávať materiály, ktoré môžu spôsobiť ohrozenie zdravia (napr. azbest)

Pri zablokovaní nasadeného nástroja prístroj okamžite vypnite! Prístroj nezapínajte, pokiaľ je nasadený nástroj zablokovaný; mohol by pri tom vzniknúť spätný náraz s vysokým reakčným momentom. Príčinu zablokovania nasadeného nástroja zistite a odstráňte so zohľadnením bezpečnostných pokynov.

Pred každou prácou na stroji výmenný akumulátor vytiahnuť.

Opotrebované výmenné akumulátory nezhadzujte do ohňa alebo medzi domový odpad. Milwaukee ponúka likvidáciu starých výmenných akumulátorov, ktorá je v súlade s ochranou životného prostredia; informujte sa u Vášho predajcu.

Výmenné akumulátory neskladovať spolu s kovovými predmetmi (nebezpečenstvo skratu).

Pri extrémnych záťažiach alebo extrémnych teplotách môže dôjsť k vytiekaniu batérovej tekutiny z poškodeného výmenného

akumulátora. Ak dôjde ku kontaktu pokožky s roztokom, postihnute miesto umyť vodou a mydlom. Ak sa roztok dostane do očí, okamžite ich dôkladne vypláchnuť po dobu min. 10 min a bezodkladne vyhľadať lekára.

Aby ste zabránili nebezpečenstvu požiaru spôsobeného skratom, poraneniam alebo poškodeniam výrobku, neponárajte náradie, výmennú batériu alebo nabíjačku do kvapalín a postarajte sa o to, aby do zariadení a akumulátorov nevnikli žiadne tekutiny. Korodujúce alebo vodivé kvapaliny, ako je slaná voda, určité chemikálie a bieliace prostriedky alebo výrobky, ktoré obsahujú bieliadlo, môžu spôsobiť skrat.

Výmenné akumulátory systému M18 nabíjať len nabíjacími zariadeniami systému M18. Akumulátory iných systémov týmto zariadením nenabíjajú.

Výmenné akumulátory a nabíjacie zariadenia neotvárať a skladovať len v suchých priestoroch. Chrániť pred vlhkosťou.

POUŽITIE PODĽA PREDPISOV

Preťahovacie pero je ideálnym nástrojom na vedenie drôtov stenami a elektrickým vedením.

AKUMULÁTORY

Dlhší čas nepoužívané výmenné akumulátory pred použitím dobiť. Teplota vyššia ako 50°C znižuje výkon výmenného akumulátora. Zabráňte dlhšiemu ohriatiu slnkom alebo kúrením.

Pripájacie kontakty na nabíjacom zariadení a výmennom akumulátore udržiavať čisté.

Pre optimálnu životnosť je nutné akumulátory po použití plne dobiť.

K zabezpečeniu dlhej životnosti by sa akumulátory mali po nabití vybrať z nabíjačky.

Pri skladovaní akumulátora po dobu dlhšiu než 30 dní: Skladujte akumulátor v suchu pri cca 27°C. Skladujte akumulátor pri cca 30%-50% nabíjacej kapacity. Opakujte nabíjanie akumulátora každých 6 mesiacov.

PREPRAVA LÍTIOVO-IÓNOVÝCH BATÉRIÍ

Lítiovo-iónové batérie podľa zákonných ustanovení spadajú pod prepravu nebezpečného nákladu.

Preprava týchto batérií sa musí realizovať s dodržiavaním lokálnych, vnútroštátnych a medzinárodných predpisov a ustanovení.

Spotrebiteľia môžu tieto batérie bez problémov prepravovať po cestách.

Komerčná preprava lítiovo-iónových batérií prostredníctvom špedičných firiem podlieha ustanoveniam o preprave nebezpečného nákladu. Prípravu k vy Expedovaniu a samotnú prepravu smú vykonávať iba adekvátne vyškolené osoby. Na celý proces sa musí odborne dohliadať.

Pri preprave batérií treba dodržiavať nasledovné:

Zabezpečte, aby boli kontakty chránené a izolované, aby sa zamedzilo skratom. Dávajte pozor na to, aby sa zväzok batérií v rámci balenia nemohol zošmyknúť. Poškodené a vytečené batérie sa nesmú prepravovať. Kvôli ďalším informáciám sa obráťte na vašu špedičnú firmu.



Slovo

OCHRANA PROTI PREŤAŽENIU AKUMULÁTORA

Pri preťažení akumulátora príliš vysokou spotrebou prúdu, napríklad pri extrémne vysokom krútiacom momente, začne elektrické náradie po dobu 5 sekúnd vibrovať, indikátor dobijania začne blikať a motor sa následne samočinne vypne.

K opätovnému zapnutiu uvoľnite a následne opäť stlačte tlačidlo vypínača.

Pri extrémnom zatažení dochádza k príliš vysokému ohrevu akumulátora. V tomto prípade začnú blikať všetky kontrolky indikátora dobijania a blikajú tak dlho, dokiaľ sa akumulátor opäť neochladí. V okamihu, keď indikátor dobijania prestane blikať, je možné v práci opäť pokračovať.

Akumulátor v tomto prípade k dobitiu a aktivácii vložte opäť do nabíjačky.

DOPLNKOVÉ TIPY K POUŽITIU

Počas používania pretahovacie pero podopierajte.

Normálnu prevádzku nájdete v časti s obrázkami.

Počas odvíjania pretahovacie pero sledujte. Pri približovaní sa k úplnému odvinutiu bude pretahovacie pero označené žltou farbou. Akonáhle je viditeľná žltá farba, prestaňte odvíjať. Ďalšie odvíjanie by mohlo poškodiť alebo zlomiť pretahovacie pero.

Pred pretahovaním drôtu dbajte na svoje okolie a potenciálne riziká ohrozujúce vás a ostatných ľudí pre prípad, že by sa pero pri pretahovaní zlomilo.

UPOZORNENIE: Keď je nástroj zablokovaný, okamžite pustite spínač. Pokiaľ sa pero zaseklo alebo pri pretahovaní pocítite odpor proti pohybu, pero netlačte silou. Namiesto toho vyberte drôt a odstráňte prekážku.

Ak chcete pretahovacie pero zvinúť, prepnite ovládací spínač do polohy pre zvinutie a potiahnite spúšť. Keď sa pretahovacie pero úplne zvine do pôvodnej pozície, spúšť uvoľnite. Inak by mohlo dôjsť k poškodeniu alebo zlomeniu bubna.

Ak sa nástroj zastaví počas Vysúvania:

- Uvoľnite spúšťač.
- Zatlačte ovládací spínač do polohy Sťahovanie.
- Potiahnite spúšťač na 3-4 sekundy.
- Zatlačte ovládací spínač do polohy Vysúvanie.
- Potiahnite spúšťač a pokúste sa znova vysúvať.
- Ak je to potrebné, vyššie uvedené kroky opakujte až 5 krát.
- Ak sa nástroj opätovne zastavuje počas Vysúvania, bubon musí byť vymenený.

Ak sa nevodivá páska začne počas Vysúvania sťahovať do bubna:

- Uvoľnite spúšťač.
- Zatlačte ovládací spínač do polohy Sťahovanie.
- Uchopte pásku tesne za bubnom pomocou silného stisnutia ruky.
- Keď sa páska zatahuje späť do bubna, potiahnite spúšťač, pričom druhou rukou pritiahujte pásku.
- Uvoľnite spúšťač.
- Zatlačte ovládací spínač do polohy Vysúvanie.
- Potiahnite spúšťač a pokúste sa znova vysúvať.
- Ak je to potrebné, vyššie uvedené kroky opakujte až 5 krát.
- Ak sa nástroj opätovne zatahuje počas Vysúvania, bubon musí byť vymenený.

ÚDRZBA

Pred každou prácou na stroji výmenný akumulátor vytriahnuť.

Voľne ležiacu špirálu utrite handrou a znovu zasuňte do bubna.

Pred uskladnením čističky potrubia špirálu kompletne vytriahnite von. Špirálu vyčistite a voľne naviňte.

Používať len Milwaukee príslušenstvo a Milwaukee náhradné diely. Súčiastky bez návodu na výmenu treba dať vymeniť v jednom z Milwaukee zákaznických centier (viď brožúru Záruka/Adresy zákaznických centier).

Pri udaní typu stroja a čísla nachádzajúceho sa na štítku dá sa v prípade potreby vyžiadať explozívna schéma prístroja od vášho zákaznického centra alebo priamo v Techtronic Industries GmbH, Max-Eyth-Straße 10, 71364 Winnenden, Germany.

CE - VYHLÁSENIE KONFORMITY

Na našu výhradnú zodpovednosť vyhlasujeme, že produkt popísaný v časti „Technické údaje“ spĺňa všetky príslušné ustanovenia smerníc:

2011/65/EÚ (RoHS)

2006/42/ES

2014/30/EÚ

a boli použité nasledovné harmonizované normy

EN 62841-1:2015+AC:2015

EN 55014-1:2017+A11:2020

EN 55014-2:2015

EN IEC 63000:2018



Winnenden, 2020-09-21

Alexander Krug / Managing Director

Splnomocnený zostaviť technické podklady.

Techtronic Industries GmbH

Max-Eyth-Straße 10, 71364 Winnenden, Germany

SYMBOLY



POZOR! NEBEZPEČENSTVO!



Pred prvým použitím prístroja si pozorne prečítajte návod na obsluhu.



Pri práci so strojom vždy noszte ochranné okuliare.



Používajte ochranné rukavice!



Nepoužívajte na obvodoch pod napätím alebo v ich blízkosti



Nepoužívajte, keď stojíte na rebríku



Pred každou prácou na stroji výmenný akumulátor vytiahnuť.



Príslušenstvo - nie je súčasťou štandardnej výbavy, odporúčané doplnenie z programu príslušenstva.



Elektrické zariadenia, batérie/akumulátory sa nesmú likvidovať spolu s odpadom z domácností. Elektrické zariadenia, batérie/akumulátory treba zbierať oddelene a odovzdať ich v recyklačnom podniku na ekologickú likvidáciu. Na miestnych úradoch alebo u vášho špecializovaného predajcu sa spýtajte na recyklačné podniky a zberné dvory.

n₀ Otáčky naprázdno

V Napätie

— — — Jednosmerný prúd



Značka zhody v Európe



Značka zhody v Británii



Značka zhody na Ukrajine



Značka zhody pre oblasť Eurázie



DANE TECHNICZNE	M18 FPFT	
Pilot do wciągania przewodów		
Numer produkcyjny	4749 40 01... ... 000001-999999	
Napięcie baterii akumulatorowej	18 V	
Prędkość bez obciążenia	0 - 37 min ⁻¹	
Długość stalowej taśmy w bębnie	37 m	73 m
Szerokość stalowej taśmy w bębnie	3 mm	
Ciężar wg procedury EPTA 01/2014 (Li-Ion 2,0 Ah...12,0 Ah)	7,13...8,19 kg	8,43...9,49 kg
Długość taśmy w nieprzewodzącym bębnie	30 m	61 m
Ciężar wg procedury EPTA 01/2014 (Li-Ion 2,0 Ah...12,0 Ah) (Nieprzewodzący)	6,43...7,49 kg	7,03...8,09 kg
Zalecana temperatura otoczenia w trakcie eksploatacji	-18°C... +50°C	
Zalecane zestawy akumulatorowe	M18...	
Zalecane ładowarki	M12-18...	
Informacja dotycząca szumów		
Zmierzone wartości wyznaczono zgodnie z normą EN 62841. Poziom szumów urządzenia oszacowany jako A wynosi typowo:		
Poziom ciśnienia akustycznego (Niepewność K=3dB(A))	71,45 dB (A)	
Poziom mocy akustycznej (Niepewność K=3dB(A))	82,45 dB (A)	
Należy używać ochroniaczy uszu!		
Informacje dotyczące wibracji		
Wartości łączne drgań (suma wektorowa trzech kierunków) wyznaczone zgodnie z normą EN 62841		
Wartość emisji drgań a _h	0,64 m/s ²	
Niepewność K=	1,5 m/s ²	



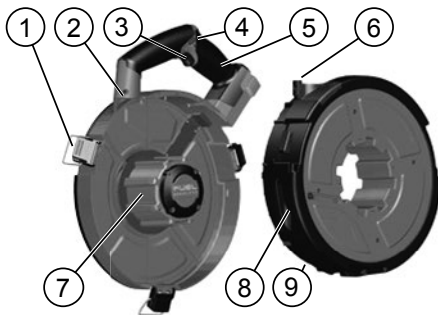
OSTRZEŻENIE

Poziom drgań i emisji hałasu podany w niniejszej instrukcji zmierzono zgodnie ze standardową metodą badania wg EN 62841 i można ją wykorzystać do porównania narzędzia z innym narzędziem. Można go wykorzystać przy wstępnej ocenie narażenia.

Deklarowany poziom emisji drgań i hałasu reprezentuje głównie zastosowania narzędzia. Jeśli jednak narzędzie jest używane do różnych zastosowań, z różnymi akcesoriami lub w przypadku nieprawidłowej konserwacji, emisja drgań i hałasu może się różnić. Może to znacznie zwiększyć poziom narażenia w całym okresie eksploatacji narzędzia.

Oszacowanie poziomu narażenia na wibracje i hałas powinno również uwzględniać czasy, kiedy narzędzie jest wyłączone lub kiedy jest włączone, ale nie pracuje. Może to znacznie obniżyć poziom ekspozycji w całym okresie eksploatacji narzędzia. Należy zidentyfikować dodatkowe środki bezpieczeństwa w celu ochrony operatora przed skutkami wibracji i/lub hałasu, takie jak: utrzymywanie narzędzia i akcesoriów w nienagannym stanie, utrzymywanie ciepła rąk, organizacja pracy. Stosować środki ochrony słuchu! Hałas może powodować utratę słuchu.

⚠ OSTRZEŻENIE! Przeczytać wszystkie wskazówki bezpieczeństwa, instrukcje, ilustracje i dane dołączone do urządzenia. Jeśli nie będą przestrzegane następujące przepisy, może dojść do porażenia prądem, pożaru i/lub ciężkich obrażeń ciała. **Należy starannie przechowywać wszystkie przepisy i wskazówki bezpieczeństwa dla dalszego zastosowania.**



Opis urządzenia

- ① Zatrząski
- ② Rowek wylotu
- ③ Spust
- ④ Przełącznik kierunku
- ⑤ Uchwyt
- ⑥ Wylot
- ⑦ Piasta
- ⑧ Uchwyty bębna
- ⑨ Bębny

⚠️ OSTRZEŻENIA DOTYCZĄCE BEZPIECZEŃSTWA UŻYTKOWANIA PILOTA DO WCIĄGANIA PRZEWODÓW

Nie używać w obrębie obwodów pod napięciem lub ich pobliżu. Podczas pracy w pobliżu urządzeń elektrycznych należy zachować szczególną ostrożność. W przypadku przeciągnięcia przewodu przez kanał kablowy, w którym znajdują się inne przewody, upewnić się, że ich zasilanie zostało wyłączone lub odłączone.

Zachować właściwą postawę i równowagę podczas wciągania przewodu. Nie wciągać przewodu stojąc na drabinie. Jeśli kabel trafi na przeszkodę lub opór, drabina może stracić stabilność, co może doprowadzić do utraty równowagi lub kontroli.

Podczas używania narzędzia należy zawsze zachować zdrowy rozsądek i środki ostrożności. Nie można przewidzieć każdej sytuacji, która może doprowadzić do niebezpieczeństwa. Nie używać narzędzia, jeśli użytkownik nie zrozumiał instrukcji obsługi lub jeśli bezpiecznie wykonanie pracy wykracza poza możliwości użytkownika; skontaktuj się z firmą Milwaukee Tool lub przeszkolonym specjalistą w celu uzyskania dodatkowych informacji lub szkolenia.

OSTRZEŻENIE! Niektóre pyły powstające podczas polerowania, piłowania, szlifowania, wiercenia i innych prac budowlanych zawierają substancje chemiczne, które mogą powodować raka, wady płodu lub narządów rozrodczych. Oto kilka przykładów takich substancji chemicznych:

- ołów pochodzący z farb otowioowych
- krzemionka krystaliczna pochodząca z cegieł, cementu i innych produktów murarskich oraz
- arsen i chrom pochodzące z drewna przetworzonego chemicznie.

Ryzyko związane z tym narażeniem jest różne, w zależności od tego, jak często użytkownik wykonuje ten rodzaj pracy.

Aby zmniejszyć narażenie na działanie tych substancji chemicznych: pracować w dobrze przewietrzonym pomieszczeniu i korzystać z zatwierdzonych urządzeń zabezpieczających, takich jak maski przeciwpyłowe, które zostały specjalnie zaprojektowane do filtrowania mikroskopijnych cząstek.

Nie usuwać etykietek ani tabliczek znamionowych.

Tabliczki te zawierają ważne informacje. W przypadku kiedy są one nieczytelne lub ich brakuje, należy zwrócić się do serwisu klienta – MILWAUKEE w celu uzyskania ich bezpłatnej wymiany.

DODATKOWE WSKAZÓWKI BEZPIECZEŃSTWA I INSTRUKCJE ROBOCZE

Stosować wyposażenie ochronne. Przy pracy maszyną zawsze nosić okulary ochronne. Zalecana jest odzież ochronna, jak maska pyłochronna, rękawice ochronne, mocne i chroniące przed poślizgiem obuwie, kask i ochronniki słuchu.

Kurz powstający przy pracy z tym elektronarzędziem może być szkodliwy dla zdrowia, w związku z tym nie powinien dotrzeć do ciała. Nosić odpowiednią maskę przeciwpyłową.

Nie wolno obrabiać materiałów, które mogą być przyczyną zagrożenia zdrowia (na przykład azbestu).

W przypadku zablokowania narzędzia nasadzanego należy natychmiast wyłączyć urządzenie! Nie należy ponownie włączyć urządzenia tak długo, jak długo narzędzie nasadzone jest zablokowane; przy tym mógłby powstać odrzut zwrotny o dużym momencie reakcyjnym. Należy wykryć i usunąć przyczynę zablokowania narzędzia nasadzanego uwzględniając wskazówki dotyczące bezpieczeństwa.

Przed przystąpieniem do jakichkolwiek prac na elektronarzędziu należy wyjąć wkładkę akumulatorową.

Zużytych akumulatorów nie wolno wrzucać do ognia ani traktować jako odpadów domowych. Milwaukee oferuje ekologiczną utylizację zużytych akumulatorów.

Nie przechowywać akumulatorów wraz z przedmiotami metalowymi (niebezpieczeństwo zwarcia).

W skrajnych warunkach temperaturowych lub przy bardzo dużym obciążeniu może dochodzić do wycieku kwasu akumulatorowego z uszkodzonych baterii akumulatorowych. W przypadku kontaktu z kwasem akumulatorowym należy natychmiast przemyć miejsce kontaktu wodą z mydłem. W przypadku kontaktu z oczami należy dokładnie przepłukiwać oczy przynajmniej przez 10 minut i zwrócić się natychmiast o pomoc medyczną.

Aby uniknąć niebezpieczeństwa pożaru, obrażeń lub uszkodzeń produktu na skutek zwarcia, nie wolno zanurzać narzędzia, akumulatora wymiennego ani ładowarki w cieczach i należy zatroszczyć się o to, aby do urządzeń i akumulatorów nie dostały się żadne ciecz. Zwarcie spowodować mogą korodujące lub przewodzące ciecz, takie jak woda morska, określone chemikalia i wybielacze lub produkty zawierające wybielacze.

Akumulatory Systemu M18 należy ładować wyłącznie przy pomocy ładowarek Systemu M18. Nie ładować przy pomocy tych ładowarek akumulatorów innych systemów.

Nie otwierać wkładek akumulatorowych i ładowarek. Przechowywać w suchych pomieszczeniach. Chronić przed wilgocią.

WARUNKI UŻYTKOWANIA

Pilot do wciągania przewodów jest idealnym narzędziem do prowadzenia okablowania przez ściany i kanały kablowe.

BATERIE AKUMULATOROWE

Akumulatory, które nie były przez dłuższy czas używane, należy przed użyciem naładować.

W temperaturze powyżej 50°C następuje spadek osiągniętych wkładki akumulatorowej. Unikaj długotrwałego wystawienia na oddziaływanie ciepła lub promieni słonecznych (niebezpieczeństwo przegrzania).

Styki ładowarek i wkładek akumulatorowych należy utrzymywać w czystości

Dla zapewnienia optymalnej żywotności akumulatory po użyciu należy naładować do pełnej pojemności.

Dla zapewnienia możliwie długiej żywotności akumulatory należy wyjąć z ładowarki po ich naładowaniu.

W przypadku składowania akumulatorów dłużej aniżeli 30 dni: Przechowywać je w suchym miejscu w temperaturze ok. 27°C.

Przechowywać je w stanie naładowanym do ok. 30% - 50%. Ładować je ponownie co 6 miesięcy.

TRANSPORT AKUMULATORÓW LITOWO-JONOWYCH

Akumulatory litowo-jonowe podlegają ustawowemu przepisom dotyczącym transportu towarów niebezpiecznych.

Transport tych akumulatorów winien odbywać się przy przestrzeganiu lokalnych, krajowych i międzynarodowych rozporządzeń i przepisów.

Odbiorcom nie wolno transportować tych akumulatorów po drogach ot tak po prostu.

Komercyjny transport akumulatorów litowo-jonowych przez przedsiębiorstwa spedycyjne podlega przepisom dotyczącym transportu towarów niebezpiecznych. Przygotowania do wysyłki oraz transport mogą być wykonywane wyłącznie przez odpowiednio przeszkolone osoby. Cały proces winien odbywać się pod fachowym nadzorem.



W czasie transportu akumulatorów należy przestrzegać następujących punktów:

Celem uniknięcia zwarcia należy upewnić się, że zestyki są zabezpieczone i zaizolowane. Zwraca uwagę na to, aby zespół akumulatorów nie mógł się przemieszczać we wnętrzu opakowania. Nie wolno transportować akumulatorów uszkodzonych lub z wyciekającym z elektrolitem. Odnośnie dalszych wskazówek należy zwrócić się do swojego przedsiębiorstwa spedycyjnego.

ZABEZPIECZENIE PRZECIĄŻENIOWE AKUMULATORA

W przypadku przeciążenia akumulatora przez bardzo duży pobór prądu, na przykład wskutek ekstremalnie dużych momentów obrotowych, narzędzie ręczne z napędem elektrycznym wibruje przez 5 sekund, miga wskaźnik ładowania i narzędzie samoczynnie wyłącza się.

W celu ponownego włączenia narzędzia należy zwolnić przycisk przełączający, a następnie ponownie go włączyć.

Przy ekstremalnych obciążeniach akumulator nagrzewa się za mocno. W takim przypadku wszystkie lampki wskaźnika ładowania migają tak długo, aż akumulator ochłodzi się. Po zgaśnięciu wskaźnika ładowania można kontynuować pracę.

Wówczas należy wetknąć akumulator do ładowarki, aby go ponownie naładować i aktywować.

DODATKOWE WSKAZÓWKI W CZASIE UŻYTKOWANIA

Podczas wciągania przewodu urządzenie musi być podparte.

Zasady obsługi urządzenia przedstawiono na rysunkach zawartych w niniejszej instrukcji.

Kontrolować ruch taśmy podczas wysuwania. Długość pełnego wysunięcia jest oznaczona na taśmie żółtym znacznikiem. Gdy znacznik jest widoczny, należy przerwać wysuwanie. Dalsze wysuwanie może spowodować uszkodzenie lub pęknięcie taśmy pilota. Przed montażem okablowania należy sprawdzić otoczenie pod kątem potencjalnych zagrożeń dla siebie i innych osób w przypadku zerwania taśmy podczas wciągania.

WSKAZÓWKA: Jeżeli urządzenie blokuje, należy natychmiast puścić przełącznik. Nie należy wywierać siły, aby przetrząsnąć kabel, który zahaczył się lub napotkał przeszkodę. W takim przypadku należy wyjąć przewód i usunąć przeszkodę.

Aby zwinać taśmę pilota do wciągania przewodów, należy przestawić przełącznik kierunku do pozycji zwijania i nacisnąć przycisk. Przerwać zwijanie, gdy taśma pilota powróci do pozycji wyjściowej. Dalsze zwijanie może doprowadzić do uszkodzenia lub pęknięcia bębna.

Jeśli narzędzie wyłączy się podczas podawania:

- zwołnić spust.
- Ustawić przełącznik kierunku w pozycji wciągania.
- Ciągnąć za spust przez 3-4 sekundy.
- Ustawić przełącznik kierunku w pozycji podawania.
- Pociągnąć za spust i spróbować włączyć podawanie ponownie.
- Powtórzyć powyższe kroki do 5 razy, jeśli to konieczne.
- Jeśli narzędzie nadal będzie wyłączać się podczas podawania, należy wymienić bębny.

Jeśli taśma nieprzewodząca zaczyna wsuwać się do bębna podczas podawania:

- zwołnić spust.
- Ustawić przełącznik kierunku w pozycji wciągania.
- Mocno chwycić końcówkę taśmy wystającą z bębna.
- Pociągnąć za spust jednocześnie naciągając taśmę drugą ręką, gdy taśma jest wciągana z powrotem do bębna.

e. zwołnić spust.

f. Ustawić przełącznik kierunku w pozycji podawania.

g. Pociągnąć za spust i spróbować włączyć podawanie ponownie.

h. Powtórzyć powyższe kroki do 5 razy, jeśli to konieczne.

i. Jeśli narzędzie nadal będzie wciągać taśmę podczas podawania, należy wymienić bębny.

UTRZYMANIE I KONSERWACJA

Przed przystąpieniem do jakichkolwiek prac na elektronarzędziu należy wyjąć wkładkę akumulatorową.

Luźną spiralę wytrzeć ścierką i ponownie wsunąć w bębny.

Przed schowaniem urządzenia do czyszczenia rur należy całkowicie wyjąć spiralę. Oczyszczyć spiralę i luźno zwinąć.

Używać tylko i wyłącznie wyposażenia dodatkowego Milwaukee i części zamiennych Milwaukee. Gdyby trzeba było wymienić części, które nie zostały opisane, należy skontaktować się z przedstawicielem serwisu Milwaukee (patrz wykaz adresów punktów usługowych/gwarancyjnych).

Na życzenie można otrzymać rysunek widoku zespołu rozebranego. Przy zamawianiu należy podać numer oraz typ elektronarzędzia umieszczonego na tabliczce znamionowej. Zamówienia można dokonać albo u lokalnych przedstawicieli serwisu, albo bezpośrednio w Techtronic Industries GmbH, Max-Eyth-Straße 10, 71364 Winnenden, Germany.

DEKLARACJA ZGODNOŚCI CE

Oświadczamy na naszą wyłączną odpowiedzialność, że produkt opisany pod „Dane techniczne” spełnia wszystkie istotne przepisy dyrektyw:

2011/65/UE (RoHS)

2006/42/WE

2014/30/UE

i zastosowano następujące zharmonizowane normy

EN 62841-1:2015+AC:2015

EN 55014-1:2017+A11:2020

EN 55014-2:2015

EN IEC 63000:2018



Winnenden, 2020-09-21

Alexander Krug / Managing Director
Upelnomocniony do zestawienia danych technicznych
Techtronic Industries GmbH
Max-Eyth-Straße 10, 71364 Winnenden, Germany

SYMBOLE



UWAGA! OSTRZEŻENIE NIEBEZPIECZEŃSTWO!



Przed uruchomieniem elektronarzędzia zapoznać się uważnie z treścią instrukcji.



Podczas pracy należy zawsze nosić okulary ochronne.



Nosić rękawice ochronne!



Nie używać w obrębie obwodów pod napięciem lub ich pobliżu.



Nie używać urządzenia stojąc na drabinie.



Przed przystąpieniem do jakichkolwiek prac na elektronarzędziu należy wyjąć wkładkę akumulatorową.



Wyposażenie dodatkowe dostępne osobno.



Urządzenia elektryczne, baterie/akumulatory nie mogą być usuwane razem z odpadami pochodzącymi z gospodarstw domowych. Urządzenia elektryczne i akumulatory należy gromadzić oddzielnie i w celu usuwania ich do odpadów zgodnie z wymaganiami środowiska naturalnego oddawać do przedsiębiorstwa utylizacyjnego. Proszę zasięgnąć informacji o centrach recyklingowych i punktach zbiorczych u władz lokalnych lub u wyspecjalizowanego dostawcy.

n₀ Prędkość bez obciążenia

V Napięcie

— — — Prąd stały

CE Europejski Certyfikat Zgodności

**UK
CA** Brytyjski Certyfikat Zgodności

001 Ukraiński Certyfikat Zgodności

EAC Euroazjatycki Certyfikat Zgodności



MŰSZAKI ADATOK	M18 FPFT	
Kábelbehúzó készülék		
Gyártási szám	4749 40 01... ... 000001-999999	
Akkumulátor feszültség	18 V	
Üresjárat fordulatszám	0 - 37 min ⁻¹	
Dobra csévél, acél behúzószalag hossza	37 m	73 m
Dobra csévél, acél behúzószalag szélesség	3 mm	
Súly a 01/2014 EPTA-eljárás szerint (Li-Ion 2,0 Ah...12,0 Ah)	7,13...8,19 kg	8,43...9,49 kg
Dobra csévél, nem áramvezető szalag hossza	30 m	61 m
Súly a 01/2014 EPTA-eljárás szerint (Li-Ion 2,0 Ah...12,0 Ah) (Nem áramvezető)	6,43...7,49 kg	7,03...8,09 kg
Üzemeléshez ajánlott környezeti hőmérséklet	-18°C... +50°C	
Ajánlott akkucsomagok	M18...	
Ajánlott töltőkészülékek	M12-18...	
Zajinformáció		
A közölt értékek megfelelnek az EN 62841 szabványnak. A készülék munkahelyi zajszintje tipikusan:		
Hangnyomás szint (K bizonytalanság=3dB(A))	71,45 dB (A)	
Hangteljesítmény szint (K bizonytalanság=3dB(A))	82,45 dB (A)	
Hallásvédő eszköz használata ajánlott!		
Vibráció-információk		
Összesített rezgésértékek (három irány vektoriális összeg az EN 62841-nek megfelelően meghatározva.)		
rezgésemisszió érték a _h	0,64 m/s ²	
K bizonytalanság	1,5 m/s ²	



FIGYELMEZTÉS

Az adatlapon feltüntetett rezgés- és zajkibocsátási szint mérése az EN 62841 szabványos vizsgálati módszere alapján került sor, és a kapott értékek az egyes szerszámok összehasonlítására használhatók. Az értékek az expozíció előzetes értékelésében használhatók.

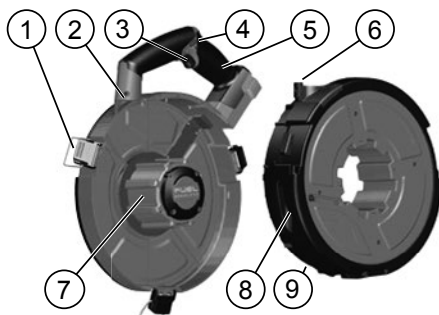
A feltüntetett rezgés- és zajkibocsátási szint a szerszám főbb alkalmazásait tükrözi. Mindazonáltal, ha a szerszámot különböző alkalmazásokra, eltérő tartozékokkal használják, illetve a szerszám nincs megfelelően karbantartva, a rezgés- és zajkibocsátási szint eltérő lehet. Ez jelentősen növelheti az expozíciós szintet a teljes munkafolyamat során.

A rezgésnek és zajnak való expozíció becsült szintjét is figyelembe kell venni a szerszám kikapcsolásakor, illetve olyankor, ha a szerszám üzemel, de valójában nem történik vele munkavégzés. Ez jelentősen csökkentheti az expozíciós szintet a teljes munkafolyamat során.

Határozzon meg további biztonsági intézkedéseket, hogy védje a kezelőt a rezgés- és/vagy zajhatásoktól. Ilyen intézkedések pl.: a szerszámok és tartozékok karbantartása, a kéz melegen tartása, munkarend-szervezés.

Viseljen hallásvédőt. A zaj hatása hallásvesztést okozhat.

▲ FIGYELMEZTÉS! Olvasson el minden, a géppel együtt megkapott biztonsági utalást, utasítást, ábrázolást és adatot. Ha nem tartja be a következő előírásokat, akkor ez áramütéshez, tűzhöz és/vagy súlyos személyi sérülésekhez vezethet. **Kérjük a későbbi használatra gondosan őrizze meg ezeket az előírásokat.**



Eszközleírás

- ① Reteszek
- ② Fúvókahorony
- ③ Indítógomb
- ④ Vezérlőkapcsoló
- ⑤ Fogantyú
- ⑥ Fúvóka
- ⑦ Agy
- ⑧ Dobszorítók
- ⑨ Dob

A BIZTONSÁGI TUDNIVALÓK A KÁBELBEHÚZÓ KÉSZÜLÉKHEZ

Feszültség alatt álló áramkörökön vagy azok közelében ne használja Villamos berendezések közelében különös körülményekkel végezzen munkát. A bármely más vezeték tartalmazó védőcsőben történő behúzás során ügyeljen arra, hogy a többi vezeték ki legyen kapcsolva vagy le legyen választva.

A behúzási műveletek során őrizzék meg stabil lábtartást és egyensúlyát. Létráról ne végezzen behúzást. Csomó vagy ellenállás fellelése esetén a létra instabillá válhat, ami az egyensúly vagy az uralom elvesztéséhez vezethet.

Mindig megfontoltan járjon el, és legyen körültekintő a szerszámok használatát során. Nem lehetséges előre látni minden olyan szituációt, amely veszélyes helyzetet eredményezhet. Ne használja ezt a szerszámot, ha nem értene ezt a használati útmutatót, illetve ha úgy érezné, hogy a munka meghaladja az Ön képességeit; forduljon a Milwaukee Tool munkatársaihoz vagy képzett szakemberhez további információkért vagy képzésért.

FIGYELMEZTETÉS! A homokszórás, fűrészelés, csiszolás, fűrés és más építkezési tevékenységek során rákot, születési rendellenességeket okozó vagy más, reprodukciót károsító hatású vegyi anyagok szabadulhatnak fel. Ilyen anyagok lehetnek például a következők:

- ólombázisú festékből származó ólom
- téglaköből, cementből és más kőművesipari termékekből származó kristályos szilícium-dioxid
- vegykezelt faanyagokból származó arzén és króm.

Az ilyen kitértegek kockázata attól függ, hogy Ön milyen gyakorisággal végez ilyen típusú munkát.

Az ilyen vegyi anyagoknak való kitérés csökkentése érdekében: jól szellőző területen és jóváhagyott biztonsági felszerelésekkel dolgozzon, mint például az olyan pormaszkok, amelyeket kifejezetten mikroszkopikus részecskéik kiszűrésére fejlesztettek ki.

Ne távolítsa el a címkéket és tipusablakokat. Ezek a jelzések fontos információkat tartalmaznak. Ha ezek a címkék már nem olvashatók vagy hiányoznak, forduljon a MILWAUKEE ügyfélszolgálatához az ingyenes pótlás érdekében.

TOVÁBBI BIZTONSÁGI ÉS MUNKAVÉGZÉSI UTASÍTÁSOK

Használjon védőfelszerelést! Ha a gépen dolgozik, mindig hordjon védőszemüveget! Javasoljuk a védőruházat, úgymint porvédő maszk, védőcipő, erős és csúszásbiztos lábbeli, sisak és hallásvédő használatát.

A munka során keletkező por gyakran egészségre káros, ezért ne kerüljön a szervezetbe. Hordjon e célra alkalmas porvédőmaszkot. Nem szabad olyan anyagokat megmunkálni, amelyek egészségre veszélyesek (pl. azbesztest).

A betétszerszám elakadásakor azonnal ki kell kapcsolni a készüléket! Addig ne kapcsolja vissza a készüléket, amíg a betétszerszám elakadása fennáll; ennek során nagy ellennyomatékú visszarúgás történhet. Határozza és szüntesse meg a betétszerszám elakadásának okát a biztonsági útmutatók betartása mellett.

Karbantartás, javítás, tisztítás, stb. előtt az akkumulátort ki kell venni a készülékből.

A használt akkumulátort ne dobja tűzbe vagy a háztartási szemétkosárba. Tájékozódjon a szakszerű megsemmisítés helyi lehetőségeiről.

Az akkumulátort ne tárolja együtt fém tárgyakkal. (Rövidzárlat veszélye).

Akkumulátor sav folyhat a sérült akkumulátorból extrém terhelés alatt, vagy extrém hő miatt. Ha az akkumulátor sav a bőrére kerül azonnal mossa meg szappanos vízzel. Szembe kerülés esetén folyóvíz alatt tartsa a szemét minimum 10 percig és azonnal forduljon orvoshoz.

A rövidzárlat általi tűz, sérülések vagy termékkárosodások veszélye elkerülése érdekében ne merítse a szerszámot, a cserélhető akkut vagy a töltőkészüléket folyadékokba, és gondoskodjon arról, hogy ne hatoljanak folyadékok a készülékekbe és az akkukba. A korrozív hatású vagy vezetőképes folyadékok, mint pl. a sós víz, bizonyos vegyi anyagok, fehérítők vagy fehérítő tartalmú termékek, rövidzárlatot okozhatnak.

Az M18 elnevezésű rendszerhez tartozó akkumulátorokat kizárólag a rendszerhez tartozó töltővel töltsön fel. Ne használjon más rendszerbe tartozó töltőt.

Az akkumulátort, töltőt nem szabad megbontani és kizárólag száraz helyen szabad tárolni. Nedvességától óvni kell.

RENDELTELTÉSSZERŰ HASZNÁLAT

A kábelbehúzó készülék ideális szerszám vezetékek falakon és villamos védőcsöveken keresztül történő befűzéséhez.

AKKUK

A hosszabb ideig üzemben kívül lévő akkumulátort használat előtt ismételen fel kell tölteni.

50°C feletti hőmérsékletnél csökkenhet az akkumulátor teljesítménye. Kerülje ki a túlzottan meleg helyen vagy napon történő hosszabb idejű tárolást.

A töltő és az akkumulátor csatlakozóit mindig tisztán kell tartani. Az optimális élettartam érdekében használat után az akkukat teljesen fel kell tölteni.

A lehetőleg hosszú élettartamhoz az akkukat feltöltés után ki kell venni a töltőkészülékből.

Az akku 30 napot meghaladó tárolása esetén: Az akkut kb. 27 °C-on, száraz helyen kell tárolni. Az akkut kb. 30-50%-os töltöttségi állapotban kell tárolni. Az akkut 6 havonta újra fel kell tölteni.

LÍTIUM-ION AKKUK SZÁLLÍTÁSA

A lítium-ion akku a veszélyes áruk szállítására vonatkozó törvényi rendelkezések hatálya alá tartoznak.

Az ilyen akkuk szállításának a helyi, országos és nemzetközi előírások és rendelkezések betartása mellett kell történnie.

A fogyasztók minden további nélkül szállíthatják az ilyen akkukat közúton.

A lítium-ion akku szállítványozási vállalatok általi kereskedelmi célú szállítására a veszélyes áruk szállítására vonatkozó rendelkezések érvényesek. A kiszállítás előkészítését és a szállítást kizárólag megfelelő képzettségű személyek végezhetik. A teljes folyamatnak szakmai felügyelet alatt kell történnie.

A következő pontokat kell figyelembe venni akku szállításakor: Biztosítsa, hogy a rövidzárlatok elkerülése érdekében az érintkezők védve és szigetelve legyenek. Ügyeljen arra, hogy az akkucsomag ne tudjon elcsúszni a csomagoláson belül. Tilos sérült vagy kifolyt akkukat szállítani. További útmutatásokért forduljon szállítványozási vállalatához.

AZ AKKUMULÁTOR TÚLTERHELÉS ELLENI VÉDELME

Az akku nagyon nagy áramfelhasználása következtében fellépő túlterhelése esetén - pl. rendkívül magas forgatónyomatékok, a fűró megszorulása, hirtelen leállás vagy rövidzárlat miatt - az elektromos szerszám 5 másodpercen keresztül vibrál, a töltéskijelző villog és az elektromos szerszám magától kikapcsol.

Az újbóli bekapcsoláshoz engedje el a nyomókapcsolót, majd kapcsolja be ismét.

Rendkívüli terheléseknél az akku túlságosan felmelegszik. Ebben az esetben a töltéskijelző minden lámpája addig villog, amíg az akku le nem hűl. Ha a töltéskijelző kialszik, utána tovább lehet dolgozni.



Az ismételt feltöltéshez és aktiváláshoz ekkor dugja az akkut a töltőkészülékbe.

TOVÁBBI TIPPEK A HASZNÁLATHOZ

Használat során támassza meg a kábelbehúzó készüléket.

A normál használathoz lásd az ábrákat.

A szalag kihúzása során kísérje figyelemmel a kábelbehúzó készüléket. A teljes kihúzási hossz elérése előtt a behúzószalagon sárga jelölés látható. A sárga jelölés megjelenésekor állítsa le a kihúzást. További kihúzás károsíthatja vagy eltörheti a kábelbehúzó készüléket.

A vezeték befűzése előtt gondoljon környezetére, valamint a saját magát és másokat abban az esetben fenyegető potenciális veszélyekre, ha a szalag behúzás közben elszabadul.

MEGJEGYZÉS: Ha a szerszám megszorul, a kapcsolót azonnal el kell engedni. Ne erőltesse a behúzást, ha a szalagon csomó alakul ki, vagy ellenállást tapasztal. Ekkor távolítsa el a vezetékét, és szüntesse meg az akadályt.

A behúzószalag visszahúzásához állítsa a vezérlőkapcsolót visszahúzás állásba, majd húzza meg a be-/kikapcsológombot. Állítsa le a visszahúzást, amint a behúzószalag visszatért a kiindulási helyzetbe. További visszahúzás károsíthatja vagy eltörheti a dobot.

Ha a szerszám leáll az előtolás során:

- Engedje fel a be-/kikapcsológombot.
- Nyomja a vezérlőkapcsolót visszahúzás állásba.
- Húzza meg a be-/kikapcsológombot 3-4 másodpercig.
- Nyomja a vezérlőkapcsolót előtolás állásba.
- Húzza meg a be-/kikapcsológombot, és próbálja újra az előtolást.
- Szükség esetén legfeljebb 5-ször ismétlje a meg a fenti lépéseket.
- Ha a szerszám továbbra is leáll az előtolás során, akkor a dobot ki kell cserélni.

Ha a nem áramvezető szalag elkezdi visszahúzódnia a dobba az előtolás során:

- Engedje fel a be-/kikapcsológombot.
- Nyomja a vezérlőkapcsolót visszahúzás állásba.
- Egy határozott kézmozdulattal ragadja meg a szalagot még éppen a dobon kívül.
- A szalagot megfeszítve a másik kezével húzza meg a be-/kikapcsológombot, miközben a szalag visszahúzódik a dobba.
- Engedje fel a be-/kikapcsológombot.
- Nyomja a vezérlőkapcsolót előtolás állásba.
- Húzza meg a be-/kikapcsológombot, és próbálja újra az előtolást.
- Szükség esetén legfeljebb 5-ször ismétlje a meg a fenti lépéseket.
- Ha a szerszám továbbra is visszahúzódik az előtolás során, akkor a dobot ki kell cserélni.

KARBANTARTÁS

Karbantartás, javítás, tisztítás, stb. előtt az akkumulátort ki kell venni a készülékből.

Törölje le a kihúzott spirált egy kendővel, majd tolja ismét a dobba. A csőtisztító tárolása előtt a spirált teljesen ki kell húzni. Tisztítsa meg és lazán tekerje fel a spirált.

Csak Milwaukee tartozékokat és Milwaukee pótalkatrészeket szabad használni. Az olyan elemeket, melyek cseréje nincs ismertetve, cseréltesse ki Milwaukee szervizzel (lásd Garancia/Ügyfélszolgálat címei kiadványt).

Szükség esetén a készülékek robbantott ábráját - a készülék típusa és azonosító száma alapján a területileg illetékes TTI márkaszerviztől vagy közvetlenül a gyártótól (Techtronic Industries GmbH, Max-Eyth-Straße 10, 71364 Winnenden, Germany) lehet kérni.

CE-AZONOSSÁGI NYILATKOZAT

Kizárólagos felelősségünk alapján kijelentjük, hogy a „Műszaki adatok” fejezetben leírt termék megfelel a irányelvek összes vonatkozó rendelkezésének:

2011/65/EU (RoHS)

2006/42/EK

2014/30/EU

harmonizált szabvány és a

EN 62841-1:2015+AC:2015

EN 55014-1:2017+A11:2020

EN 55014-2:2015

EN IEC 63000:2018



Winnenden, 2020-09-21

Alexander Krug / Managing Director
Műszaki dokumentáció összeállításra felhatalmazva
Techtronic Industries GmbH
Max-Eyth-Straße 10, 71364 Winnenden, Germany

SZIMBÓLUMOK



FIGYELEM! FIGYELMEZTETÉS! VESZÉLY!



Kérjük alaposan olvassa el a tájékoztatót mielőtt a gépet használja.



Munkavégzés közben ajánlatos védőszemüveget viselni.



Hordjon védőkesztyűt!



Feszültség alatt álló áramkörökön vagy azok közelében ne használja



Létrán állva ne használja



Karbantartás, javítás, tisztítás, stb. előtt az akkumulátort ki kell venni a készülékből.



Azokat a tartozékokat, amelyek gyárilag nincsenek a készülékhez mellékelve, külön lehet megrendelni.



Az elektromos eszközöket, elemeket/akkukat nem szabad a háztartási hulladékkal együtt ártalmatlanítani. Az elektromos eszközöket és akkukat szelektíven kell gyűjteni, és azokat környezetbarát ártalmatlanítás céljából hulladékhasznosító üzemben kell leadni. A helyi hatóságoknál vagy szakkereskedőjénél tájékozódjon a hulladékudvarokról és gyűjtőhelyekről.

n₀ Üresjárat fordulatszám

V Feszültség

— — — Egyenáram



Európai megfelelőségi jelölés



Egyesült királyságbeli megfelelőségi jelölés



Ukrán megfelelőségi jelölés



Eurázsiai megfelelőségi jelölés



TEHNIČNI PODATKI Predvleka	M18 PFPT	
Proizvodna številka	4749 40 01... ... 000001-999999	
Napetost izmenljivega akumulatorja	18 V	
Število vrtljajev v prostem teku	0 - 37 min ⁻¹	
Dolžina jeklene žice predvleke	37 m	73 m
Širina jeklene žice predvleke	3 mm	
Teža po EPTA-proceduri 01/2014 (Li-Ion 2,0 Ah...12,0 Ah)	7,13...8,19 kg	8,43...9,49 kg
Dolžina neprevodnega traku	30 m	61 m
Teža po EPTA-proceduri 01/2014 (Li-Ion 2,0 Ah...12,0 Ah) (Neprevodna)	6,43...7,49 kg	7,03...8,09 kg
Priporočena temperatura okolice za obratovanje	-18°C... +50°C	
Priporočeni kompleti akumulatorjev	M18...	
Priporočeni polnilniki	M12-18...	
Informacije o hrupnosti Vrednosti merjenja ugotovljene ustrezno z EN 62841. Raven hrupnosti naprave ovrednotena z A, znaša tipično: Nivo zvočnega tlaka (Nevarnost K=3dB(A)) Višina zvočnega tlaka (Nevarnost K=3dB(A))	71,45 dB (A) 82,45 dB (A)	
Nosite zaščito za sluh!		
Informacije o vibracijah Skupna vibracijska vrednost (Vektorska vsota treh smerdoločena ustrezno EN 62841. Vibracijska vrednost emisij a _h Nevarnost K=	0,64 m/s ² 1,5 m/s ²	



Slo

OPOZORILO

Raven vibracij in hrupa, navedena v tem informativnem listu, je bila izmerjena v skladu s standardiziranim preskusom iz EN 62841 in jo je mogoče uporabljati za primerjavo orodij med seboj. Mogoče jo je tudi uporabiti za predhodno oceno izpostavljenosti.

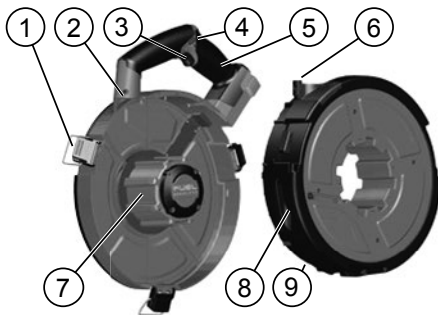
Navedena raven vibracij in hrupa predstavlja glavno uporabo orodja. Če pa se orodje uporablja za različne namene, z različnimi dodatki ali slabo vzdrževano, se lahko vibracije in hrup razlikujejo. To lahko znatno poveča raven izpostavljenosti v celotnem delovnem obdobju.

Pri oceni ravni izpostavljenosti vibracijam in hrupu je treba upoštevati tudi čas, ko je orodje izklopljeno ali ko teče, vendar dejansko ne opravlja dela. To lahko bistveno zmanjša raven izpostavljenosti v celotnem delovnem obdobju.

Ugotovite dodatne varnostne ukrepe za zaščito upravljalca pred učinki vibracij in/ali hrupa, kot so: vzdrževanje orodja in dodatkov, tople roke, organizacija delovnih vzorcev.

Nosite zaščito za sluh. Hrup lahko povzroči izgubo sluha.

⚠ OPOZORILO! Preberite vse varnostne napotke, navodila, prikaze in podatke, ki ste jih prejeli skupaj z napravo. Zaradi nespoštovanja spodaj navedenih navodil lahko pride do električnega udara, požara in/ali težkih telesnih poškodb. **Vsa opozorila in napotila shranite, ker jih boste v prihodnje še potrebovali.**



Opis naprave

- ① Zapahi
- ② Zareza šobe
- ③ Sprožilo
- ④ Kontrolno stikalo
- ⑤ Ročaj orodja
- ⑥ Šoba
- ⑦ Središče
- ⑧ Ročaji
- ⑨ Boben

VARNOSTNI NAPOTKI ZA PREDVLEKO

Ne uporabljajte na ali v bližini priključnega tokokroga. Če delate v bližini električne opreme, bodite izjemno pazljivi.

Pri vlečenju skozi cevod, ki vsebuje kakršne koli druge žice, se prepričajte, da je napajanje teh žic izklopljeno ali izključeno.

Med vlečenjem pazite na pravilno stojišče in ravnotežje. Ne vlecite z lestve. Če pride do zataknitve ali upora, lahko lestve postane nestabilna, kar lahko povzroči izgubo ravnotežja ali nadzora.

Pri uporabi orodja vedno uporabljajte zdrav razum in bodite previdni. Vseh situacij, ki bi lahko privedle do nevarnega rezultata, ni mogoče predvideti. Tega orodja ne uporabljajte, če ne razumete teh navodil za uporabo ali če menite, da je delo zunaj vaših zmognosti. Za dodatne informacije ali usposabljanje se obrnite na Milwaukee Tool ali usposobljenega strokovnjaka.

OPOZORILO! Nekatero vrsto prahu, ki nastane zaradi električnega brušenja, žaganja, brušenja, vrtanja in drugih gradbenih dejavnosti, vsebujejo kemikalije, za katere je znano, da povzročajo raka, prirojene okvare ali drugače škodujejo sposobnosti reprodukcije. Nekateri primeri teh kemikalij so:

- svinec iz barve na osnovi svinca
 - kristalni silicijev dioksid iz opeke in cementa ter drugih zidanih izdelkov ter
 - arzena in kroma iz kemično obdelanega lesa.
- Tveganje pri tej izpostavljenosti je različno in odvisno od tega, kako pogosto opravljate to vrsto dela.

Za zmanjšanje izpostavljenosti tem kemikalijam: delajte v dobro prezračevanem prostoru in delajte z odobreno varnostno opremo, kot so maske za zaščito pred prahom, ki so posebej izdelane za filtriranje mikroskopskih delcev.

Etiket in tipskih tablic ne odstranjujte. Te tablice vsebujejo pomembne informacije. Kadar te oznake niso več berljive ali manjkajo, se obrnite na MILWAUKEE-servisno službo, za prejem brezplačnega nadomestila.

NADALJNA VARNOSTNA IN DELOVNA OPOZORILO

Uporabite zaščitno opremo. Pri delu s strojem vedno nosite zaščitna očala. Priporočajo se zaščitna oblačila, kot npr. maska za zaščito proti prahu, zaščitne rokavice, trdno in neдрseče obuvanje, čelada in zaščita za sluh.

Prah, ki nastaja pri delu, je pogosto zdravju škodljiv in naj ne zaide v telo. Nosite ustrezno masko proti prahu.

Obdelava materialov, iz katerih izhaja ogroženost zdravja (npr. azbest), ni dovoljena.

V primeru blokade orodja napravu takoj izklopite! Naprave ponovno ne vklopljate dokler je orodje blokirano; pri tem bi lahko prišlo do povratnega udara z velikim reakcijskim momentom. Ugotovite in odpravite vzroke blokade orodja ob upoštevanju varnostnih navodil.

Pred vsemi deli na stroji odstranite izmenljivi akumulator.

Izrabljenih izmenljivih akumulatorjev ne mečite v ogenj ali v gospodinjske odpadke. Milwaukee nudi okolju prijazno odlaganje starih izmenljivih akumulatorjev; prosimo povprašajte vašega strokovnega trgovca.

Izmenljivih akumulatorjev ne hranite skupaj s kovinskimi predmeti (nevarnost kratkega stika).

Pod ekstremno obremenitvijo ali ob ekstremni temperaturi iz poškodovanega izmenljivega akumulatorja lahko izteka akumulatorska tekočina. Po stiku z akumulatorsko tekočino prizadeto mesto takoj izperite z vodo in milom. Po stiku z očmi takoj najmanj 10 minut dolgo temeljito izpirajte in nemudoma obiščite zdravnika.

V izogib, s kratkim stikom povzročene nevarnosti požara, poškodbe ali okvar na proizvodu, orodja, izmenljivega akumulatorja ali

polnilne naprave ne potaplajte v tekočino in poskrbite, da ne bo prihajalo do vdora tekočin v naprave in akumulatorje. Korozivne ali prevodne tekočine, kot so slana voda, določene kemikalije in belila ali proizvodi, ki le ta vsebujejo, lahko povzročijo kratek stik.

Izmenljive akumulatorje sistema M18 polnite samo s polnilnimi aparati sistema M18. Ne polnite nobenih akumulatorjev iz drugih sistemov.

Izmenljivih akumulatorjev in polnilnih aparatov ne odpirajte in jih hranite samo v suhih prostorih. Zaščitite jih pred mokroto.

UPORABA V SKLADU Z NAMEDBOSTJO

Predvleka je idealno orodje, ki se uporablja za napeljavo ožičenja skozi stene in električni vod.

AKUMULATORJI

Izmenljive akumulatorje, ki jih daljši čas niste uporabljali, pred uporabo naknadno napolnite.

Temperatura nad 50°C zmanjšuje zmogljivost izmenljivega akumulatorja. Izogibajte se daljšemu segrevanju zaradi sončnih žarkov ali gretja.

Pazite, da ostanejo priključni kontakti na polnilnem aparatu in izmenljivem akumulatorju čisti.

za optimalno življenjsko dobo je potrebno akumulatorje po uporabi do konca napolniti.

Za čim daljšo življenjsko dobo naj se akumulatorji po napolnitvi vzamejo ven iz naprave za polnjenje.

Pri skladiščenju akumulatorjev dalj kot 30 dni: Akumulator skladiščiti pri 27°C in na suhem. Akumulator skladiščiti pri 30%-50% stanja polnjenja. Akumulator spet napolniti vsakih 6 mesecev.

TRANSPORT LITIJ-IONSКИH AKUMULATORJEV

Litij-ionski akumulatorji so podvrženi zakonskim določbam transporta nevarnih snovi.

Transport teh akumulatorjev se mora izvajati upoštevaajoč lokalne, nacionalne in mednarodne predpise in določbe.

Potrošniki lahko te akumulatorje še nadalje transportirajo po cesti.

Komerčni transport litij-ionskih akumulatorjev s strani špediterskih podjetij je potrjen določbam transporta nevarnih snovi. Priprava odpreme in transporta se lahko vrši izključno s strani ustrezno izošolanih oseb. Celoten proces je potrebno strokovno spremljati.

Pri transportu akumulatorjev je potrebno upoštevati sledeče točke: V izogib kratkim stikom zagotovite, da bodo kontakti zaščiteni in izolirani. Bodite pozorni na to, da paket akumulatorja v notranjosti embalaže ne bo mogel zdrsniti. Poškodovanih ali iztekajočih akumulatorjev ni dovoljeno transportirati. Za nadaljnja navodila se obrnite na vaše špeditersko podjetje.

ZAŠČITA PREOBREMENITVE AKUMULATORJA

V primeru preobremenitve akumulatorja zaradi visoke porabe toka, npr. ekstremno visokih vrtilnih momentov, nenadne zaustavitve ali kratkega stika, električno orodje 5 sekund vibira, prikazovalnik polnjenja utripa, električno orodje pa se samodejno izklopi.

Za ponoven vklop izpustite pritisno stikalo in nato znova vklopite. Pod ekstremnimi obremenitvami se akumulator premočno segreva. V tem primeru utripajo vse lučke prikazovalnika polnjenja dokler se akumulator ne ohladi. Za tem, ko prikazovalnik polnjenja ugasne lahko z delom nadaljujemo.

Za ponovno polnitev in aktiviranje akumulatorja ga je potrebno vstaviti v polnilec.

DODATNI NASVETI ZA UPORABO

Med uporabo podpirajte predvleko.



Slo

Za normalno delovanje glejte razdelek s sliko.

Med odvijanjem imejte napravo pod nadzorom. Preden pride do popolnega izvlečenja, se trak obarva rumeno. Ko postane rumena oznaka vidna, prenehajte z vlečenjem. Nadaljnje vlečenje bi lahko poškodovalo ali zlomilo trak.

Med vlečenjem žice pazite na okolico in morebitne nevarnosti v bližini zase in druge osebe, če se trak med vlečenjem sprosti.

OPAZORILLO: Kadar orodje blokira, stikalo takoj izpustite. Ne izsilite vleka, ki se je zataknil ali naletel na točko upora. Namesto tega odstranite žico in odstranite oviro.

Za poteg traku nazaj potisnite kontrolno stikalo v položaj za poteg nazaj in povlecite sprožilo. Prenehajte vleči nazaj, ko se pritrilni trak vrne v začetni položaj. Nadaljnje vlečenje nazaj bi lahko poškodovalo ali zlomilo boben.

Če se orodje med podajanjem izklopi:

- Sprostite sprožilo.
- Potisnite kontrolno stikalo v položaj za poteg nazaj.
- Povlecite sprožilo za 3–4 sekunde.
- Potisnite kontrolno stikalo v položaj za podajanje.
- Pritisnite sprožilo in poskusite znova podajati.
- Po potrebi zgornje korake ponovite do 5-krat.
- Če se orodje med podajanjem še naprej izklaplja, je treba zamenjati boben.

Če se neprevodni trak med podajanjem začne umikati v boben:

- Sprostite sprožilo.
- Potisnite kontrolno stikalo v položaj za poteg nazaj.
- Primitite trak zunaj tik pred bobnom s trdnim rokovanjem.
- Potegnite sprožilo, medtem ko napenjate trak z drugo roko, ko se trak povleče nazaj v boben.
- Sprostite sprožilo.
- Potisnite kontrolno stikalo v položaj za podajanje.
- Pritisnite sprožilo in poskusite znova podajati.
- Po potrebi zgornje korake ponovite do 5-krat.
- Če se orodje med podajanjem še naprej izklaplja, je treba zamenjati boben.

VZDRŽEVANJE

Pred vsemi deli na stroji odstranite izmenljivi akumulator.

Prostoležečo spiralo obrišite s krpo in ponovno potisnite v boben.

Pred skladiščenjem čistilca cevi, spiralo popolnoma izvlecite.

Spiralo očistite in rahlo navijte.

Uporabljajte samo Milwaukee pripor in Milwaukee nadomestne dele. Poskrbite, da sestavne dele, katerih zamenjava ni opisana, zamenjajo v Milwaukee servisni službi (upoštevajte brošuro Garancija aslovi servisnih služb).

Po potrebi se lahko pri vaši servisni službi ali direktno pri Techtronic Industries GmbH naroči eksplozijska risba naprave ob navedbi tipa stroja in številke s tipske ploščice Techtronic Industries GmbH, Max-Eyth-Straße 10, 71364 Winnenden, Germany.

CE-IZJAVA O KONFORMNOSTI

S polno odgovornostjo izjavljamo, da izdelek, opisan pod „Tehnični podatki“ izpolnjuje vse ustrezne določbe direktiv:

2011/65/EU (RoHS)

2006/42/ES

2014/30/EU

ter da so bili uporabljeni naslednji harmonizirani standardi

EN 62841-1:2015+AC:2015

EN 55014-1:2017+A11:2020

EN 55014-2:2015

EN IEC 63000:2018



Winnenden, 2020-09-21

Alexander Krug / Managing Director
Pooblaščen za izdelavo spisov tehnične dokumentacije.

Techtronic Industries GmbH

Max-Eyth-Straße 10, 71364 Winnenden, Germany



SIMBOLI



POZOR! OPOZORILO! NEVARNO!



Prosimo, da pred uporabo pozorno preberete to navodilo za uporabo.



Pri delu s strojem vedno nosite zaščitna očala.



Nositi zaščitne rokavice



Ne uporabljajte na ali v bližini priključenega tokokroga.



Ne uporabljajte, ko stojite na lestvi.



Pred vsemi deli na stroji odstranite izmenljivi akumulator.



Oprema – ni vsebovana v obsegu dobave, priporočeno dopolnilo iz programa opreme.





Električnih naprav, baterij/akumulatorjev ni dovoljeno odstranjevati skupaj z gospodinskimi odpadki. Električne naprave in akumulatorje je potrebno zbirati ločeno in za okolju prijazno odstranitev, oddati podjetju za reciklažo. Pri krajevnem uradu ali vašem strokovnem prodajalcu se pozanimajte glede reciklažnih dvorišč in zbirnih mest.


n₀ Število vrtljajev v prostem teku


V Napetost

 Enosmerni tok

 Evropska oznaka za združljivost

 Britanska oznaka za združljivost

 Ukrajinska oznaka za združljivost

 Evrazijska oznaka za združljivost



TEHNIČKI PODACI	M18 FPFT	
Uređaj za uvlačenje kabela		
Broj proizvodnje	4749 40 01... ... 000001-999999	
Napon baterije za zamjenu	18 V	
Broj okretaja praznog hoda	0 - 37 min ⁻¹	
Dužina čelične trake za uređaj za uvlačenje kabela	37 m	73 m
Širina čelične trake za uređaj za uvlačenje kabela	3 mm	
Težina po EPTA-proceduri 01/2014 (Li-Ion 2,0 Ah...12,0 Ah)	7,13...8,19 kg	8,43...9,49 kg
Dužina neprovodljive trake za uređaj za uvlačenje kabela	30 m	61 m
Težina po EPTA-proceduri 01/2014 (Li-Ion 2,0 Ah...12,0 Ah) (Nije provodljiv)	6,43...7,49 kg	7,03...8,09 kg
Preporučena temperatura okoline za pogon	-18°C... +50°C	
Preporučeni akumulatorski paket	M18...	
Preporučeni punjači	M12-18...	
Informacije o buci		
Mjerne vrijednosti utvrđene odgovarajuće EN 62841. A-ocijenjeni nivo buke aparata iznosi tipično:		
Nivo pritiska zvuka (Nesigurnost K=3dB(A))	71,45 dB (A)	
Nivo učinka zvuka (Nesigurnost K=3dB(A))	8,43 dB (A)	
Nositi zaštitu sluha!		
Informacije o vibracijama		
Ukupne vrijednosti vibracije (Vektor suma tri smjersu odmjerene odgovarajuće EN 62841		
Vrijednost emisije vibracije a_h	0,64 m/s ²	
Nesigurnost K=	1,5 m/s ²	



Hrv

UPOZORENIE

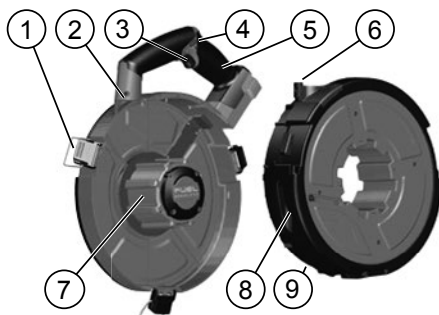
Razine emisije vibracija i buke navedena u ovom informacijskom listu izmjerene su u skladu sa standardiziranim ispitom koji propisuje EN 62841 i mogu se upotrebljavati za međusobnu usporedbu alata. Također se mogu upotrebljavati za prethodnu procjenu izloženosti.

Navedene razine emisija vibracija i buke predstavljaju glavnu svrhu primjene alata. Međutim, ako se alat upotrebljava u druge svrhe, s drugim priborom ili se ne održava dovoljno, emisije vibracija i buke mogu biti drukčije. To može značajno povećati razinu izloženosti tijekom cjelokupna razdoblja rada.

Procjena razine izloženosti vibracijama i buci također bi u obzir trebala uzeti razdoblja tijekom kojih je alat isključen ili kada je uključen, no njime se ne obavlja nikakav rad. Time se značajno može smanjiti razina izloženosti tijekom cjelokupna razdoblja rada. Utvrdite dodatne sigurnosne mjere kako biste zaštitili rukovatelja od ovih učinaka vibracija i/ili buke, primjerice: održavanje alata i pribora, osiguravanje da ruke budu tople, organizacija obrazaca rada.

Nosite zaštitu za sluh. Djelovanje buke može uzrokovati gubitak sluha.

⚠ UPOZORENIE! Pročitajte sve sigurnosne upute, napomene, prikaze i podatke koje dobijete uz uređaj. Ako se ne bi pridržavali slijedećih uputa, moglo bi doći do električnog udara, požara i/ili teških ozljeda. **Sačuvajte sve napomene o sigurnosti i upute za buduću primjenu.**



Opis proizvoda

- ① Zapori
- ② Utor mlaznice
- ③ Okidač
- ④ Kontrolni prekidač
- ⑤ Držak uređaja
- ⑥ Mlaznica
- ⑦ Glavčina
- ⑧ Ručke bubnja
- ⑨ Bubanj

SIGURNOSNA UPOZORENJA ZA UREĐAJ ZA UVLAČENJE KABELA

Nemojte upotrebljavati uređaj na ili u blizini strujnih krugova pod naponom Postupajte iznimno oprezno tijekom rada u blizini električne opreme. Tijekom provlačenja dodatne cijevi koja sadrži druge žice osigurajte da je napajanje tih žica isključeno ili odspojeno.

Pobrinite se za dovoljnu stabilnost i održavanje ravnoteže tijekom postupaka povlačenja. Nemojte povlačiti tijekom stajanja na ljestvama. Ako uočite zapinjanje ili otpor, ljestve bi mogle izgubiti stabilnost, a time može doći do gubitka ravnoteže ili kontrole.

Uvijek postupajte savjesno i oprezno tijekom upotrebe alata. Nije moguće predvidjeti svaku situaciju koja bi mogla imati opasan ishod. Nemojte se koristiti ovim alatom ako ne razumijete ove upute za rad ili ako ste mišljenja da niste sposobni za to; stupite u kontakt s društvom Milwaukee Tool ili educiranim stručnjakom za dodatne informacije ili edukaciju.

UPOZORENJE! Određena prašina nastala snažnim pjeskarenjem, piljenjem, brušenjem i drugim radnjama sadrži kemikalije koje su poznati uzročnici za rak, nastanak urođenih mana ili druge reproduktivne poteškoće. Određeni primjeri tih kemikalija su sljedeći:

- olovo iz boje na bazi olova
- kristalni silicijev dioksid iz opeka i cementa te drugih zidarskih proizvoda, te
- arsen i krom iz kemijski obrađena drva.

Opasnosti za vas tijekom izloženosti tim kemikalijama variraju ovisno o tome koliko često obavljate ovu vrstu rada.

Kako biste smanjili stupanj izloženosti ovim kemikalijama: radite u dobro prozračeno području i radite s odobrenom zaštitnom opremom kao što su maske za prašinu koje su posebno dizajnirane za filtriranje mikroskopskih čestica.

Etikete i pločice tipova ne ukloniti. Ove pločice sadrže važne informacije. Ako ove pločice uputa više nisu čitke ili nedostaju, obratite se servisu MILWAUKEE da bi dobili besplatnu zamjenu.

OSTALE SIGURNOSNE I RADNE UPUTE

Upotrebljavati zaštitnu opremu. Kod radova sa strojem uvijek nositi zaštitne naočale. Preporučuje se zaštitna odjeća, kao zaštitna maska protiv prašine, zaštitne rukavice, čvrste i protiv klizanja sigurne cipele, šljem i zaštitu sluha.

Prašina koja nastaje prilikom rada je često nezdrava i ne bi smijela dospjeti u tijelo. Nositi prikladnu zaštitnu masku protiv prašine. Ne smiju se obrađivati nikakvi materijali, od kojih prijete opasnost po zdravlje (npr. azbest).

Kod blokiranja alata koji se upotrebljava uređaj molimo odmah isključiti! Uređaj nemojte ponovno uključiti za vrijeme dok je alat koji se upotrebljava blokiran; time može doći do povratnog udara sa visokim reakcijskim momentom. Pronađite i otklonite uzrok blokiranja alata koji se upotrebljava uz poštivanje sigurnosnih uputa.

Prije svih radova na stroju izvaditi bateriju za zamjenu.

Istrošene baterije za zamjenu ne bacati u vatru ili u kućno smeće. Milwaukee nudi mogućnost uklanjanja starih baterija odgovarajuće okolini. Milwaukee nudi mogućnost uklanjanja starih baterija odgovarajuće okolini; upitajte molimo Vašeg stručnog trgovca. Baterije za zamjenu ne čuvati skupa sa metalnim predmetima (opasnost od kratkog spoja).

Pod ekstremnim opterećenjem ili ekstremne temperature može iz oštećenih baterija iscuriti baterijska tekućina. Kod dodira sa baterijskom tekućinom odmah isprati sa vodom i sapunom. Kod kontakta sa očima odmah najmanje 10 minuta temeljno ispirati i odmah potražiti liječnika.

Zbog izbjegavanja opasnosti od požara jednim kratkim spojem, opasnosti od ozljeda ili oštećenja proizvoda, alat, izmjenjivi akumulator ili napravu za punjenje ne uronjavati u tekućine i pobrinite se za to, da u uređaje ili akumulator ne prodiru nikakve tekućine. Korozirajuće ili vodljive tekućine kao slana voda, određene kemikalije i sredstva za bijeljenje ili proozvodi koji sadrže sredstva bijeljenja, mogu prouzročiti kratak spoj.

Baterije sistema M18 puniti samo sa uređajem za punjenje sistema M18. Ne puniti baterije iz drugih sistema.

Baterije za zamjenu i uređaje za punjenje ne otvarati i čuvati ih samo u suhim prostorijama. Čuvati protiv vlage.

PROPISNNA UPOTREBA

Uređaj za uvlačenje kabela idealan je alat za upotrebu u svrhu povlačenja žica kroz zidove i dodatne strujne cijevi.

BATERIJE

Baterije koje duže vremena nisu korištene, prije upotrebe napuniti. Temperatura od preko 50°C smanjuje učinak baterija. Duže zagrijavanje od strane sunca ili grijanja izbjeci.

Priključite kontakte na uređaju za punjenje i baterijama držati čistima.

Za optimalni vijek trajanja se akumulatori poslije upotrebe moraju sasvim napuniti.

Za što moguće duži vijek trajanja, akumulatori se nakon punjenja moraju odstraniti iz punjača.

Kod skladištenja akumulatora duže od 30 dana: Akumulator skladištiti na suhom kod ca. 27°C. Akumulator skladištiti kod ca. 30%-50% stanja punjenja. Akumulator ponovno napuniti svakih 6 mjeseci.

TRANSPORT LITIJSKIH IONSKIH BATERIJA

Litijske-ionske baterije spadaju pod zakonske odredbe u svezi transporta opasne robe.

Prijevoz ovih baterija mora uslijediti uz poštivanje lokalnih, nacionalnih i internacionalnih propisa i odredaba.

Korisnici mogu bez ustručavanja ove baterije transportirati po cestama.

Komercijalni transport litijsko-ionskih baterija od strane transportnih poduzeća spada pod odredbe o transportu opasne robe. Otpremničke pripreme i transport smiju izvoditi isključivo odgovarajuće školovane osobe. Kompletni proces se mora pratiti na stručan način.

Kod transporta baterija se moraju poštivati sljedeće točke:

Uvjerite se da su kontakti zaštićeni i izolirani kako bi se izbjegli kratki spojevi. Pazite na to, da blok baterija unutar pakiranja ne može proklizavati. Oštećene ili iscurjele baterije se ne smiju transportirati. U svezi ostalih uputa obratite se vašem prijevoznom poduzeću.

ZAŠTITA OD PREOPTEREĆENJA AKUMULATORA

Kod preopterećenja akumulatora kroz vrlo visoku potrošnju struje, npr. ekstremno visoki zakretni momenti, električni alat vibrira za vrijeme od 5 sekundi, pokazivač punjenja treperi i električni alat se samostalno isključuje.

Za ponovno uključivanje ispustiti okidač sklopke i zatim ponovno uključiti.

Pod ekstremnim opterećenjima se akumulator prejako zagrije. U tome slučaju trepere sve lampice pokazivača punjenja, sve dok se akumulator ne ohladi. Poslije gašenja pokazivača punjenja se može nastaviti sa radom.

Akumulator zatim utaknuti u punjač kako bi se ovaj ponovno napunio i zatim aktivirao.



DODATNI SAVJETI ZA UPORABU

Osigurajte potporu za uređaj za uvlačenje kabela tijekom upotrebe. Pogledajte odjeljak sa slikama za normalan rad.

Tijekom izvlačenja nadzirite uređaj za uvlačenje kabela. Kada je gotovo potpuno izvučen, kabel će biti označen žutom oznakom. Kada uočite žutu oznaku, prekinite postupak izvlačenja. Dodatno izvlačenje moglo bi dovesti do oštećenja ili loma kabela uređaja za uvlačenje.

Prije provlačenja žice obratite pozornost na svoje okruženje te potencijalne opasnosti za sebe i druge osobe u blizini u slučaju da se kabel odspoji tijekom povlačenja.

UPUTA: Ako alat blokira, sklopku odmah ispustiti. Nemojte prisilno povlačiti kabel koji je zapeo ili koji je naišao na prepreku. Umjesto toga uklonite žicu i otklonite prepreku.

Za uvlačenje kabela pomaknite kontrolni prekidač u položaj za uvlačenje i povucite sklopku za uključivanje. Prestanite uvlačiti kada se kabel vrati u prvobitni položaj. Dodatni nastavak izvlačenja mogao bi dovesti do oštećenja ili loma bubnja za uvlačenje.

Ako se alat isključi tijekom izvlačenja:

- Otpustite sklopku za uključivanje.
- Gurnite kontrolni prekidač u položaj za uvlačenje.
- Povlačite sklopku za uključivanje 3 do 4 sekunde.
- Gurnite kontrolni prekidač u položaj za izvlačenje.
- Povucite sklopku za uključivanje i ponovno pokušajte izvlačiti.
- Po potrebi ponovljajte prethodno opisane korake do 5 puta.
- Po potrebi nastavite isključivati tijekom postupka izvlačenja, potrebno je zamijeniti bubanj.

Ako se nevodljiva traka počne uvlačiti u bubanj tijekom izvlačenja:

- Otpustite sklopku za uključivanje.
- Gurnite kontrolni prekidač u položaj za uvlačenje.
- Primite traku neposredno na izlazu iz bubnja čvrstim stiskom šake.
- Povlačite sklopku za uključivanje i istovremeno osiguravajte napetost trake drugom rukom dok se traka bude uvlačila natrag u bubanj.
- Otpustite sklopku za uključivanje.
- Gurnite kontrolni prekidač u položaj za izvlačenje.
- Povucite sklopku za uključivanje i ponovno pokušajte izvlačiti.
- Po potrebi ponovljajte prethodno opisane korake do 5 puta.
- Ako se alat nastavi uvlačiti tijekom izvlačenja, potrebno je zamijeniti bubanj.

ODRŽAVANJE

Prije svih radova na stroju izvaditi bateriju za zamjenu.

Slobodno ležeću spiralu obristati jednom krpom i ponovno ugurati u bubanj.

Prije skladištenja čistača cijevi, spiralu sasvim izvući. Spiralu očistiti i labavo namotati.

Primijeniti samo Milwaukee opremu i Milwaukee rezervne dijelove. Sastavne dijelove, čija zamjena nije opisana, dati zamijeniti kod jedne od Milwaukee servisnih službi (poštivati brošuru Garancija/ Adrese servisa).

Po potrebi se može zatražiti crtež eksplozije aparata uz davanje podataka o tipu stroja i desetoznamenastog broja na pločici snage kod Vaše servisne službe ili direktno kod Techtronic Industries GmbH, Max-Eyth-Straße 10, 71364 Winnenden, Germany.

CE-IZJAVA KONFORMNOSTI

Izjavljujemo pod vlastitom odgovornošću da proizvod opisan u odjeljku „Tehnički podaci“ ispunjava sve potrebne odredbe smjernica:

2011/65/EU (RoHS)

2006/42/EC

2014/30/EU

i da su korišteni sljedeći usklađeni standardi

EN 62841-1:2015+AC:2015

EN 55014-1:2017+A11:2020

EN 55014-2:2015

EN IEC 63000:2018



Winnenden, 2020-09-21

Alexander Krug / Managing Director

Ovlašten za formiranje tehničke dokumentacije.

Techtronic Industries GmbH

Max-Eyth-Straße 10, 71364 Winnenden, Germany



Hrv

SIMBOLI



PAŽNJA! UPOZORENIE! OPASNOST!



Molimo da pažljivo pročitate uputu o upotrebi prije puštanja u rad.



Kod radova na stroju uvijek nositi zaštitne naočale.



Nositi zaštitne rukavice!



Nemojte upotrebljavati uređaj na ili u blizini strujnih krugova pod naponom



Nemojte upotrebljavati uređaj tijekom stajanja na ljestvama



Prije svih radova na stroju izvaditi bateriju za zamjenu.



Oprema - u opsegu isporuke nije sadržana, preporučena dopuna iz promgrama opreme.



Elektrouređaji, baterije/akumulatori se ne smiju zbrinjavati skupa sa kućnim smećem. Električni uređaji akumulatori se moraju skupljati odvojeno i predati na zbrinjavanje primjereno okolišu jednom od pogona za iskorišćavanje. Raspitajte se kod mjesnih vlasti ili kod stručnog trgovca u svezi gospodarstva za recikliranje i mjesta skupljanja.

n₀ Broj okretaja praznog hoda

V Napon



Istosmjerna struja



Europski znak suglasnosti



Britanski znak suglasnosti



Ukrajinski znak suglasnosti



Euroazijski znak suglasnosti



TEHNISKIE DATI Satveršanas stieple	M18 FPFT	
Izlaides numurs	4749 40 01... ... 000001-999999	
Akumulātorā spriegums	18 V	
Tukšgaitas apgriezību skaits	0 - 37 min ⁻¹	
Tērauda satveršanas stieples spoles garums	37 m	73 m
Tērauda satveršanas stieples spoles platums	3 mm	
Svars atbilstoši EPTA -Procedure 01/2014 (Li-Ion 2,0 Ah...12,0 Ah)	7,13...8,19 kg	8,43...9,49 kg
Strāvu nevadošās stieples spoles garums	30 m	
Svars atbilstoši EPTA -Procedure 01/2014 (Li-Ion 2,0 Ah...12,0 Ah) (Strāvu nevadoša)	6,43...7,49 kg	7,03...8,09 kg
Darbībai ieteicamā apkārtnes temperatūra	-18°C... +50°C	
Ieteicamie akumulatoru komplekti	M18...	
Ieteicamās uzlādes ierīces	M12-18...	
Trokšņu informācija Vērtības, kas noteiktas saskaņā ar EN 62841. A novērtētās aparātūras skaņas līmenis ir: Trokšņa spiediena līmenis (Nedrošība K=3dB(A)) Trokšņa jaudas līmenis (Nedrošība K=3dB(A))	71,45 dB (A) 82,45 dB (A)	
Nēsāt trokšņa slāpētāju!		
Vibrāciju informācija Svārstību kopējā vērtība (Trīs virzienu vektoru summtiek noteikta atbilstoši EN 62841. svārstību emisijas vērtība a _n Nedrošība K=	0,64 m/s ² 1,5 m/s ²	



UZMANĪBU

Vibrācijas un trokšņa emisijas līmenis šajā informācijas lapā ir izmērīts saskaņā ar EN 62841 standarta testa metodi un var tikt izmantots, lai salīdzinātu vienu ierīci ar otru. Tās var tikt izmantotas ietekmes sākotnējai izvērtēšanai.

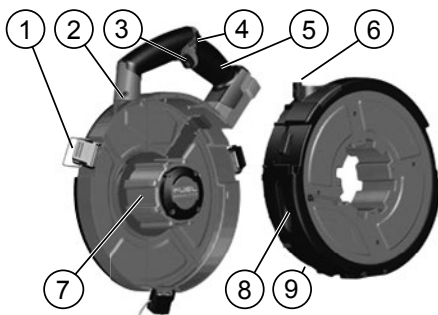
Norādītais vibrācijas un trokšņa emisijas līmenis attēlo ierīces galvenos izmantošanas veidus. Tomēr, ja ierīce tiek izmantota citiem mērķiem, ar citu papildaprīkojumu vai nepareizi apkalpota, vibrācijas un trokšņa emisija var atšķirties. Tas var ievērojami paaugstināt ietekmes līmeni visā darba laikā.

Novērtējot vibrācijas un trokšņa ietekmes līmeni, vajadzētu ņemt vērā arī laiku, kad ierīce ir izslēgta vai ieslēgta, taču netiek lietota. Tas var ievērojami samazināt ietekmes līmeni visā darba laikā.

Lai aizsargātu operatoru no vibrācijas un/vai trokšņa, veiciet papildu drošības pasākumus, piemēram, veiciet apkopi ierīcei un papildaprīkojumam, uzturiet rokas siltas, organizējiet darba grafiku.

Nēsājiet ausu aizsargus. Trokšņa iedarbība var izraisīt dzirdes zudumu.

⚠ UZMANĪBU! Izlasiet visus drošības norādījumus, instrukcijas, attēlus un datus, ko saņemat kopā ar ierīci. Turpmāk sniegto norādījumu neievērošana var kļūt par cēloni elektriskajam triecienam, ugunsgrēkam un/vai smagam savainojumam. **Pēc izlasīšanas uzglabājiet šos noteikumus turpmākai izmantošanai.**



Ierīces apraksts

- ① Aizbīdņi
- ② Sprauslas ierobis
- ③ Mēlīte
- ④ Vadības slēdzis
- ⑤ Rokturis
- ⑥ Sprausla
- ⑦ Rumba
- ⑧ Spoles skavas
- ⑨ Spole

▲ SATVERŠANAS STIEPLES DROŠĪBAS BRĪDINĀJUMI

Neizmantojiet zem sprieguma esošās ķēdēs vai to tuvumā Strādājot elektroaprīkojuma tuvumā, ievērojiet ārkārtīgi piesardzību. Velkot cauri kabeļu kanāliem, kuros ir daudz citu vadu, pārliecinieties, ka šiem vadiem ir atslēgta vai atvienota strāvas padeve.

Saglabājiet pienācīgu stabilitāti un līdzsvaru, veicot vilkšanas darbības. Nevelciet, atrodoties uz zslīdētām kāpnēm. Bloķēšanās vai pretestības gadījumā kāpnes varētu kļūt nestabilas, tādējādi zaudējot līdzsvaru vai kontroli.

Vienmēr rikojieties apdomīgi un uzmanieties, kad izmantojat instrumentus. Nav iespējams paredzēt jebkuru situāciju, kas var izraisīt bīstamu rezultātu. Neizmantojiet šo instrumentu, ja neizprotat tā lietošanas instrukcijas vai jūtat, ka darbs pārsniedz jūsu spējas; sazinieties ar Milwaukee Tool vai apmācītu speciālistu, lai saņemtu papildinformāciju vai apmācību.

UZMANĪBU! Daži putekļi, ko rada slīpēšana, zāģēšana, urbsana un citi būvdarbi, satur ķīmiskās vielas, kas izraisa vēzi, iedzimtus defektus vai kaitē reproduktīvajai veselībai. Daži šo ķīmisko vielu piemēri:

- svins no svina bāzes krāsas
- kristāla silīcijs no ķieģeļiem un cementa, kā arī citiem mūrniecības produktiem, un
- arsēns un hroms no ķīmiski apstrādātas koksnes.

Jūsu riski no šīs ekspozīcijas ir dažādi atkarībā no tā, cik bieži veicat šāda veida darbu.

Lai samazinātu jūsu ekspozīciju pret šīm ķīmiskajām vielām: strādājiet labi vēdinātās vietās un ar atbilstošiem aizsarglīdzekļiem, kā putekļu maskas, kas ir īpaši paredzētas, lai izfiltrētu mikroskopiskās daļiņas.

Aizliegts nopemt etiķetes un tipa plāksnītes. Tās satur svarīgu informāciju. Ja šīs norādes vairs nav salasāmas vai tās ir pazudušas, vērsieties savā MILWAUKEE klientu atbalsta dienestā, lai bez maksas saņemtu jaunās.

CITAS DROŠĪBAS UN DARBA INSTRUKCIJAS

Jāizmanto aizsargaprīkojums. Strādājot ar mašīnu, vienmēr jānēsā aizsargbrilles. Ieteicams nēsāt aizsargapģērbu, kā piemēram, aizsargmasku, aizsargcimdus, kurpes no stingra un nesliedīga materiāla, ķiveri un ausu aizsargus.

Putekļi, kas rodas darba gaitā, bieži ir kaitīgi veselībai un tiem nevajadzētu nokļūt organismā. Jānēsā piemērota maska, kas pasargā no putekļiem.

Nedrīkst apstrādāt materiālus, kas rada draudus veselībai (piemēram, azbestu).

Ja izmantojamais darba rīks tiek bloķēts, nekavējoties izslēgt ierīci! Neieslēdziet ierīci, kamēr izmantojamais darba rīks ir bloķēts; var rasties atsitieni ar augstu griezes momentu. Noskaidrojiet un novērsiet izmantojamā darba rīka bloķēšanas iemeslu, ievērojot visas drošības norādes.

Pirms mašīnai veikt jebkāda veida apkopes darbus, ir jāizņem ārā akumulators.

Izmantotais akumulators nedrīkst mest uguni vai parastajos atkritumos. Firma Milwaukee piedāvā iespēju vecos akumulatorus savākt apkārtnē vidi saudzējošā veidā; jautājiet specializētā veikalā.

Akumulatorus nav ieteicams glabāt kopā ar metāla priekšmetiem (iespējams isslēgums).

Pie ārkārtas slodzes un ārkārtas temperatūrām no bojātā akumulatora var iztect akumulatora šķidrums. Ja nonākat saskarsmē ar akumulatora šķidrumu, saskarsmes vieta nekavējoties jānomazgā ar ūdeni un ziepēm. Ja šķidrums nonācis acīs, acis vismaz 10 min. skalot un nekavējoties konsultēties ar ārstu.

Lai novērstu issavienojuma izraisītu aizdegšanās, savainojumu vai produkta bojājuma risku, neiegremdējiet instrumentu, maināmo akumulatoru vai uzlādes ierīci šķidrums un rūpējieties par to, lai ierīces un akumulatoros neiekļūtu šķidrums. Koroziju izraisoši vai vadītspējīgi šķidrumi, piemēram, sālsūdens, noteiktas ķīmikālijas, balinātāji vai produkti, kas satur balinātājus, var izraisīt issavienojumu.

M18 sistēmas akumulatorus lādēt tikai ar M18 sistēmas lādētājiem. Nedrīkst lādēt citus akumulatorus no citām sistēmām.

Akumulatorus un lādētājus nedrīkst taisīt valā un tie jāuzglabā sausās telpās.

NOTEIKUMIEM ATBILSTOŠS IZMANTOJUMS

Satveršanas stieple ir ideāls instruments, lai vadītu vadojumu cauri sienām un kabeļu kanāliem.

AKUMULĀTORI

Akumulatori, kas ilgāku laiku nav izmantoti, pirms lietošanas jāuzlādē.

Pie temperatūras, kas pārsniedz 50°C, akumulatoru darbība tiek negatīvi ietekmēta. Vajag izvairīties no ilgākas saules un karstuma iedarbības.

Lādētāja un akumulatoru pievienojuma kontakti jāuztur tīri.

Lai baterijas darba ilgums būtu optimāls, pēc iekārtas izmantošanas tā jāuzlādē.

Lai akumulatori kalpotu pēc iespējas ilgāku laiku, tos pēc uzlādes ieteicams atvienot no lādētājierīces.

Akumulatora uzglabāšana ilgāk kā 30 dienas: uzglabāt akumulatoru pie aptuveni 27°C un sausā vietā. Uzglabāt akumulatoru uzlādes stāvoklī aptuveni pie 30%-50%. Uzlādēt akumulatoru visus 6 mēnešus no jauna.

LITĪJA JONU AKUMULATORU TRANSPORTĒŠANA

Uz litija jonu akumulatoriem attiecas noteikumi par bīstamo kravu pārvaļāšanu.

Šo akumulatoru transportēšana jāveic saskaņā ar vietējiem, valsts un starptautiskajiem normatīvajiem aktiem un noteikumiem.

Patērētāja darbības, pārvaļājot šos akumulatorus pa autoceļiem, nav reglamentētas.

Uz litija jonu akumulatoru komerciālu transportēšanu, ko veic ekspedīcijas uzņēmums, attiecas bīstamo kravu pārvaļāšanas noteikumi. Sagatavošanās darbus un transportēšanu drīkst veikt tikai atbilstoši apmācīts personāls. Viss process jāveda profesionāli.

Veicot akumulatoru transportēšanu, jāievēro:

Pārliecinieties, ka kontakti ir aizsargāti un izolēti, lai izvairītos no issavienojumiem. Pārliecinieties, ka akumulators iepakojumā nevar paslidēt. Bojātus vai tekošus akumulatorus nedrīkst transportēt. Plašāku informāciju Jūs varat saņemt no ekspedīcijas uzņēmuma.

AKUMULATORA AIZSARDZĪBA PRET PĀRSLOGOJUMU

Akumulatoru pārslodzējuma gadījumos, esot ļoti lielam elektroenerģijas patēriņam, piem., ārkārtīgi augsts griezes moments, pēkšņa apstāšanās vai issavienojums, elektriskais darbarīks 5 sekundes vībrs, uzlādes indikators mirgo, un elektriskais darbarīks pats izslēdzas.

Lai to atkal ieslēgtu, atlaižiet ieslēgšanas pogu un tad to ieslēdziet no jauna.

Esot ārkārtīgi augstam noslogojumam, akumulators saskarst pārāk daudz. Šādā gadījumā visas uzlādes indikatora lampiņas mirgo tik ilgi, kamēr akumulators ir atdzisis. Darbu varat turpināt, kad uzlādes indikators vairs nedeg.

Akumulatoru var ievietot lādētājā, lai to atkal uzlādētu un aktivizētu.



Lat

PAPILDU PADOMI IEKĀRTAS LIETOŠANĀ

Izmantošanas laikā atbalstiet satveršanas stiepli.

Normālo pielietojumu skatīt attēlu sadaļā.

Atritināšanas laikā novērojiet satveršanas stiepli. Tuvojoties pilnas atritināšanas pakāpei, uz satveršanas stieples būs redzama dzeltena krāsa. Līdzko kļūst redzama dzeltenā krāsa, pārstājiet atritināšanu. Turpmāka atritināšana var bojāt vai saplēst satveršanas stiepli.

Pirms vilkt cauri vadu, pievērsiet uzmanību savai apkārtnēi un iespējamajiem tuvumā esošajiem riskiem sev un citiem, kas rastos, stieplei plīstot tās vilkšanas laikā.

NORĀDE: Ja iekārta nobloķējas, nekavējieties atlaidiet slēdzi. Nevelciet ar varu bloķēšanu vai pretestības gadījumā. Tā vietā atlaidiet vadu un noņemiet šķērslī.

Lai ievilkta satveršanas stiepli, pārvietojiet vadības slēdzi ievilkšanas pozīcijā un pavelciet sprūdu. Pārtrauciet ievilkšanu, tiklīdz satveršanas stieple ir atgriezusies sākuma pozīcijā. Turpmāka ievilkšana var bojāt vai saplēst spoli.

Ja instruments izslēdzas padošanas laikā:

- Atlaidiet sprūdu.
- Pārslēdziet vadības slēdzi ievilkšanas pozīcijā.
- Nospiediet sprūdu 3-4 sekundes.
- Pārslēdziet vadības slēdzi padošanas pozīcijā.
- Nospiediet sprūdu un mēģiniet padot vēlreiz.
- Ja nepieciešams, atkārtojiet iepriekš minētās darbības līdz 5 reizēm.
- Ja padošanas laikā instruments turpina izslēgties, ir jānomaina spole.

Ja strāvu nevarošā lente padošanas laikā sāk ievilkties atpakaļ spolē:

- Atlaidiet sprūdu.
- Pārslēdziet vadības slēdzi ievilkšanas pozīcijā.
- Stingri satveriet lenti tieši pie spoles.
- Nospiediet sprūdu, vienlaikus ar otru roku saspiežot lenti, kad lente ievelkas atpakaļ cilindrā.
- Atlaidiet sprūdu.
- Pārslēdziet vadības slēdzi padošanas pozīcijā.
- Nospiediet sprūdu un mēģiniet padot vēlreiz.
- Ja nepieciešams, atkārtojiet iepriekš minētās darbības līdz 5 reizēm.
- Ja instruments padošanas laikā turpina ievilkst, ir jānomaina spole.

APKOPE

Pirms mašīnai veikt jebkāda veida apkopes darbus, ir jāizņem ārā akumulators.

Noslaukiet brīvi stāvošo spirāli ar drānu un atkal iebidiet trumulī.

Pirms cauruļu tīrīšanas iekārta uzglabāšanas pilnībā izvelciet spirāli. Spirāli notīriet un vaļīgi uztiniet.

Izmantojiet tikai firmu Milwaukee piederumus un firmas Milwaukee rezerves daļas. Lieciet nomainīt detaļas, kuru nomaīņa nav aprakstīta, kādā no firmu Milwaukee klientu apkalpošanas servisiem. (Skat. brošūru „Garantija/klientu apkalpošanas serviss“.)

Ja nepieciešams, klientu apkalpošanas servisā vai tieši pie firmas Techtronic Industries GmbH, Max-Eyth-Straße 10, 71364 Winnenden, Germany, var pieprasīt instrumenta numurs, kas norādīts uz jaudas paneļa.

ATBILSTĪBA CE NORMĀM

Mēs ar pilnu atbildību paziņojam, ka izstrādājums, kas raksturots sadaļā „Tehniskie dati“, atbilst visām attiecīgajām prasībām direktīvās:

2011/65/ES (RoHS)

2006/42/EK

2014/30/ES

un ir piemēroti šādi saskaņotie standarti

EN 62841-1:2015+AC:2015

EN 55014-1:2017+A11:2020

EN 55014-2:2015

EN IEC 63000:2018



Winnenden, 2020-09-21

Alexander Krug / Managing Director
Pilnvarotais tehniskās dokumentācijas sastādītājs.
Techtronic Industries GmbH
Max-Eyth-Straße 10, 71364 Winnenden, Germany



SIMBOLI



UZMANĪBU! BĪSTAMI!



Pirms sākt lietot instrumentu, lūdzu, izlasiet lietošanas pamācību.



Strādājot ar mašīnu, vienmēr jānēsā aizsargbrilles.



Jāvalkā aizsargcimdi!



Neizmantojiet zem sprieguma esošās ķēdēs vai to tuvumā



Neizmantojiet, stāvēt uz uzslīetām kāpnēm



Pirms mašīnai veikt jebkāda veida apkopes darbus, ir jāizņem arī akumulators.



Piederumi - standartaplikojumā neietvertās, bet ieteicamās papildus komplektācijas detaļas no piederumu programmas.



Elektriskus aparātus, baterijas/akumulatorus nedrīkst utilizēt kopā ar mājtsaimniecības atkritumiem. Elektriski aparāti un akumulatori ir jāsavāc atsevišķi un jānodod atkritumu pārstrādes uzņēmumā videi saudzīgai utilizācijai. Jautājiet vietējā iestādē vai savam specializētajam tirgotājam, kur atrodas atkritumu pārstrādes uzņēmumi vai savākšanas punkti.

n₀ Tukšgaitas apgrīzeņu skaits

V Voltāža

== Līdzstrāva



Eiropas atbilstības zīme



Lielbritānijas atbilstības zīme



Ukrainas atbilstības zīme



Eirāzijas atbilstības zīme



TECHNINIAI DUOMENYS Kabelių tiesimo juosta	M18 FPFT	
Produkto numeris	4749 40 01... ... 000001-999999	
Keičiamo akumuliatoriaus įtampa	18 V	
Sūkių skaičius laisva eiga	0 - 37 min ⁻¹	
Plieninės kabelių tiesimo ritės juostos ilgis	37 m	73 m
Plieninės kabelių tiesimo ritės juostos plotis	3 mm	
Prietaiso svoris įvertintas pagal EPTA 01/2014 tyrimų metodiką (Li-Ion 2,0 Ah...12,0 Ah)	7,13...8,19 kg	8,43...9,49 kg
Nelaidžios kabelių tiesimo ritės juostos ilgis	30 m	61 m
Prietaiso svoris įvertintas pagal EPTA 01/2014 tyrimų metodiką (Li-Ion 2,0 Ah...12,0 Ah) (Nelaidi)	6,43...7,49 kg	7,03...8,09 kg
Rekomenduojama aplinkos temperatūra eksploatuojant	-18°C... +50°C	
Rekomenduojami akumuliatoriai	M18...	
Rekomenduojami įkrovikliai	M12-18...	
Informacija apie keliamą triukšmą Vertės matuotos pagal EN 62841. Įvertintas A įrenginio keliamo triukšmo lygis dažniausiai sudaro:		
Garso slėgio lygis (Paklaida K=3dB(A))	71,45 dB (A)	
Garso galios lygis (Paklaida K=3dB(A))	82,45 dB (A)	
Nešioti klausos apsaugines priemones!		
Informacija apie vibraciją Bendroji svyravimų reikšmė (trijų krypčių vektorių suma), nustatyta remiantis EN 62841.		
Vibravimų emisijos reikšmė a _v Paklaida K=	0,64 m/s ² 1,5 m/s ²	



DĖMESIO

Šiame vadove nurodytos bendrosios vibracijos ir triukšmo emisijos vertės nustatytos pagal standartinius bandymo metodus pagal EN 62841, todėl gali būti taikomos lyginant vieną įrankį su kitu. Gali būti naudojama preliminariam poveikio įvertinimui.

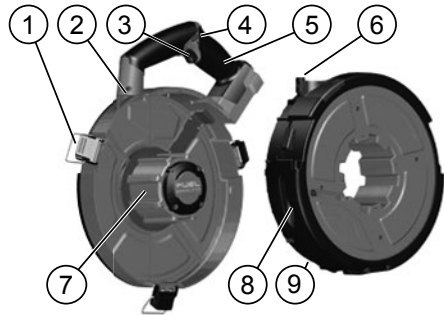
Nurodytos bendrosios vibracijos ir triukšmo emisijos vertės atitinka įrankio taikymą. Jei įrankis naudojamas kitokiais tikslais, kartu su kitokiais priedais ar netinkamai prižiūrimas, bendrosios vibracijos ir triukšmo emisijos vertės gali skirtis. Tai gali žymiai padidinti poveikio lygį viso darbo metu.

Apskaičiuojant bendrosios vibracijos ir triukšmo emisijos vertes reikėtų atsižvelgti į laikotarpį, kai prietaisas yra išjungtas arba įjungtas, bet nėra naudojamas. Tai gali žymiai sumažinti poveikio lygį viso darbo metu.

Tam, kad naudotojas būtų apsaugotas nuo vibracijos ir (arba) triukšmo poveikio, reikia nustatyti papildomus saugos reikalavimus, pavyzdžiui: tinkamai prižiūrėti prietaisą ir jo priedus, laikyti rankas šiltais, organizuoti darbo modelius.

Nešioti klausos apsaugos priemones. Dėl didelio triukšmo poveikio gali būti pažeidžiama klausos.

⚠ DĖMESIO! Perskaitykite visus saugos nuorodas, instrukcijas, iliustracijas ir duomenis, kuriuos gaunate su prietaisu. Jei nepaisysite toliau pateiktų nuorodų, gali kilti elektros smūgio, gaisro ir/arba sunkių sužalojimų pavojus. **Išsaugokite šias saugos nuorodas ir reikalavimus, kad ir ateityje galėtumėte jais pasinaudoti.**



Įrenginio aprašymas

- ① Sklęščiai
- ② Antgalio įranta
- ③ Gaidukas
- ④ Valdymo jungiklis
- ⑤ Rankena
- ⑥ Antgalis
- ⑦ Įvorė
- ⑧ Ritės rankenos
- ⑨ Ritė

⚠ KABELIŲ TIESIMO JUOSTOS SAUGOS ĮSPĖJIMAI

Nenaudokite prie elektros linijų, kuriomis teka srovė, ar šalia jų Dirbdami netoli elektros įrangos būkite labai atsargūs. Traukdami per kanalą, kuriame yra kitų laidų, įsitikinkite, kad išjungtas elektros tiekimas į šiuos laidus arba jie yra atjungti.

Traukdami tvirtai stovėkite ir stenkitės išlaikyti pusiausvyrą. Netraukite stovėdami ant kopėčių. Pasitaikius kliūčiai ar pasipriešinimui kopėčios gali pasidaryti nestabilios, todėl galite neišlaikyti pusiausvyros ar prarasti įrankio kontrolę.

Naudodami šį įrenginį, remkitės racionalumu ir elkitės atsargiai. Neįmanoma numatyti visų galimų situacijų, kurios gali sukelti pavojingų pasekmių. Nenaudokite šio įrenginio, jei naudojimo instrukcijos nėra aiškios arba manote, kad darbas neatitinka jūsų pajėgumo; dėl papildomos informacijos ar mokymų susisiekiate su „Milwaukee Tool“ arba šios srities profesionalu.

DĖMESIO! Kai kurios dulksės sukeltos elektrinio šlifavimo, pjovimo, šlifavimo, gręžimo ir kitų statybos veiklų, turi chemikalų, galinčių sukelti vėžį, apsigimimus ar kitą reprodukcinę žalą. Kai kurie šių chemikalų pavyzdžiai yra:

- švinas iš švino pagrindu pagamintų dažų
- kristalinis silicis iš plytų ir cemento, ir kitų mūro gaminių; bei
- arsenas ir chromas iš chemiškai apdorotos medienos.

Rizika susijusi su šių chemikalų poveikiu priklauso nuo to, kaip dažnai susiduriama su tokio pobūdžio darbu.

Kad sumažintumėte šių chemikalų keliamą poveikį, dirbkite gerai vėdinamoje patalpoje su saugos reikalavimus atitinkančia įranga, pavyzdžiui, dėvėkite respiratorių, kuris pritaikytas filtruoti mikroskopines dalelytes.

Nepašalinkite etikečių ir duomenų plokštelių. Šiose plokštelėse pateikiama svarbios informacijos. Jei jos tapo neįskaitomos ar jų nebėra, kreipkitės į MILWAUKEE klientų aptarnavimo skyrį ir nemokamai gausite naujas.

KITI SAUGUMO IR DARBO NURODYMAI

Dėvėkite apsaugines priemones. Dirbdami su mašina visada užsidėkite apsauginius akinius. Rekomenduotina dėvėti apsaugines priemones: apsaugos nuo dulkių respiratorius, apsaugines pirštines, kietus batus neslidžiais padais, šalmą ir klausos apsaugos priemones.

Darbo metu susidarancios dulksės yra dažnai kenksmingos sveikatai ir todėl turėtų nepatekti į organizmą. Dėvėti tinkamą apsauginę kaukę nuo dulkių.

Negalima apdirbti medžiagų, dėl kurių galimi sveikatos pažeidimai (pvz., asbesto).

Blokuojant įstatomąjį įrankį būtina išjungti prietaisą! Neįjunkite prietaiso, kol įstatomasis įrankis yra užblokuotas; galimas grįžtamasis smūgis su dideliu sukimo momentu. Atsijvelgdami į saugumo nurodymus, nustatykite ir pašalinkite įstatomojo įrankio blokavimo priežastį.

Prieš atlikdami bet kokius darbus įrenginyje, išimkite keičiamą akumuliatorių.

Sunaudotą keičiamą akumuliatorių nedeginkite ir nemeskite į buitines atliekas. „Milwaukee“ siūlo tausojantį aplinką sudėvėtų keičiamų akumuliatorių tvarkymą, apie tai prekybos atstovo.

Keičiamų akumuliatorių nelaikykite kartu su metaliniais daiktais (trumpojo jungimo pavojus).

Ekstremalių apkrovų arba ekstremalios temperatūros poveikyje iš keičiamų akumuliatorių gali ištėkėti akumuliatoriaus skystis. Išsitiesus akumuliatoriaus skystį, tuoj pat nuplaukite vandeniu su muilu. Patekus į akis, tuoj pat ir trumpiau kaip 10 minučių gausiai skalaukite vandeniu ir tuoj pat kreipkitės į gydytoją.

Siekdami išvengti trumpojo jungimo sukeliama gaisro pavojaus, sužalojimų arba produkto pažeidimų, neiškiškite įrankio, keičiamo akumuliatoriaus arba įkroviklio į skystčius ir pasirūpinkite, kad į prietaisus arba akumuliatorius nepatektų jokių skystčių. Koroziją sukeliantys arba laidūs skystčiai, pvz., šūrus vanduo, tam tikri chemikalai ir balikliai arba produktai, kurių sudėtyje yra baliklių, gali sukelti trumpąjį jungimą.

Keičiamas M18 sistemos akumuliatorius kraukite tik „M18“ sistemos įkrovikliais. Nekreukite kitų sistemų akumuliatorių.

Keičiamų akumuliatorių ir įkroviklių nelaikykite atvirai. Laikykite tik sausoje vietoje. Saugokite nuo drėgmės.

NAUDOJIMAS PAGAL PASKIRTĮ

Kabelių tiesimo juosta yra idealus įrankis, naudojamas laidams tiesyti per sienas ir elektrinius kanalus.

AKUMULIATORIAI

Ilgesnį laiką nenaudotus keičiamus akumuliatorius prieš naudojimą įkraukite.

Aukštesnė nei 50°C temperatūra mažina keičiamų akumuliatorių galią. Venkite ilgesnio saulės ar šilumos šaltinių poveikio.

Įkroviklio ir keičiamo akumuliatoriaus jungiamieji kontaktai visada turi būti švarūs.

Kad prietaisas kuo ilgiau veiktų, pasinaudoję juo, iki galo įkraukite akumuliatorius.

Siekiant užtikrinti kuo ilgesnį baterijos tarnavimo laiką, reikėtų ją po atlikto įkrovimo iškart išimti iš įkroviklio.

Bateriją laikant ilgiau nei 30 dienų, būtina atkreipti dėmesį į šias nuorodas: bateriją laikyti sausoje aplinkoje, esant apie 27°C temperatūrai. Baterijos įkrovimo lygis turi būti nuo 30% iki 50%. Baterija pakartotinai turi būti įkraunama kas 6 mėnesius.

LIČIO JONŲ AKUMULIATORIŲ PERVEŽIMAS

Ličio jonų akumuliatoriams taikomos įstatyminės nuostatos dėl pavojingų krovinių pervežimų.

Šiuos akumuliatorius pervežti būtina laikantis vietinių, nacionalinių ir tarptautinių direktyvų ir nuostatų.

Naudotojai šiuos akumuliatorius gali naudoti savo transporte be jokių kitų sąlygų.

Už komercinį ličio jonų akumuliatorių pervežimą atsako ekspedicijos įmonė pagal nuostatas dėl pavojingų krovinių pervežimo. Pasiruošimo išsiųsti ir pervežimo darbus gali atlikti tik atitinkamai išmokyti asmenys. Visas procesas privalo būti prižiūrimas.

Pervežant akumuliatorius būtina laikytis šių punktų:

Siekiant išvengti trumpųjų jungimų, įsitikinkite, kad kontaktai yra apsaugoti ir izoliuoti. Atkreipkite dėmesį, kad akumuliatorius pakuočės viduje neslidinėtų. Draudžiama pervežti pažeistus arba tekancius akumuliatorius. Dėl detalesnių nurodymų kreipkitės į savo ekspedicijos įmonę.

APSAUGA NUO AKUMULIATORIAUS PERKROVOS

Esant akumuliatoriaus perkrovai dėl pernelyg didelio srovės suvartojimo, pvz.: itin didelių apsučių, staiga susabdomo ar trumpojo jungimo, elektrinis įrankis vibruoja 5 sekundes, signalinis įkrovos rodmuo pradeda mirksėti ir elektrinis įrankis automatiškai išsijungia.

Norint įrankį pakartotinai įjungti, reikia atleisti jungiklį ir vėl jį įjungti.

Esant ekstremalioms apkrovoms akumuliatorius per stipriai įkaista. Tokiu atveju visos įkrovos lempučių mirksi taip ilgai, kol akumuliatorius atvėsta. Užgesus įkrovos rodmėnis įrankiu galima naudotis toliau.

Tada akumuliatorių reikia įkišti į įkroviklį, kad jis įsikrautų ir veiktų.



KITI PATARIMAI, KAIP NAUDOTI PRIETAISĄ

Naudodami prilaikykite kabelių tiesimo juostą. Informacijos apie įprastinį naudojimą žr. paveikslėlių skyriuje. Ištempdami stebėkite kabelių tiesimo juostą. Beveik visišškai ištraukus, kabelių tiesimo juosta bus pažymėta geltona spalva. Pamatę geltoną spalvą, toliau nebetraukite. Traukdami toliau galite pažeisti arba sutraukti kabelių tiesimo juostą.

Prieš perkūšdami laidą pagalvokite apie aplink esančius daiktus ir potencialių pavojų sau ir kitiems žmonėms, jei traukiant juosta nutrūktų.

PATARIMAS: jei įsijungia įrankio blokavimo funkcija, iškart paleiskite jungiklį. Stipriai netraukite užstrigusio ar pasipriešinimo tašką pasiekusio laido. Vietoje to, išimkite laidą ir pašalinkite kliūtį.

Norėdami įtraukti kabelių tiesimo juostą pastumkite valdymo jungiklį į įtraukimo padėtį ir patraukite gaiduką. Kabelių tiesimo juostai grįžus į pradinę padėtį nutraukite įtraukimą. Bandydami įtraukti toliau galite pažeisti arba sutraukti kabelių tiesimo juostą.

Jeį prietaisas išsijungia padavimo metu.

- Atleiskite jungiklį.
- Pastumkite valdymo jungiklį į įtraukimo padėtį.
- Patraukite jungiklį 3-4 sekundes.
- Pastumkite valdymo jungiklį į padavimo padėtį.
- Pastumkite jungiklį ir pabandykite paduoti vėl.
- Pakartokite aukščiau esančius žingsnius 5 kartus, jei reikėtų.
- Jeį prietaisas ir toliau išsijungia padavimo metu, reikia pakeisti būgną.

Jeį nepralaidi juosta pradeda įsitraukti į būgną padavimo metu:

- Atleiskite jungiklį.
- Pastumkite valdymo jungiklį į įtraukimo padėtį.
- Suimkite juostą už būgno išorės naudodami stiprų rankos paspaudimo suėmimą.
- Pastumkite jungiklį naudodami įtempimą juostai kita ranka, kai juosta įsitraukia atgal į būgną.
- Atleiskite jungiklį.
- Pastumkite valdymo jungiklį į padavimo padėtį.
- Pastumkite jungiklį ir pabandykite paduoti vėl.
- Pakartokite aukščiau esančius žingsnius 5 kartus, jei reikėtų.
- Jeį įrankis ir toliau įsitraukia padavimo metu, reikia pakeisti būgną nauju.

TECHNINIS APTARNAVIMAS

Prieš atlikdami bet kokius darbus įrenginyje, išimkite keičiamą akumuliatorių.

Išorinę spiralę nuvalykite skudurėliu ir vėl įdėkite į būgną.

Prieš sandėliuojant vamzdžių valymo prietaisą, visiškai ištraukite spiralę. Nuvalykite ir laisvai suvyniokite spiralę.

Naudokite tik „Milwaukee“ priedus ir „Milwaukee“ atsargines dalis. Dalis, kurių keitimas neaprašytas, leidžiama keisti tik „Milwaukee“ klientų aptarnavimo skyriams (žr. garantiją/klientų aptarnavimo skyrių adresus brošiūroje).

Jeį reikia, nurodant įrenginio tipą bei specifikacijų lentelėje esantį numerį, iš klientų aptarnavimo skyriaus arba tiesiai iš Techtronic Industries GmbH, Max-Eyth-Straße 10, 71364 Winnenden, Germany, galima užsisakyti prietaiso surinkimo brėžinius.

CE ATITIKTIETIS PAREIŠKIMAS

Prisiimdami visą atsakomybę pareiškiame, kad gaminys, aprašytas „Techniniuose duomenyse“, atitinka taikomus reikalavimus, išdėstytus direktyvose:

2011/65/ES (RoHS)

2006/42/EB

2014/30/ES

ir buvo taikyti šie darnieji standartai

EN 62841-1:2015+AC:2015

EN 55014-1:2017+A11:2020

EN 55014-2:2015

EN IEC 63000:2018



Winnenden, 2020-09-21

Alexander Krug / Managing Director

Įgaliotas parengti techninius dokumentus.

Techtronic Industries GmbH

Max-Eyth-Straße 10, 71364 Winnenden, Germany



SIMBOLIAI



DĖMESIO! ĮSPĖJIMAS! PAVOJUS!



Prieš pradėdami dirbti su prietaisu, atidžiai perskaitykite jo naudojimo instrukciją.



Dirbdami su įrenginiu visada nešiokite apsauginius akinius.



Lietojiet aizsardzības cimdus!



Nenaudokite prie elektros linijų, kuriomis tekarovė, ar šalia jų



Nenaudokite stovėdami ant kopėčių



Prieš atlikdami bet kokius darbus įrenginyje, išimkite keičiamą akumuliatorių.



Priedas – neįeina į tiekimo komplektaciją, rekomenduojamas papildymas iš priedų asortimento.



Elektros prietaisų, baterijų/akumuliatorių šalinti kartu su buitinėmis atliekomis negalima. Elektros prietaisus ir akumuliatorius reikia surinkti atskirai ir atiduoti perdirbimo įmonei, kad būtų pašalinti aplinkai saugiu būdu. Vietos valdžios institucijose arba specializuotose prekybos vietose pasidomėkite apie perdirbimo ir surinkimo centrus.

n₀ Sūkių skaičius laisva eiga

V Įtampa



Nuolatinėrovė



Europos atitikties ženklas



Britanijos atitikties ženklas



Ukrainos atitikties ženklas



Eurazijos atitikties ženklas



TEHNILISED ANDMED	M18 FPFT	
Tõmbetross		
Tootmisnumber	4749 40 01... ... 000001-999999	
Vahetatava aku pinge	18 V	
Pöörlemiskiirus tühijooksul	0 - 37 min ⁻¹	
Poolil terastõmbetrossi pikkus	37 m	73 m
Poolil terastõmbetrossi laius	3 mm	
Kaal vastavalt EPTA-protseduurile 01/2014 (Li-Ion 2,0 Ah...12,0 Ah)	7,13...8,19 kg	8,43...9,49 kg
Elektrit mittejuhtiva poolil tõmbetrossi pikkus	30 m	61 m
Kaal vastavalt EPTA-protseduurile 01/2014 (Li-Ion 2,0 Ah...12,0 Ah) (Ei juhi elektrit)	6,43...7,49 kg	7,03...8,09 kg
Soovituslik keskkonna temperatuur töötamiseks	-18°C... +50°C	
Soovituslikud akupakid	M18...	
Soovituslik laadija	M12-18...	
Müra andmed		
Mööteväärtsused on kindlaks tehtud vastavalt normile EN 62841. Seadme tüüpiline hinnanguline (müratase:		
Helirõhutase (Määramatus K=3dB(A))	71,45 dB (A)	
Helivõimsuse tase (Määramatus K=3dB(A))	82,45 dB (A)	
Kandke kaitseks kõrvaklappe!		
Vibratsiooni andmed		
Vibratsiooni koguväärtus (kolme suuna vektorsummöödetud EN 62841 järgi.		
Vibratsiooni emissiooni väärtus a _h	0,64 m/s ²	
Määramatus K=	1,5 m/s ²	



Est

TÄHELEPANU

Sellel teabelehel toodud vibratsiooni- ja müraemissioon on mõõdetud standardis EN 62841 kirjeldatud standarditud testiga ning seda võib kasutada tööriistade omavaheliseks võrdlemiseks. Testi võib kasutada kokkupuute esialgseks hindamiseks.

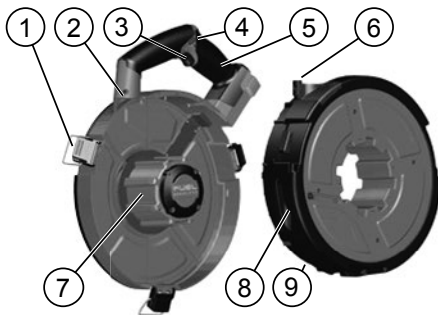
Deklareeritud vibratsiooni- ja müratase puudutab tööriista põhikasutust. Kui tööriista kasutatakse muuks otstarbeks, teistsuguste tarvikutega või tööriista hooldatakse halvasti, võivad vibratsioon ja müraemissioon erineda. See võib kokkupuudetaset kogu tööajal oluliselt suurendada.

Vibratsiooni ja müraga kokkupuute hinnangulise taseme juures tuleb arvesse võtta ka aega, kui tööriist on välja lülitatud või töötab, kuid sellega ei tehta tööd. See võib kokkupuudetaset kogu tööaja kohta oluliselt vähendada.

Tehke kindlaks täiendavad ohutusmeetmed operatori kaitsmiseks vibratsiooni ja/või müra eest, näiteks: hooldage tööriista ja tarvikuid, hoidke käed soojas, vaadake üle töökorraldus.

Kandke kaitseks kõrvaklappe. Müra toime võib põhjustada kuulmiskadu.

⚠ TÄHELEPANU! Lugege kõik seadmega kaasas olevad ohutusjuhised, juhendid, joonised ja andmed läbi. Järgnevalt toodud juhiste eiramise tagajärjeks võib olla elektrilöök, tulekahju ja/või rasked vigastused. **Hoidke kõik ohutusnõuded ja juhised edasiseks kasutamiseks hoolikalt alles.**



Seadme kirjeldus

- ① Aasad
- ② Ääriku säik
- ③ Päästik
- ④ Juhtlüliti
- ⑤ Käepide
- ⑥ Äärük
- ⑦ Rumm
- ⑧ Pooli käepidemed
- ⑨ Pool

▲ TÖMBETROSSI OHUTUSALASED HOIATUSED

Ärge kasutage pingestatud ahelatel või nende lähedal olge elektriseadmete lähedal töötamise ajal äärmiselt ettevaatlik. Kui tõmbate trossi läbi juhtmekanalite, kus on ka teisi juhtmeid, veenduge, et ka neis juhtmetes ei oleks voolu.

Trossi tõmbamisel toetuge kindlalt kahele jalale ja hoidke tasakaalu. Ärge tõmmake redelil seistes. Kui tunnete tõmbamisel takistust, võib redel muutuda ebastabiilseks, mis võib põhjustada tasakaalu või kontrolli kaotust.

Kasutage tööriistade käsitsemisel alati ratsionaalset mõtlemist ja olge ettevaatlik. Kõiki ohtlikke olukordi ei ole võimalik ette näha. Ärge kasutage seda tööriista, kui te ei saa kasutusjuhendist aru või kui tunnete, et töö ületab teie võimeid; lisateabe saamiseks või koolitusel osalemiseks pöörduge Milwaukee Tooli poole.

TÄHELEPANU! Elektrilise poleerimise, saagimise, lihvimise, puurimise ja muude ehitustööde käigus tekkinud tolm võib sisaldada kemikaale, mis põhjustavad vähi, sünnidefekte või muud reproduktiivkahju. Sellised kemikaalid on näiteks järgmised:

- pliipõhises värvis sisalduv plii;
- tellistes, tsemendis ja muudes müüritoodetes sisalduv kristalliline ränioksiid;
- keemiliselt töödeldud puidus sisalduv arseen ja kroom.

Nende kemikaalidega kokkupuutumisega kaasnev risk sõltub sellest, kui tihti seda laadi tööd teete.

Nende kemikaalidega kokkupuutumise riski vähendamiseks töötage hea ventilatsiooniga kohas ning kasutage heakskiidetud isikukaitsevahendeid, näiteks mikrokoopilisi osakesi filtreerivad tolmumaskid.

Ärge eemaldage etikette ja tüübisilte. Neil siltidel seisab oluline teave. Kui sildid pole enam loetavad või need puuduvad, siis võtke tasuta asendussildide saamiseks ühendust MILWAUKEE klienditeenindusega.

EDASISED OHUTUS- JA TÖÖJUHISED

Kasutage kaitsevarustust. Masinaga töötamisel kanda alati kaitseprille. Kaitseriietusena soovitatakse kasutada tolmumaski kaitsekindaid, kinniseid ja libisemisvastase tallaga jalanõusid, kiivrit ja kuulmisteede kaitset.

Töö ajal tekkinud tolm on sageli tervistkahjustav ning ei tohiks sattuda organismi. Kanda sobivat kaitsemaski.

Töödelda ei tohi materjale, millest lähtub oht tervisele (nt asbest).

Palun lülitage seade rakendustööriista blokeerumise korral kohe välja! Ärge lülitage seadet sisse tagasi, kuni rakendustööriist on blokeeritud; seejuures võib kõrge reaktsioonimomendiga tagasilöökk tekkida. Tehke ohutusjuhiseid arvesse võttes kindlaks ja kõrvaldage rakendustööriista blokeerumise põhjus.

Enne kõiki töid masina kallal võtke vahetatav aku välja.

Ärge visake tarvitatud vahetatavaid akusid tulle ega olmeprügisse. Milwaukee pakub vanade akude keskkonnahoidlikku käitlust; palun küsige oma erialaselt tarnijat.

Ärge säilitage vahetatavaid akusid koos metallsemetega (lühiseoht).

Äärmuslikul koormusel või äärmuslikul temperatuuril võib kahjustatud vahetatavat akust akuedelik välja voolata. Akuedelikuga kokkupuutumise korral peske kohe vee ja seebiga. Silma sattumise korral loputage kiiresti põhjalikult vähemalt 10 minutit ning pöörduge viivitamatult arsti poole.

Lühisest põhjustatud tuleohtu, vigastuste või toote kahjustuste vältimiseks ärge kastke tööriista, vahetusakut ega laadimiseadet vedelikku ning jälgige, et vedelikke ei tungiks seadmesse ega akusse. Korrodeerunud või elektrilisi juhtmeid vedelikud, nagu

soolvesi, teatud kemikaalid ja pleegitusained või pleegitusaineid sisaldavad tooted, võivad põhjustada lühiseid.

Laadige süsteemi M18 vahetatavaid akusid ainult süsteemi M18 laadijatega. Ärge laadige nendega teiste süsteemide akusid.

Ärge avage vahetatavaid akusid ega laadijaid ning ladustage neid ainult kuivades ruumides. Kaitse niiskuse eest.

KASUTAMINE VASTAVALT OTSTARBELE

Tõmbetross sobib ideaalselt juhtmete vedamiseks läbi seinte ja juhtmekanalite.

AKUD

Pikemat aega mittekasutatud akusid laadige veel enne kasutamist. Temperatuur üle 50 °C vähendab vahetatava aku töövõimet. Välistage pikemat soojenemist päikese või kütteseadme mõjul.

Hoidke laadija ja vahetatava aku ühenduskontaktid puhtad.

Optimaalse patarei eluae tagamiseks, pärast kasutamist lae patareiplokk täielikult.

Akud tuleks võimalikult pika kasutusea saavutamiseks pärast täislaadimist laadijast välja võtta.

Aku ladustamisel üle 30 päeva: Ladustage akut kuivas kohas u 27°C juures. Ladustage akut u 30-50% laetusseisundis. Laadige aku iga 6 kuu tagant täis.

LIITIUMIOONAKUDE TRANSPORTIMINE

Liitiumioonakud on allutatud ohtlike ainete transportimisega seonduvatele õigusaktidele.

Nende akude transportimine peab toimuma kohalikest, siseriiklikest ja rahvusvahelistest eeskirjadest ning määrustest kinni pidades.

Tarbijad tohivad neid akusid edasiste piiranguteta tänaval transportida.

Liitiumioonakude komertstransport ekspedeerimisettevõtete kaudu on allutatud ohtlike ainete transportimisega seonduvatele õigusaktidele. Tarne-ettevalmistusj ja transporti tohivad teostada eranditult vastavalt koostatud isikud. Kogu protsessi tuleb asjatundlikult jälgida.

Akude transportimisel tuleb järgida järgmisi punkte:

Tehke kindlaks, et kontaktid on lühiste vältimiseks kaitsitud ja isoleeritud. Pöörake tähelepanu sellele, et akupakk ei saaks pakendis nihkuda. Kahjustatud või välja voolanud akusid ei tohi kasutada. Pöörduge edasiste juhiste saamiseks ekspedeerimisetvõtete poole.

AKU KOORMUSKAITSE

Aku ülekoormamisel kõrge voolutarbimisega, nt puuri blokeerumisel, lühise tekkimisel või ülikõrgetel pööretel, vibreerib elektritööriist 5 sekundit, laadimistuli vilgub ja tööriist lülitub automaatselt välja.

Uuesti sisse lülitamiseks tuleb päästik esmalt vabastada ning seejärel uuesti alla suruda.

Ülisuurel koormusel võib aku kuumeneda kõrgete temperatuurideni. Sellisel juhul vilguvad kõik laadimistulukesed kuni aku jahtumiseni. Peale laadimistulukeste kustumist võite tööd jätkata.

Aku tuleb laadimiseks ja taasaktiveerimiseks sisestada laadimisseadmesse.

LISAJUHISEID KASUTAMISEKS

Kasutamise ajal toetage tõmbetrossi.

Trossiga töötamise kohta leiate lisateavet joonistelt.

Tõmbetrossi väljakerimisel jälgige seda. Kui tõmbetross on peaaegu täielikult välja keritud, näete, et see on tähistatud kollasega. Kui



näete kollast värvi, lõpetage väljakerimine. Väljakerimise jätkamine võib tömbetrossi kahjustada või tross võib puruneda.

Enne trossi läbitõmbamist jälgige ümbrust ja võimalikke lähedalasuvaid ohuallikaid enda ja teiste jaoks, kui tross peaks tõmbamise käigus lahti tulema.

MÄRKUS: Kui tööriist blokeerub, tuleb lukk kohe vabastada.

Ärge rakendage tõmbamisel jõudu, kui tross on kinni jäänud või seda takistab miski. Selle asemel eemaldage tross ja kõrvaldage takistus.

Tõmbetrossi tagasikerimiseks lükake juhtlülitit tagasikerimisasendisse ja vajutage käivituslülitile. Katkestage tagasikerimine, kui tömbetross on naasnud algasendisse. Tagasikerimise jätkamine võib pooli kahjustada või pool võib puruneda.

Kui tööriist lülitub etteande ajal välja:

- Vabastage käivituslülit.
- Lükake juhtlülitit sissetõmbeasendisse.
- Tõmmake käivituslülitit 3–4 sekundit.
- Lükake juhtlülitit etteandenasendisse.
- Tõmmake käivituslülitit ja proovige uuesti ette anda.
- Korrake eespool kirjeldatud samme vajaduse korral kuni 5 korda.
- Kui tööriist lülitub etteande ajal endiselt välja, tuleb pool välja vahetada.

Kui elektrijuhtvuse ta lint hakkab etteande ajal pooli tagasi kerima:

- Vabastage käivituslülit.
- Lükake juhtlülitit sissetõmbeasendisse.
- Võtke lindist väljastpoolt pooli tugevalt käega kinni.
- Tõmmake käivituslülitit, hoides samal ajal linti teise käega pinges all, kui see tagasi pooli kerib.
- Vabastage käivituslülit.
- Lükake juhtlülitit etteandenasendisse.
- Tõmmake käivituslülitit ja proovige uuesti ette anda.
- Korrake eespool kirjeldatud samme vajaduse korral kuni 5 korda.
- Kui tööriist kerib etteande ajal endiselt tagasi, tuleb pool välja vahetada.

HOOLDUS

Enne kõiki töid masina kallal võtke vahetatav aku välja.

Puhastage vabalt olev spiraal lapiga ja lükake uuesti trumliisse.

Enne torupuhastaja hoiupeanemist tõmmake spiraal täielikult välja. Puhastage spiraal ja kerige kergelt kokku.

Kasutage ainult Milwaukee tarvikuid ja Milwaukee tagavaraosi. Detailid, mille väljavahetamist pole kirjeldatud, laske välja vahetada Milwaukee klienditeeninduspunktis (vaadake brošüüri garantii / klienditeeninduste aadressid).

Vajaduse korral võite tellida seadme läbilõikejoonise, näidates ära masina tüübi ja andmesildil oleva numbrí. Selleks pöörduge klienditeeninduspunkti või otse: Techtronic Industries GmbH, Max-Eyth-Straße 10, 71364 Winnenden, Germany.

EÜ VASTAVUSAVALDUS

Kinnitame oma ainuvastutusel, et „Tehniliste andmete“ all kirjeldatud toode vastab direktiivide kõigile asjakohastele sätetele:

2011/65/EU (RoHS)

2006/42/EU

2014/30/EU

ning täidetud on järgmistele ühtlustatud standardite nõuded

EN 62841-1:2015+AC:2015

EN 55014-1:2017+A11:2020

EN 55014-2:2015

EN IEC 63000:2018



Winnenden, 2020-09-21

Alexander Krug / Managing Director
On volitatud koostama tehnilist dokumentatsiooni.

Techtronic Industries GmbH
Max-Eyth-Straße 10, 71364 Winnenden, Germany



SÜMBOLID



ETTEVAATUST! TÄHELEPANU! OHUD!



Palun lugege enne käikulaskmist kasutusjuhend hoolikalt läbi.



Masinaga töötades kandke alati kaitseprille.



Kanda kaitsekindaid!



Ärge kasutage pingestatud ahelatel või nende lähedal



Ärge kasutage redelil seistes



Enne kõiki töid masina kallal võtke vahetatav aku välja.



Tarvikud - ei kuulu tarne komplekti, soovitatav täiendus on saadaval tarvikute programmis.



Elektriseadmeid, patareisid/akusid ei tohi utiliseerida koos majapidamisprügiga. Elektriseadmed ja akud tuleb eraldi kokku koguda ning kõrvaldada keskkonnasõbralikul moel töötlemiskeskusesse. Küsige infot jäätmekäitlusjaamade ja kogumispunktide kohta oma kohalike ametnike või edasimüüja käest.

n₀ Pöörlemiskiirus tühijoosul

V

Voltaaž



Alalisvool



Euroopa vastavusmärk



Ühendkuningriigi vastavusmärk



Ukraina vastavusmärk



Euraasia vastavusmärk



ТЕХНИЧЕСКИЕ ДАННЫЕ	M18 FPFT	
Протяжная проволока		
Серийный номер изделия	4749 40 01... ... 000001-999999	
Вольтаж аккумулятора	18 V	
Число оборотов без нагрузки	0 - 37 min ⁻¹	
Длина стальной протяжной проволоки в барабане	37 m	73 m
Ширина стальной протяжной проволоки в барабане	3 mm	
Вес согласно процедуре EPTA 01/2014 (Li-Ion 2,0 Ah...12,0 Ah)	7,13...8,19 kg	8,43...9,49 kg
Длина нетокопроводящей проволоки в барабане	30 m	61 m
Вес согласно процедуре EPTA 01/2014 (Li-Ion 2,0 Ah...12,0 Ah) (Нетокопроводящая)	6,43...7,49 kg	7,03...8,09 kg
Температура окружающей среды, рекомендованная для эксплуатации	-18°C... +50°C	
Рекомендованные аккумуляторные блоки	M18...	
Рекомендованные зарядные устройства	M12-18...	
Информация по шумам		
Значения замерялись в соответствии со стандартом EN 62841. Уровень шума прибора, определенный по показателю A, обычно составляет:		
Уровень звукового давления (Небезопасность K=3dB(A))	71,45 dB (A)	
Уровень звуковой мощности (Небезопасность K=3dB(A))	82,45 dB (A)	
Пользуйтесь приспособлениями для защиты слуха.		
Информация по вибрации		
Общие значения вибрации (векторная сумма трех направлений) определены в соответствии с EN 62841.		
Значение вибрационной эмиссии a _n	0,64 m/s ²	
Небезопасность K=	1,5 m/s ²	



ВНИМАНИЕ

Заявленные значения вибрации и шумового излучения, указанные в настоящем информационном листе, были измерены согласно стандартизированному методу испытания согласно EN 62841 и могут использоваться для сравнения одного инструмента с другим. Они могут применяться для предварительной оценки воздействия на организм человека. Указанные значения вибрации и шумового излучения действительны для основных областей применения инструмента. Однако если инструмент используется в других областях применения или с другими принадлежностями либо проходит ненадлежащее обслуживание, значения вибрации и шумового излучения могут отличаться. Это может существенно увеличить уровень воздействия на организм на протяжении общего периода работы.

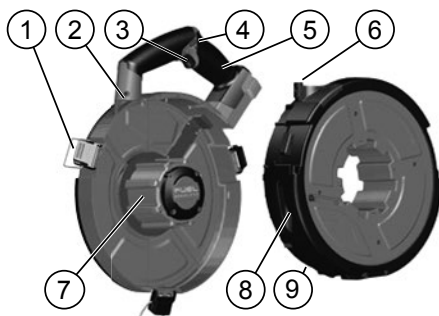
При оценке уровня воздействия вибрации и шумового излучения на организм также необходимо учитывать периоды, когда инструмент выключен, или когда он работает, но фактически не используется для выполнения работы.

Это может существенно сократить уровень воздействия на организм на протяжении общего периода работы.

Определите дополнительные меры для защиты оператора от воздействия вибрации и/или шума, такие как обслуживание инструмента и его принадлежностей, сохранение рук в тепле, организация графиков работы.

Используйте наушники! Воздействие шума может привести к потере слуха.

⚠ ВНИМАНИЕ! Ознакомьтесь с правилами техники безопасности, техническими регламентами, изображениями и данными, прилагаемыми к устройству. При несоблюдении нижеследующих указаний возможно поражение электротоком, возникновение пожара и/или получение серьезных травм. **Сохраняйте эти инструкции и указания для будущего использования.**



Описание устройства

- ① Стопоры
- ② Засечка патрубку
- ③ Пусковой курок
- ④ Выключатель управления
- ⑤ Рукоятка
- ⑥ Патрубок
- ⑦ Втулка
- ⑧ Ручки барабана
- ⑨ Барабан

⚠ ПРЕДУПРЕЖДЕНИЯ ПО БЕЗОПАСНОСТИ ПРИ ИСПОЛЬЗОВАНИИ ПРОТЯЖНОЙ ПРОВОЛОКИ

Не используйте на цепях под напряжением или рядом с ними При работе вблизи электрооборудования соблюдайте предельную осторожность. При протягивании через кабелепровод, содержащий любые другие провода, убедитесь в том, что питание этих проводов выключено или отсоединено.

При протягивании устойчиво стойте на ногах и сохраняйте равновесие. Не выполняйте протягивание с лестницы. Если вы встретите препятствие или сопротивление, лестница может потерять устойчивость, что может привести к потере равновесия или контроля.

Всегда соблюдайте общепринятые правила разумного поведения и будьте осторожны при работе с инструментами. Невозможно предвидеть все ситуации, которые могут привести к опасным последствиям. Не используйте инструмент, если вам непонятны эти инструкции по эксплуатации или если вы читаете, что работа выходит за рамки ваших способностей; свяжитесь с Milwaukee Tool или с квалифицированным специалистом для получения дополнительной информации или проведения инструктажа.

ВНИМАНИЕ! Пыль, которая возникает при шлифовании, пиления, сверлении и других строительных работах, может содержать химические вещества, вызывающие онкологические заболевания, пороки развития или нарушения репродуктивной системы. Некоторые примеры таких химических веществ указаны ниже.

- Свинец из красок, содержащих свинец
- Кристаллический диоксид кремния из кирпичей, цемента и других материалов для кладки стен
- Мышьяк и хром из химически обработанных пиломатериалов

Риск поражения этими химикатами зависит от частоты выполнения подобных работ.

Для уменьшения риска поражения этими химикатами работайте в хорошо вентилируемых помещениях и используйте одобренное защитное оборудование, например респираторы, которые специально предназначены для фильтрации микроскопических частиц.

Не удаляйте этикетки и фирменные щитки. Они содержат важную информацию. Если текст на указательных табличках становится нечитабельным или отсутствует, обратитесь в службу поддержки MILWAUKEE для бесплатной замены табличек.

ДОПОЛНИТЕЛЬНЫЕ УКАЗАНИЯ ПО БЕЗОПАСНОСТИ И РАБОТЕ

Пользоваться средствами защиты. Работать с инструментом всегда в защитных очках. Рекомендуется спецодежда: пылезащитная маска, защитные перчатки, прочная и нескользящая обувь, каска и наушники.

Пыль, возникающая при работе данным инструментом, может нанести вред здоровью. Не следует допускать её попадания в организм. Надевайте противопылевой респиратор.

Запрещается обрабатывать материалы, которые могут нанести вред здоровью (напр., асбест).

При блокировании используемого инструмента немедленно выключить прибор! Не включайте прибор до тех пор, пока используемый инструмент заблокирован, в противном случае может возникнуть отдача с высоким реактивным моментом.

Определите и устраните причину блокирования используемого инструмента с учетом указаний по безопасности.

Выньте аккумулятор из машины перед проведением с ней каких-либо манипуляций.

Не выбрасывайте использованные аккумуляторы вместе с домашним мусором и не сжигайте их. Дистрибьюторы компании Milwaukee предлагают восстановление старых аккумуляторов, чтобы защитить окружающую среду.

Не храните аккумуляторы вместе с металлическими предметами во избежание короткого замыкания.

Аккумуляторная батарея может быть повреждена и дать течь под воздействием чрезмерных температур или повышенной нагрузки. В случае контакта с аккумуляторной кислотой немедленно промойте место контакта мылом и водой. В случае попадания кислоты в глаза промойте глаза в течении 10 минут и немедленно обратитесь за медицинской помощью.

Для предотвращения опасности пожара в результате короткого замыкания, травм и повреждения изделия не опускайте инструмент, сменный аккумулятор или зарядное устройство в жидкости и не допускайте попадания жидкостей внутрь устройств или аккумуляторов. Коррозионные и проводящие жидкости, такие как соленый раствор, определенные химикаты, отбеливающие средства или содержащие их продукты, могут привести к короткому замыканию.

Для зарядки аккумуляторов модели M18 используйте только зарядным устройством M18. Не заряжайте аккумуляторы других систем.

Никогда не вскрывайте аккумуляторы или зарядные устройства и храните их только в сухих помещениях. Следите, чтобы они всегда были сухими.

ИСПОЛЬЗОВАНИЕ

Протяжная проволока — это идеальный инструмент для прокладки проводки через стены и кабелепровод.

АККУМУЛЯТОР

Перед использованием аккумулятора, которым не пользовались некоторое время, его необходимо зарядить. Температура выше 50°C снижает работоспособность аккумуляторов. Избегайте продолжительного нагрева или прямого солнечного света (риск перегрева).

Контакты зарядного устройства и аккумуляторов должны содержаться в чистоте.

Для обеспечения оптимального срока службы аккумулятор необходимо полностью заряжать после использования прибора.

Для достижения максимально возможного срока службы аккумуляторы после зарядки следует вынимать из зарядного устройства.

При хранении аккумулятора более 30 дней: Храните аккумулятор при 27°C в сухом месте. Храните аккумулятор с зарядом примерно 30% - 50%. Каждые 6 месяцев аккумулятор следует заряжать.

ТРАНСПОРТИРОВКА ЛИТИЙ-ИОННЫХ АККУМУЛЯТОРОВ

Литий-ионные аккумуляторы в соответствии с предписаниями закона транспортируются как опасные грузы.

Транспортировка этих аккумуляторов должна осуществляться с соблюдением местных, национальных и международных предписаний и положений.



РУС

Эти аккумуляторы могут перевозиться по улице потребителем без дальнейших обязательств.

При коммерческой транспортировке литий-ионных аккумуляторов экспедиторскими компаниями действуют положения, касающиеся транспортировки опасных грузов. Подготовка к отправке и транспортировка должны производиться исключительно специально обученными лицами. Весь процесс должен находиться под контролем специалиста.

При транспортировке аккумуляторов необходимо соблюдать следующие пункты:

Убедитесь, что контакты защищены и изолированы во избежание короткого замыкания. Следите за тем, чтобы аккумуляторный блок не соскользнул внутри упаковки. Транспортировка поврежденных или протекающих аккумуляторов запрещена. За дополнительными указаниями обратитесь к своему экспедитору.

ЗАЩИТА АККУМУЛЯТОРА ОТ ПЕРЕГРУЗКИ

В случае перегрузки аккумулятора по причине слишком большого потребления электроэнергии, при экстремально большом крутящем моменте, внезапной остановке или коротком замыкании, электроприбор вибрирует в течение 5 секунд, загорается индикатор заряда аккумулятора и электроприбор автоматически выключается. ть работу. Для повторного включения следует отжать кнопку включения и потом снова включить.

При слишком высоких нагрузках аккумулятор перегревается. В этом случае загорятся все лампы индикатора заряда аккумулятора. Когда аккумулятор остынет и лампы погаснут – можно продолжать

Чтобы снова зарядить и активировать аккумулятор, подключите его к зарядному устройству.

ДОПОЛНИТЕЛЬНЫЕ СОВЕТЫ ПО ЭКСПЛУАТАЦИИ

Поддерживайте протяжную проволоку во время использования.

Правильное применение показано в разделе с рисунками. Следите за протяжной проволокой во время вытягивания. При приближении к полной длине вы увидите желтую отметку на протяжной проволоке. Как только увидите желтую отметку, прекратите вытягивание. Дальнейшее вытягивание может привести к повреждению или разрыву протяжной проволоки. Прежде чем протягивать провод, обратите внимание на окружение и на возможные находящиеся поблизости источники опасности для себя и других, которые могут возникнуть в том случае, если во время протягивания проволока высвободится.

УКАЗАНИЕ: при блокировке инструмента немедленно отпустите выключатель. При протягивании не прикладывайте усилий, если встретите сопротивление или препятствие. Вместо этого извлеките провод и уберите препятствие.

Чтобы смотать протяжную проволоку, переведите переключатель в положение сматывания и нажмите кнопку запуска. Прекратите сматывание, как только протяжная проволока вернется в исходное положение. Дальнейшее сматывание может привести к повреждению или поломке барабана.

Если инструмент выключается во время подачи, выполните указанные ниже действия.

- Отпустите кнопку запуска.
- Переведите переключатель управления в положение обратного хода.
- Нажмите кнопку запуска и удерживайте ее в течение 3–4 секунд.
- Переведите переключатель управления в положение подачи.
- Нажмите на кнопку запуска и повторите попытку подачи.
- При необходимости повторите указанные выше действия до 5 раз.
- Если инструмент продолжает отключаться во время подачи, необходимо заменить барабан.

Если во время подачи непроводящую ленту начинает затягивать в барабан, выполните указанные ниже действия.

- Отпустите кнопку запуска.
- Переведите переключатель управления в положение обратного хода.
- Крепко возьмитесь за ленту снаружи, сразу на выходе из барабана.
- Нажмите на кнопку запуска, одновременно натягивая ленту другой рукой, когда лента втягивается обратно в барабан.
- Отпустите кнопку запуска.
- Переведите переключатель управления в положение подачи.
- Нажмите на кнопку запуска и повторите попытку подачи.
- При необходимости повторите указанные выше действия до 5 раз.
- Если инструмент продолжает выполнять обратный ход во время подачи, необходимо заменить барабан.

ОБСЛУЖИВАНИЕ

Выньте аккумулятор из машины перед проведением с ней каких-либо манипуляций.

Вынутую спираль протереть тряпкой и снова вставить в барабан.

Перед хранением устройства для очистки труб полностью вынуть спираль. Почистить спираль и смотать ее плотно. Пользуйтесь аксессуарами и запасными частями Milwaukee. В случае возникновения необходимости в замене, которая не была описана, обращайтесь в один из сервисных центров по обслуживанию электроинструментов Milwaukee (см. список сервисных организаций).

При необходимости может быть заказан чертеж инструмента с трехмерным изображением деталей. Пожалуйста, укажите номер и тип инструмента и закажите чертеж у Ваших местных агентов или непосредственно у Techtronic Industries GmbH, Max-Eyth-Straße 10, 71364 Winnenden, Germany.

ДЕКЛАРАЦИЯ О СООТВЕТСТВИИ СТАНДАРТАМ ЕС

Мы несем исключительную ответственность за то, что изделие, описанное в разделе «Техническая информация» соответствует всем применимым положениям директив:

2011/65/EU (RoHS)

2006/42/EC

2014/30/EU

а также следующим согласованным стандартам

EN 62841-1:2015+AC:2015

EN 55014-1:2017+A11:2020

EN 55014-2:2015

EN IEC 63000:2018



Winnenden, 2020-09-21

Alexander Krug / Managing Director

Уполномочен на составление технической документации.

Techtronic Industries GmbH

Max-Eyth-Straße 10, 71364 Winnenden, Germany

СИМВОЛЫ



ВНИМАНИЕ! ПРЕДУПРЕЖДЕНИЕ! ОПАСНОСТИ!



Пожалуйста, внимательно прочтите инструкцию по использованию перед началом любых операций с инструментом.



При работе с инструментом всегда надевайте защитные очки.



Надевать защитные перчатки!



Не используйте на цепях под напряжением или рядом с ними



Не используйте, стоя на лестнице



Выньте аккумулятор из машины перед проведением с ней каких-либо манипуляций.



Принадлежности - В стандартную комплектацию не входит, поставляется в качестве дополнительной принадлежности.



Электроприборы, батареи/аккумуляторы запрещено утилизировать вместе с бытовым мусором.

Электрические приборы и аккумуляторы следует собирать отдельно и сдавать в специализированную компанию для утилизации в соответствии с нормами охраны окружающей среды. Получите в местных органах власти или у вашего специализированного дилера сведения о центрах вторичной переработки и пунктах сбора.

n₀ Число оборотов без нагрузки

V Напряжение

Постоянный ток



Европейский знак соответствия



Британский знак соответствия



Украинский знак соответствия



Евроазиатский знак соответствия



ТЕХНИЧЕСКИ ДАННИ	M18 FPFT	
Рейка за изтегляне на кабели		
Производствен номер	4749 40 01... ... 000001-999999	
Напрежение на акумулатора	18 V	
Обороти на празен ход	0 - 37 min ⁻¹	
Дължина на стоманеното въже	37 m	73 m
Ширина на стоманеното въже	3 mm	
Тегло съгласно процедурата ЕРТА 01/2014 (Li-Ion 2,0 Ah...12,0 Ah)	7,13...8,19 kg	8,43...9,49 kg
Дължина на електронепроводимия кабел	30 m	
Тегло съгласно процедурата ЕРТА 01/2014 (Li-Ion 2,0 Ah...12,0 Ah) (Електронепроводим)	6,43...7,49 kg	7,03...8,09 kg
Препоръчителна температура на околната среда при експлоатация	-18°C ... +50°C	
Препоръчителни акумулаторни батерии	M18...	
Препоръчителни зарядни устройства	M12-18...	
Информация за шума		
Измерените стойности са получени съобразно EN 62841. Оцененото с А ниво на шума на уреда е съответно:		
Равнище на звуковото налягане (Несигурност K=3dB(A))	71,45 dB (A)	
Равнище на мощността на звука (Несигурност K=3dB(A))	82,45 dB (A)	
Да се носи предпазно средство за слуха!		
Информация за вибрациите		
Общите стойности на вибрациите (векторна сума на три посоки) са определени в съответствие с EN 62841.		
Стойност на емисии на вибрациите a _h	0,64 m/s ²	
Несигурност K=	1,5 m/s ²	



БЪЛ

ВНИМАНИЕ

Посочените в настоящия информационен лист нива на вибрации и шумови емисии са измерени в съответствие със стандартизирано изпитване, предоставено в EN 62841, и могат да се използват за сравняване на един инструмент с друг. Те може също така да се използват и за предварителна оценка на излагането на вредни въздействия.

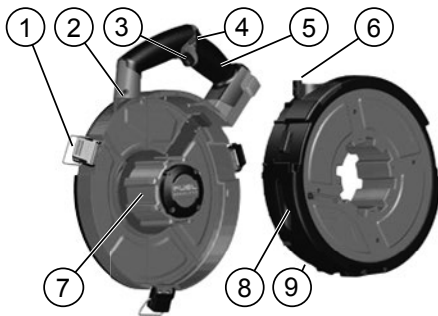
Декларираните нива на вибрации и шумови емисии се отнасят за основните приложения на инструмента. Ако обаче инструментът се използва за други приложения, с други приспособления или не се поддържа добре, нивата на вибрации и шумови емисии могат да са различни. Това може значително да повиши нивото на излагане на вредни въздействия за общата продължителност на работата.

При оценка на нивото на излагане на въздействието на вибрации и шум следва също така да се вземе предвид времето, през което инструментът е изключен или през което е включен, но не се използва. Това може значително да понижи нивото на излагане на вредни въздействия за общата продължителност на работата.

Определете допълнителни мерки за безопасност за защита на оператора от въздействието на вибрациите и/или шума, като например поддръжка на инструмента и приспособленията, поддържането на топлината на ръцете и организацията на работата.

Носете средство за защита на слуха. Шумът може да доведе до загуба на слуха.

⚠ ВНИМАНИЕ! Прочетете всички указания за безопасност, инструкции, изображения и техническите данни, които получавате с уреда. Ако не спазвате следните указания, това може да доведе до токов удар, пожар и/или тежки наранявания. **Запазете всички указания и инструкции за безопасност за бъдещето.**



Описание на устройството

- ① Закопчалки
- ② Бразда на дюзата
- ③ Спусък
- ④ Контролен ключ
- ⑤ Ръкохватка
- ⑥ Дюза
- ⑦ Главина
- ⑧ Ръкохватки на барабана
- ⑨ Барабан

⚠ ПРЕДУПРЕЖДЕНИЯ ЗА БЕЗОПАСНА РАБОТА Ч РЕЙКАТА ЗА ИЗТЕГЛЯНЕ НА КАБЕЛИ

Не използвайте върху, нито близо до проводници под напрежение. Бъдете изключително внимателни, когато работите в близост до електрическо оборудване. Когато издърпвате кабел през канал, през който са прокарани и други кабели, се уверете, че подаването на електричество към тях е прекъснато или че са изключени.

Докато изтегляте кабел, трябва да сте стъпили здраво и да пазите равновесие. Не изтегляйте кабел, докато стоите върху стълба. Ако кабелът се запъне или съпротивлява, стълбата може да се разклати и да загубите равновесие или контрол.

Винаги проявявайте здрав разум и бъдете внимателни, когато използвате инструменти. Невъзможно е да се предвиди всяка ситуация, която може да доведе до опасни последици. Не използвайте този инструмент, ако не разбирате настоящите указания за експлоатация или Ви се струва, че задачата е отвъд Вашите способности; свържете се с „Инструменти Milwaukee“ или обучен професионалист за допълнителна информация и обучение.

ВНИМАНИЕ! Някои видове прах, отделящи се при използването на електрически инструменти за шкурене, рязане, шлифоване и други строителни дейности, съдържат химикали, за които е известно, че причиняват рак, вродени дефекти и други възпроизводствени проблеми. Примерите за такива химикали включват:

- олово от бои на оловна основа,
- кварцов прах от тухли, цимент и други зидарски продукти, както и
- арсеник и хром от обработен с химикали дървен материал.

Рискът за Вас от излагане на въздействието на тези химикали варира в зависимост от честотата на вършене на такъв тип работа.

За да намалите излагането си на въздействието на тези химикали, работете на добре проветрени места, използвайте одобрени средства за защита, като например маски за прах, които са специално проектирани да филтрират микроскопични частици.

Не сваляйте етикетите и типите табелки. Тези табелки съдържат важна информация. Ако указателните табелки вече не са четливи или липсват, свържете се с клиентския сервиз на MILWAUKEE, за да получите безплатни резервни табелки.

ДОПЪЛНИТЕЛНИ УКАЗАНИЯ ЗА РАБОТА И БЕЗОПАСНОСТ

Да се използват предпазни средства. При работа с машината винаги носете предпазни очила. Препоръчват се защитно облекло и прахозащитна маска, защитни ръкавици, здрави и нехлъзгащи се обувки, каска и предпазни средства за слуха. Прахът, който се образува при работа, често е вреден за здравето и не бива да попада в тялото. Да се носи подходяща прахозащитна маска.

Не е разрешена обработката на материали, които представляват опасност за здравето (напр. азбест).

Ако използваният инструмент блокира, изключете веднага уреда! Не включвайте уреда отново, докато използваният инструмент е блокиран; това би могло да доведе до откат с висока реактивна сила. Открийте и отстранете причината за блокирането на използвания инструмент имайки в предвид инструкциите за безопасност.

Преди започване на каквито и да е работи по машината извадете акумулатора.

Не изхвърляйте изхабените акумулатори в огъня или в при битовите отпадъци. Milwaukee предлага екологосъобразно събиране на старите акумулатори; моля попитайте Вашия специализиран търговец.

Не съхранявайте акумулаторите заедно с метални предмети (опасност от късо съединение).

При екстремно натоварване или екстремна температура от повредени акумулатори може да изтече батерийна течност. При допир става течност веднага измийте с вода и сапун. При контакт с очите веднага изплаквайте старателно най-малко 10 минути и незабавно потърсете лекар.

За да избегнете опасността от пожар, предизвикана от късо съединение, както и нараняванията и повредите на продукта, не поталяйте инструмента, сменяемата акумулаторна батерия или зарядното устройство в течности и се погрижете в уредите и акумулаторните батерии да не попадат течности. Течностите, предизвикващи корозия или провеждащи електричество, като солена вода, определени химикали, изобелващи вещества или продукти, съдържащи изобелващи вещества, могат да предизвикат късо съединение.

Акумулатори от системата M18 да се зареждат само със зарядни устройства от системата M18 laden. Да не се зареждат акумулатори от други системи.

Не отваряйте акумулатори и зарядни устройства и ги съхранявайте само в сухи помещения. Пазете ги от влага.

ИЗПОЛЗВАНЕ ПО ПРЕДНАЗНАЧЕНИЕ

Рейката за изтегляне на кабели е идеална за прокарване на проводници през стени и тръби за електропроводници.

АКУМУЛАТОРИ

Акумулатори, които не са ползвани по-дълго време, преди употреба да се дозаредят.

Температура над 50°C намалява мощността на акумулатора. Да се избягва по-продължително нагряване на слънце или от отопление.

Поддържайте чисти присъединителните контакти на зарядното устройство и на акумулатора.

За оптимална продължителност на живот след употреба батериите трябва да се заредят напълно.

За възможно по-дълга продължителност на живот батериите трябва да се изваждат от уреда след зареждане.

При съхранение на батериите за повече от 30 дни: съхранявайте батерията при прилб. 27°C и на сухо място. Съхранявайте батерията при 30 до 50 % от заряда. Зареждайте батерията на всеки 6 месеца.

ПРЕВОЗ НА ЛИТИЕВО-ЙОННИ БАТЕРИИ

Литиево-йонните батерии са предмет на законите разпоредби за превоз на опасни товари.

Превозът на тези батерии трябва да се извършва в съответствие с местните, националните и международните разпоредби и регламенти.

Потребителите могат да превозват тези батерии по пътя без допълнителни изисквания.

Превозът на литиево-йонни батерии от транспортни компании е предмет на законите разпоредбите за превоз на опасни товари. Подготовката на превоза и самият превоз трябва да се извършват само от обучени лица. Целият процес трябва да е под професионален надзор.

Спазвайте следните изисквания при превоз на батерии:



Уверете се, че контактите са защитени и изолирани, за да се избегне късо съединение. Уверете се, че няма опасност от разместване на батерията в опаковката. Не превозвайте повредени батерии или такива с течове. Обърнете се към Вашата транспортна компания за допълнителни инструкции.

ЗАЩИТА ОТ ПРЕТОВАРВАНЕ НА БАТЕРИЯТА

При претоварване на батерията вследствие на голямо потребление на енергия, например изключително високи въртящи моменти, , внезапно спиране или късо съединение, електрическият инструмент вибрира в продължение на 5 секунди, мига индикаторът за зареждане и електрическият инструмент се изключва сам.

За да го включите повторно, освободете превключвателя и след това включете уреда.

При екстремни натоварвания батерията се нагрява значително. В този случай всички светлини на индикатора за зареждане мигат дотогава, докато батерията се охлади. След изгасване на индикатора за зареждане можете да продължите работата с уреда.

Тогава акумулаторът да се включи към зарядното устройство, за да се дозареди и активира.

ДОПЪЛНИТЕЛНИ СЪВЕТИ ЗА УПОТРЕБАТА

Придържайте рейката, докато я използвате.

За нормална работа вижте раздела с илюстрациите.

Следете жилото, докато изтегляте. Когато наближите края на жилото, той ще бъде отбелязан с жълта боя. Когато видите отбелязаното с жълта боя място, спрете да изтегляте. В противен случай можете да повредите или счупите рейката за изтегляне на кабели.

Преди да изтеглите кабела, се огледайте добре наоколо за потенциални рискове за себе си и за хората около Вас, в случай че по време на изтегляне жилото се освободи.

УКАЗАНИЕ: Ако инструментът блокира, веднага пуснете превключвателя. Не дърпайте със сила, когато се натъкнете на запъване или съпротивление. Вместо това извадете кабела и отстранете препятствието.

За да навиете обратно жилото, преместете ключа на позицията за навиване и натиснете спусъка. Спрете да навивате, когато жилото се върне в начална позиция. В противен случай можете да повредите или счупите барабана.

Ако инструментът се изключи по време на подаване:

- Освободете пусковия ключ.
- Поставте ключа за управление в положение „Прибиране“.
- Натиснете пусковия ключ и го задръжте 3-4 секунди.
- Поставте ключа за управление в положение „Подаване“.
- Натиснете пусковия ключ и опитайте да подадете отново.
- Ако е необходимо, повторете горните стъпки до 5 пъти.
- Ако инструментът продължава да се изключва по време на подаване, трябва да подмените барабана.

Ако непроводимото въже започне да се прибира в барабана по време на подаване:

- Освободете пусковия ключ.
- Поставте ключа за управление в положение „Прибиране“.
- Хванете лентата точно преди барабана и задръжте здраво.
- Натиснете пусковия ключ, като натискате въжето с другата си ръка, докато въжето се прибира в барабана.
- Освободете пусковия ключ.
- Поставте ключа за управление в положение „Подаване“.

g. Натиснете пусковия ключ и опитайте да подадете отново.

h. Ако е необходимо, повторете горните стъпки до 5 пъти.

i. Ако инструментът продължава да навива въжето по време на подаване, трябва да подмените барабана.

ПОДДРЪЖКА

Преди започване на каквито и да е работи по машината извадете акумулатора.

Избършете освободената спирала с парцал и отново я вкарайте в барабана.

Преди прибиране на инструмента за почистване на тръби, изтеглете спиралата изцяло навън. Почистете спиралата и я навийте свободно.

Да се използват само аксесоари на Milwaukee и резервни части на Milwaukee. Елементи, чиято подмяна не е описана, да се дадат за подмяна в сервис на Milwaukee (вижте брошурата „Гаранция и адреси на сервиси“).

При необходимост можете да поискате за уреда от Вашия сервис или директно от Techtronic Industries GmbH, Max-Eyth-Straße 10, 71364 Winnenden, Germany, чертеж за в случай на експлозия, като посочите типа на машината и номер върху заводската табелка.

СЕ - ДЕКЛАРАЦИЯ ЗА СЪОТВЕТСТВИЕ

Ние декларираме, изцяло на наша отговорност, че продуктът, описан в „Технически данни“, съответства на всички необходими изисквания на директивите:

2011/65/EC (RoHS)

2006/42/EO

2014/30/EC

и че са използвани следните хармонизирани стандарти

EN 62841-1:2015+AC:2015

EN 55014-1:2017+A11:2020

EN 55014-2:2015

EN IEC 63000:2018



Winnenden, 2020-09-21

Alexander Krug / Managing Director

Упълномощен за съставяне на техническата документация

Techtronic Industries GmbH

Max-Eyth-Straße 10, 71364 Winnenden, Germany

СИМВОЛИ



ВНИМАНИЕ! ПРЕДУПРЕЖДЕНИЕ! ОПАСНОСТ



Преди пускане на уреда в действие моля прочетете внимателно инструкцията за използване.



При работа с машината винаги носете предпазни очила.



Да се носят предпазни ръкавици!



Не използвайте върху, нито близо до проводници под напрежение.



Не използвайте, докато стоите върху стълба.



Преди започване на каквито е да работи по машината извадете акумулатора.



Акcesoари - Не се съдържат в обема на доставката, препоръчвано допълнение от програмата за акcesoари.



Електрическите уреди, батерии/акумулаторни батерии не трябва да се изхвърлят заедно с битовите отпадъци. Електрическите уреди и акумулаторни батерии трябва да се събират отделно и да се предават на службите за рециклиране на отпадъците според изискванията за опазване на околната среда. Информирайте се при местните служби или при местните специализирани търговци относно местата за събиране и центровете за рециклиране на отпадъци.

n_0 Обороти на празен ход

V Напрежение



Постоянен ток



Европейски знак за съответствие



Британски знак за съответствие



Украински знак за съответствие



Евро-азиатски знак за съответствие



DATE TEHNICE	M18 FPFT	
Cablu de agățare		
Număr producție	4749 40 01... ... 000001-999999	
Tensiune acumulator	18 V	
Viteza de mers în gol	0 - 37 min ⁻¹	
Lungime cablu de agățare din oțel pe tambur	37 m	73 m
Lațime cablu de agățare din oțel pe tambur	3 mm	
Greutatea conform „EPTA procedure 01/2014” (Li-Ion 2,0 Ah...12,0 Ah)	7,13...8,19 kg	8,43...9,49 kg
Lungime cablu neconductibil pe tambur	30 m	61 m
Greutatea conform „EPTA procedure 01/2014” (Li-Ion 2,0 Ah...12,0 Ah) (Neconductibil)	6,43...7,49 kg	7,03...8,09 kg
Temperatură ambientală recomandată pentru funcționare	-18°C ... +50°C	
Seturi de baterii recomandate	M18...	
Încărcător de baterii recomandat	M12-18...	
Informație privind zgomotul		
Valori măsurate determinate conform EN 62841. Nivelul de zgomot evaluat cu A al aparatului este tipic de:		
Nivelul presiunii sonore (Nesiguranță K=3dB(A))	71,45 dB (A)	
Nivelul sunetului (Nesiguranță K=3dB(A))	82,45 dB (A)	
Purtați căști de protecție		
Informații privind vibrațiile		
Valoarea totală de oscilație (suma vectorială pe trei direcții) determinate conform normei EN 62841.		
Valoarea emisiei de oscilații a _n	0,64 m/s ²	
Nesiguranță K=	1,5 m/s ²	



AVERTISMENT

Nivelul vibrației și emisiei de zgomot indicat în această fișă informativă a fost măsurat în conformitate cu o metodă standard de testare specificată în EN 62841 și se poate utiliza pentru a compara dispozitivele între ele. Acesta se poate utiliza și într-o evaluare preliminară a expunerii.

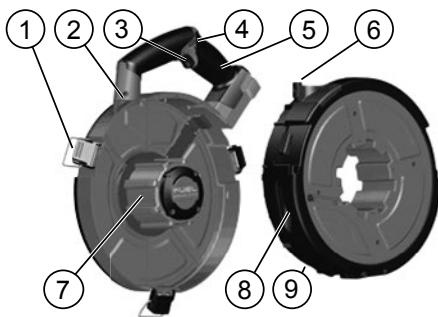
Nivelul declarat al vibrației și emisiei sonore reprezintă principalele aplicații ale dispozitivului. Cu toate acestea, dacă dispozitivul este utilizat pentru aplicații diferite, cu accesorii diferite sau întreținute necorespunzător, emisia de vibrații și zgomote poate diferi. Acest lucru poate crește semnificativ nivelul expunerii pe întreaga perioadă de lucru.

O estimare a nivelului de expunere la vibrații și zgomot ar trebui să țină cont și de momentele în care dispozitivul este oprit sau când funcționează, dar nu realizează de fapt nicio lucrare. Acest lucru poate reduce semnificativ nivelul expunerii pe întreaga perioadă de lucru.

Identificați măsuri de siguranță suplimentare pentru a proteja operatorul de efectele vibrațiilor și/sau zgomotului, cum ar fi: întreținerea dispozitivului și a accesoriilor, menținerea caldă a mâinilor, organizarea modelelor de lucru.

Purtați aparatoare de urechi. Expunerea la zgomot poate duce la pierderea auzului.

⚠ AVERTISMENT! Citiți toate instrucțiunile de siguranță, recomandările, reprezentările grafice și datele pe care le primiți livrate împreună cu aparatul. În cazul în care nu veți respecta următoarele instrucțiuni, se poate ajunge la electrocutare, incendii și/sau răni grave. **Păstrați toate indicațiile de avertizare și instrucțiunile în vederea utilizărilor viitoare.**



Descrierea dispozitivului

- ① Eclise
- ② Adâncitură pentru fixarea duzei
- ③ Declanșator
- ④ Comutator de control
- ⑤ Mâner
- ⑥ Duză
- ⑦ Butuc
- ⑧ Prinderi pe tambur
- ⑨ Tambur

⚠️ AVERTISMENTE DE SIGURANȚĂ PENTRU CABLUL DE AGĂȚARE

A nu se utiliza pe sau lângă circuite sub tensiune Când lucrați în apropierea echipamentelor electrice, fiți extrem de precauți. Când trageți printr-un tub care conține orice alte fire, asigurați-vă că alimentarea cu curent a firelor a fost oprită sau deconectată.

Stabilizați-vă bine pe picioare și mențineți un echilibru corespunzător atunci când efectuați operații de tragere.

Nu trageți de pe o scară. Dacă întâmpinați un blocaj sau o rezistență, o scară poate deveni instabilă, ceea ce poate duce la pierderea echilibrului sau a controlului.

Bazați-vă întotdeauna pe simțul practic și fiți precauți la utilizarea dispozitivelor. Nu este posibilă anticiparea fiecărei situații care poate avea un rezultat periculos. Nu utilizați acest dispozitiv dacă nu înțelegeți aceste instrucțiuni de operare sau dacă simțiți că lucrarea vă depășește aptitudinea; contactați Milwaukee Tool sau un profesionist instruit pentru informații suplimentare sau instruire.

AVERTISMENT! Unele pulberi generate prin abraziune, tăiere, șlefuire, găurire și alte activități de construcție conțin substanțe chimice cunoscute ca provocând cancer, defecte congenitale sau alte daune asupra reproducției. Câteva exemple de astfel de substanțe chimice sunt:

- plumbul din vopseala pe bază de plumb
- cristalele de siliciu din cărămizi și ciment și din alte produse din zidărie și
- arsenicul și cromul din cherestea tratată chimic.

Riscul cauzat asupra dvs. de aceste expuneri variază în funcție de cât de des faceți acest tip de activitate.

Pentru a vă reduce expunerea la aceste substanțe chimice: lucrați într-o zonă bine ventilată și lucrați cu echipamente de siguranță aprobate, cum ar fi măștile de praf special concepute pentru a filtra particulele microscopice.

Nu înlăturați etichetele și plăcuțele de fabricație. Aceste plăcuțe conțin informații importante. Dacă aceste plăcuțe indicatoare devin ilizibile sau dacă lipsesc, adresați-vă serviciului pentru clienți MILWAUKEE pentru a le înlocui gratuit.

INSTRUCȚIUNI SUPLIMENTARE DE SIGURANȚĂ ȘI DE LUCRU

Folosiți echipament de protecție. Purtați întotdeauna ochelari de protecție când lucrați cu mașina. Se recomandă utilizarea hainelor de protecție ca de ex. Măști contra prafului, mănuși de protecție, încălțăminte stabilă nealunecoasă, cască și aparatoare de urechi.

Praful care apare când se lucrează cu această sculă poate fi dăunător sănătății și prin urmare nu trebuie să atingă corpul.

Purtați o mască de protecție corespunzătoare împotriva prafului.

Nu se admite prelucrarea unui material care poate pune în pericol sănătatea operatorului (de exemplu azbestul).

La blocarea sculei demontabile vă rugăm să deconectați imediat aparatul! Nu conectați aparatul atâta timp cât scula demontabilă este blocată; dacă o faceți, s-ar putea să se producă un recul cu un cuplu mare de reacție. Găsiți și remediati cauza de blocare a sculei demontabile respectând indicațiile pentru siguranță.

Îndepărtați acumulatorul înainte de începerea lucrului pe mașina Nu aruncați acumulatorii uzați la containerul de reziduri menajere și nu îi ardeți. Milwaukee Distributors se oferă să recupereze acumulatorii vechi pentru protecția mediului înconjurător.

Nu depozitați acumulatorul împreună cu obiecte metalice (riscul de scurtcircuit)

Acidul se poate scurge din acumulatorii deteriorați la încălziri sau temperaturi extreme. În caz de contact cu acidul din acumulator, spălați imediat cu apă și săpun. În caz de contact cu ochii, clătiți cu atenție timp de cel puțin 10 minute și apelați imediat la îngrijire medicală.

Pentru a reduce pericolul unui incendiu și evitarea rănilor sau deteriorarea produsului în urma unui scurtcircuit nu imersați scula, acumulatorul de schimb sau încărcătorul în lichide și asigurați-vă să nu pătrundă lichide în aparate și acumulatori. Lichidele corosive sau cu conductibilitate, precum apa sărată, anumite substanțe chimice și înalbitori sau produse ce conțin înalbitori, pot provoca un scurtcircuit.

Folosiți numai încărcătoare System M18 pentru încărcarea acumulatorilor System M18. Nu folosiți acumulatori din alte sisteme.

Nu deschideți niciodată acumulatorii și încărcătoarele și pastrați-le numai în încăperi uscate. Pastrați-le întotdeauna uscate.

CONDIȚII DE UTILIZARE SPECIFICE

Cablul de agățare este instrumentul ideal care poate fi utilizat pentru a poza cablurile prin pereți și tuburi pentru linii electrice.

ACUMULATORI

Acumulatorii care nu au fost utilizați o perioadă de timp trebuie reîncărcați înainte de utilizare

Temperatura mai mare de 50°C (122°F) reduce performanța acumulatorului. Evitați expunerea prelungită la căldură sau radiație solară (riscul de supraîncălzire)

Contactele încărcătoarelor și acumulatorilor trebuie păstrate curate.

În scopul optimizării duratei de funcționare, bateriile trebuie reîncărcate complet după utilizare.

Pentru o durată de viață cât mai lungă, acumulatorii ar trebui scoși din încărcător după încărcare.

La depozitarea acumulatorilor mai mult de 30 zile: Acumulatorii se depozitează la ca. 27°C și la loc uscat. Acumulatorii se depozitează la nivelul de încărcare de ca. 30%-50%. Acumulatorii se încarcă din nou la fiecare 6 luni.

TRANSPORTUL ACUMULATORILOR CU IONI DE LITIU

Acumulatorii cu ioni de litiu cad sub incidența prescripțiilor legale pentru transportul de mărfuri periculoase.

Transportul acestor acumulatori trebuie să se efectueze cu respectarea prescripțiilor și reglementărilor pe plan local, național și internațional.

Consumatorilor le este permis transportul rutier nerestricționat al acestui tip de acumulatori.

Transportul comercial al acumulatorilor cu ioni de litiu prin intermediul firmelor de expediție și transport este supus reglementărilor transportului de mărfuri periculoase. Pregătirile pentru expediție și transportul au voie să fie efectuate numai de către personal instruit corespunzător. Întregul proces trebuie asistat în mod competent.

Următoarele puncte trebuie avute în vedere la transportul acumulatorilor:

Pentru a se evita scurtcircuite, asigurați-vă de faptul că sunt protejate și izolate contactele. Aveți grijă ca pachetul de acumulatori să nu poată aluneca în altă poziție în interiorul ambalajului său. Este interzis transportarea unor acumulatori deteriorați sau care pierd lichid. Pentru indicații suplimentare adresați-vă firmei de expediție și transport cu care colaborați.



PROTECȚIE SUPRAÎNCĂRCARE ACUMULATOR

În cazul unei suprasolicități a acumulatorului datorită unui consum excesiv de curent electric, de ex. datorită unor momente de turație extrem de înalte, a unei opriri subite sau a unui scurt circuit, scula electrică trepidează timp de 5 secunde, indicația stării de încărcare pâlpâie și scula electrică se deconectează de la sine. Pentru reconectare dați drumul întrerupătorului și conectați din nou.

În cazul unor sarcini extreme, acumulatorul se încinge prea tare. În acest caz toate lămpile indicației stării de încărcare pâlpâie până când acumulatorul s-a răcit. După ce indicația stării de încărcare s-a stins se poate lucra mai departe.

Pentru a-l reîncărcă și activa, puneți acumulatorul în în aparatul de încărcare.

INDICAȚII SUPLIMENTARE ÎN VEDEREA UTILIZĂRII

Susțineți cablul de agățare în timpul utilizării.

Pentru operarea normală, consultați secțiunea ilustrativă.

În timpul extinderii, monitorizați cablul de agățare. În apropierea extinderii complete, cablul de agățare este marcat cu vopsea galbenă. Opriiți extinderea imediat ce vedeți vopseaua galbenă. Continuarea extinderii poate provoca deteriorarea sau ruperea cablului de agățare.

Înainte de a trage sârma, fiți atenți la împrejurimile dvs. și la potențialele pericole din apropiere pentru dvs. și pentru alții în cazul în care cablul va scăpa în timpul tragerii.

INDICAȚIE: Dacă scula se blochează, eliberați imediat comutatorul. Nu forțați o tragere care a întâmpinat un blocaj sau un punct de rezistență. În schimb, îndepărtați firul și înlăturați blocajul.

Retrageți cablul de agățare, mutați comutatorul de control în poziția de retragere și acționați declanșatorul. Opriiți retragerea imediat ce cablul de agățare a revenit la poziția de pornire. Continuarea retragerii poate provoca deteriorarea sau ruperea tamburului.

Dacă dispozitivul se oprește în timpul Alimentării:

- Eliberați declanșatorul.
- Apăsați comutatorul de control în poziția de Retragere.
- Trageți declanșatorul timp de 3-4 secunde.
- Apăsați comutatorul de control în poziția de Alimentare.
- Trageți declanșatorul și încercați din nou să alimentați.
- Repetăți pașii de mai sus de până la 5 ori, dacă este necesar.
- Dacă dispozitivul continuă să se oprească în timpul Alimentării, tamburul trebuie înlocuit.

Dacă banda non-conductivă începe retragerea în tambur în timpul Alimentării:

- Eliberați declanșatorul.
- Apăsați comutatorul de control în poziția de Retragere.
- Prindeți banda doar din afara tamburului, printr-o apucare fermă cu mâna.
- Trageți declanșatorul în timp ce aplicați tensiune asupra benzii cu cealaltă mână, pe măsură ce banda se retrage înapoi în tambur.
- Eliberați declanșatorul.
- Apăsați comutatorul de control în poziția de Alimentare.
- Trageți declanșatorul și încercați din nou să alimentați.
- Repetăți pașii de mai sus de până la 5 ori, dacă este necesar.
- Dacă dispozitivul continuă să se retragă în timpul Alimentării, tamburul trebuie înlocuit.

ÎNȚEȚINERE

Îndepărtați acumulatorul înainte de începerea lucrului pe mașina Ștergeți spirala expusă cu o lavetă și introduceți-o la loc în tambur. Înainte de a depozita dispozitivul de curățat țevi, scoateți spirala complet în afară. Curățați spirala și înfășurați-o fără să o tensionați. Utilizați numai accesorii și piese de schimb Milwaukee. Dacă unele din componentele care nu au fost descrise trebuie înlocuite, vă rugăm contactați unul din agenții de service Milwaukee (vezi lista noastră pentru service / garanți

Dacă este necesară, se poate comanda o imagine descompusă a sculei. Vă rugăm menționați numărul art. Precum și tipul mașinii tipărit pe etichetă și comandați desenul la agenții de service locali sau direct la Techtronic Industries GmbH, Max-Eyth-Straße 10, 71364 Winnenden, Germany.

DECLARAȚIE DE CONFORMITATE

Declarăm pe propria răspundere că produsul descris în capitolul „Date tehnice” îndeplinește toate cerințele relevante ale directivelor:

2011/65/UE (RoHS)

2006/42/CE

2014/30/UE

și au fost utilizate următoarele standarde armonizate

EN 62841-1:2015+AC:2015

EN 55014-1:2017+A11:2020

EN 55014-2:2015

EN IEC 63000:2018



Winnenden, 2020-09-21

Alexander Krug / Managing Director
Împuternicit să elaboreze documentația tehnică.
Techtronic Industries GmbH
Max-Eyth-Straße 10, 71364 Winnenden, Germany

SIMBOLURI



PERICOL! AVERTIZARE! ATENȚIE!



Va rugăm citiți cu atenție instrucțiunile înainte de pornirea mașinii



Purtați întotdeauna ochelari de protecție când utilizați mașina.



Purtați mănuși de protecție!



A nu se utiliza pe sau lângă circuite sub tensiune



A nu se utiliza stând pe scară



Îndepărtați acumulatorul înainte de începerea lucrului pe mașina



Accesoriu - Nu este inclus în echipamentul standard, disponibil ca accesoriu



Aparatele electrice, bateriile/acumulatorii nu se elimină împreună cu deșeurile menajere. Aparatele electrice și acumulatorii se colectează separat și se predau la un centru de reciclare, în vederea eliminării ecologice. Informați-vă de la autoritățile locale sau de la comerțianții acreditați în legătură cu centrele de reciclare și de colectare.

n₀ Viteza de mers în gol

V Tensiune

— Curent continuu



Marcă de conformitate europeană



Marcă de conformitate britanică



Marcă de conformitate ucraineană



Marcă de conformitate eurasiatică



ТЕХНИЧКИ ПОДАТОЦИ Уред за влечење кабли	M18 FPFT	
Производен број	4749 40 01... ... 000001-999999	
Волтажа на батеријата	18 V	
Брзина без оптоварување	0 - 37 min ⁻¹	
Должина на челична лента на уред за влечење кабли	37 m	73 m
Ширина на челична лента на уред за влечење кабли	3 mm	
Тежина според ЕПТА-процедурата 01/2014 (Li-Ion 2,0 Ah...12,0 Ah)	7,13...8,19 kg	8,43...9,49 kg
Должина на неспроводлива лента	30 m	
Тежина според ЕПТА-процедурата 01/2014 (Li-Ion 2,0 Ah...12,0 Ah) (Неспроводно)	6,43...7,49 kg	7,03...8,09 kg
Препорачана температура на околината за работа	-18°C... +50°C	
Препорачани комплекти акумулаторски батерии	M18...	
Препорачани полначи	M12-18...	
Информации за бучавата Измерените вредности се одредени согласно стандардот EN 62841. А-оценетото ниво на бучава на апаратот типично изнесува: Ниво на звучен притисок. (Несигурност K=3dB(A)) Ниво на јачина на звук. (Несигурност K=3dB(A)) Носете штитник за уши.	71,45 dB (A) 82,45 dB (A)	
Информации за вибрации Вкупни вибрациски вредности (векторски збир на трите насоки) пресметани согласно EN 62841. Вибрациска емисиона вредност a _h Несигурност K	0,64 m/s ² 1,5 m/s ²	



ПРЕДУПРЕДУВАЊЕ

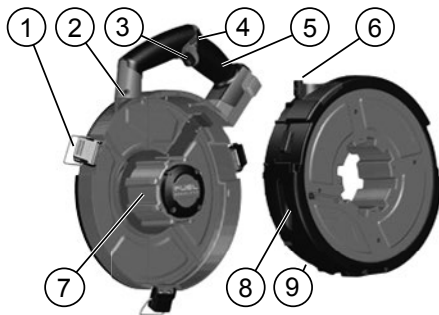
Нивото на вибрации и емисија на бучава дадени во овој информативен лист се измерени во согласност со стандардизиран метод на тестирање даден во EN 62841 и може да се користат за споредување на еден електричен алат со друг. Тие исто така може да се користат при привична проценка на изложеност.

Наведеното ниво на вибрации и емисија на бучава ја претставува главната примена на алатот. Сепак ако алатот се користи за поинакви примени, со поинаков прибор или лошо се одржува, вибрациите и емисијата на бучава може да се разликуваат. Тоа може значително да го зголеми нивото на изложеност преку целиот работен период.

Проценка на нивото на изложеност на вибрации и бучава треба исто така да се земе предвид кога е исклучен алатот или кога е вклучен, но не врши никаква работа. Тоа може значително да го намали нивото на изложеност преку целиот работен период.

Утврдете дополнителни безбедносни мерки за да се заштити операторот од ефектите на вибрациите и/или бучавата како на пр.: одржувајте го алатот и приборот, рацете нека ви бидат топли, организација на работните шеми.
Носете штитник за уши. Влијанието на бука може да предизвика губење на сетилото за слух.

⚠ ПРЕДУПРЕДУВАЊЕ! Прочитајте ги сите безбедносни напомени, упатства, цртежи и податоци, коишто ги добивате заедно со уредот. Доколку не ги почитувате следните упатства, може да дојде до електричен удар, до пожар и/или до тешки повреди. **Сочувајте ги сите безбедносни упатства и инструкции за во иднина.**



Опис на уредот

- ① Шарки
- ② Жлеб на млазница
- ③ Активатор (окидач)
- ④ Контролен прекинувач
- ⑤ Рачка
- ⑥ Млазница
- ⑦ Осовина
- ⑧ Дршки на барабан
- ⑨ Барабан

▲ БЕЗБЕДНОСНИ ПРЕДУПРЕДУВАЊА ЗА УРЕДОТ ЗА ВЛЕЧЕЊЕ КАБЛИ

Не користете на или во близина на струјни кола под напон Бидете особено претпазливи кога работите во близина на електрична опрема. Кога протнувате низ канал што содржи други жици, уверете се дека е исклучено или прекинато напојувањето до тие жици.

Одржувајте стабилна основа и рамнотежа кога вршите повлекување. Не повлекувајте од скала. Ако најдете на тешкотија или отпор, скалата може да стане нестабилна, а тоа може да доведе до губење на рамнотежата или контролата.

Секогаш постапувајте со здрав разум и бидете внимателни кога користите алати. Не е возможно да се предвиди секоја ситуација која може да доведе до опасен исход. Немојте да го користите алатот ако не ги разбирате упатствата за работа или ако мислите дека не сте способни да ја вршите работата; за дополнителни информации или обука, контактирајте со Milwaukee Tool или обучен професионалец.

ПРЕДУПРЕДУВАЊЕ! Некои прашинаки настанати со електрично шмирглање, сечење, брусење, дупчење и други градежни активности содржат хемикалии коишто предизвикуваат рак, вродени дефекти или други репродуктивни нарушувања. Некои примери за вакви хемикалии се:

- олово од боја на база на олово
- кристален силикат од цигли и цемент и други сидарски производи и
- арсеник и хром од хемиски третирана дрвена граѓа.

Ризикот од овие изложувања варира во зависност од тоа колку често го вршите овој тип работа.

За да ја намалите изложеноста на овие хемикалии: работете во добро проветрено место и работете со одобрена заштитна опрема како на пример маски за прашина коишто се специјално наменети за филтрирање на микроскопски честички.

Немојте да ги отстранувате етикетите и плочките со упатства. Овие плочки содржат важни информации. Ако плочките повеќе не се читливи или недостигаат, обратете се до сервисната служба на MILWAUKEE, за да добиете замена на истите.

ОСТАНАТИ БЕЗБЕДНОСНИ И РАБОТНИ УПАТСТВА

Употребувајте заштитна опрема. При работа со машината постојано носете заштитни очила. Се препорачува заштитна облека како: маска за заштита од прашина, заштитни ракавици, цврсти чевли што не се лизгаат, кацига и заштита за уши.

Пршината која се создава при користење на овој алат може да биде штетна по здравјето. Не ја вдишувајте. Носете соодветна заштитна маска.

Не смеат да бидат обработувани материјали кои што можат да го заргозат здравјето (на пр. азбест).

Доколку употребуваното орудие се блокира, молиме веднаш да се исклучи апаратот! Не го вклучувајте апаратот повторно додека употребуваното орудие е блокирано; притоа би можело да дојде до повратен удар со висок момент на реакција. Испитајте и отстранете ја причината за блокирањето на употребеното орудие имајќи ги во предвид напомените за безбедност.

Извадете го батерискиот склоп пред отпочнување на каков и да е зафат врз машината.

Не ги оставајте користените батерии во домашниот отпад и не горете ги. Дистрибутерите на Милвоки ги собираат старите батерии, со што ја штитат нашата околина.

Не ги чувајте батериите заедно со метални предмети (ризик од краток спој).

Киселината од оштетените батериите може да истече при екстреман напон или температури. Доколку дојдете во контакт со исатата, измијте се веднаш со сапун и вода. Во случај на контакт со очите планете ги убаво најмалку 10 минути и задолжително одете на лекар.

За да избегнете опасноста од пожар, од наранувања или од оштетување на производот, коишто ги создава краток спој, не ја потопувајте во течност алатката, заменливата батерија или полначот и пазете во уредите и во батериите да не проникнуваат течности. Корозивни или електроспроводливи течности, како солена вода, одредени хемикалии, избелувачки препарати или производи кои содржат избелувачки супстанции, можат да предизвикаат краток спој.

Користете исклучиво Систем M18 за полнење на батерии од M18 систем. Не користете батерии од друг систем.

Не ги отворајте насилно батериите и полначите, и чувајте ги само на суво место. Чувајте ги постојано суви.

СПЕЦИФИЦИРАНИ УСЛОВИ НА УПОТРЕБА

Уредот за влечење кабли е идеален алат за користење за спроведување на жици преку сидови и електрични канали.

БАТЕРИИ

Батериите кои не биле користени подолго време треба да се наполнат пред употреба.

Температура повисока од 50°C (122°F) го намалуваат траењето на батериите. Избегнувајте подолго изложување на батериите на високи температури или сонце (ризик од прегревање).

Клемите на полначот и батериите мора да бидат чисти.

За оптимален работен век батериите мора да се наполнат целосно по употреба.

За можно подолг век на траење, апаратите после нивното полнење треба да бидат извадени од апаратот за полнење на батериите.

Во случај на складирање на батеријата подолго од 30 дена: Акумулаторот да се чува на температура од приближно 27°C и на суво место. Акумулаторот да се складира на приближно 30%-50% од состојбата на наполнетост. Акумулаторот повторно да се наполни на секои 6 месеци.

ТРАНСПОРТ НА ЛИТИУМ-ЈОНСКИ БАТЕРИИ

Литиум-јонските батерии подлежат на законските одредби за транспорт на опасни материи.

Транспортот на овие батерии мора да се врши согласно локалните, националните и меѓународните прописи и одредби. Потрошувачите на овие батерии може да вршат непречен патен транспорт на истите.

Комерцијалниот транспорт на литиум-јонски батерии од страна на шпедитерски претпријатија подлежат на одредбите за транспорт на опасни материи. Подготовките за шпедиција и транспорт треба да ги вршат исклучиво соодветно обучени лица. Целокупниот процес треба да биде стручно надгледуван. При транспортот на батерии треба да се внимава на следното:



Осигурајте се дека контактите се заштитени и изолирани, а сето тоа со цел да се избегнат кратки споеви. Внимавајте да не дојде до измествување на батериите во нивната амбалажа. Забранет е транспорт на оштетени или протечени литиум-јонски батерији. За понатамошни инструкции обратете се до Вашето шпедитерско претпријатие.

ЗАШТИТА ОД ПРЕОПТЕРЕТУВАЊЕ НА БАТЕРИЈАТА

При преоптеретување на батеријата како резултат на мошне висока потрошувачка на струја, на пример екстремно високи вртежни моменти, ненадејно стопирање или краток спој, електро-алатот вибрира 5 секунди, приказот за полнење трепка и електро-алатот самостојно се исклучува.

За повторно вклучување ослободете го притискачот на прекинувачот, а потоа повторно вклучете.

Во случај на екстремни оптоварувања батеријата се загрева премногу. Во таков случај трепкаат сите ламбички од приказот за полнење се додека батеријата не се излади. По гаснење на приказот за полнење може да се продолжи со работа.

Тогаш ставете ја батеријата во уредот за полнење за повторно да ја напоните и активирате.



Mak

ДОПОЛНИТЕЛНИ СОВЕТИ ЗА УПОТРЕБА

Придржете го уредот за влечење на кабли за време на употреба.

За нормално работење погледнете го делот со слики.

При растегнување, следете го уредот за влечење кабли. Кога се приближувате до целосно растегнување ќе се појави жолта црта на уредот за влечење кабли. Штом ќе стане видлива жолтата црта, запрете со растегнување. Понатамошното растегнување може да го оштети или скрши уредот за влечење кабли.

Пред да ја протнете жицата, земете го предвид опкружувањето и потенцијалните опасности во близина за вас и другите во случај уредот да се скрши за време на влечењето.

УПАТСТВО: Кога алатката ќе се блокира, веднаш да се пушти прекинувачот Не повлекувајте сосила при тешкотија или отпор. Наместо тоа, извадете ја жицата и отстранете ја пречката.

За да го повлечете уредот за влечење кабли, поместете го контролниот прекинувач на позицијата за повлекување и повлечете го прекинувачот. Престанете да повлекувате откако уредот за влечење кабли ќе се врати на почетната позиција. Ако продолжите со повлекување може да го оштетите или скршите барабанот.

Ако алатот се исклучува за време на доставување:

- Отпуштете го прекинувачот.
- Притиснете го контролниот прекинувач на позицијата за повлекување.
- Повлечете го прекинувачот 3-4 секунди.
- Притиснете го контролниот прекинувач на позицијата за доставување.
- Повлечете го прекинувачот и пробајте повторно да доставите.
- Повторете ги горните чекори до 5 пати ако е потребно.
- Ако алатот продолжува да се исклучува за време на доставување, мора да се замени барабанот.

Ако неспроводливата лента почне да се повлекува во барабанот за време на доставување:

- Отпуштете го прекинувачот.
- Притиснете го контролниот прекинувач на позицијата за повлекување.
- Цврсто фатете ја лентата надвор од барабанот.
- Повлечете го прекинувачот затегнувајќи ја лентата со другата рака како што лентата се повлекува назад во барабанот.
- Отпуштете го прекинувачот.
- Притиснете го контролниот прекинувач на позицијата за доставување.
- Повлечете го прекинувачот и пробајте повторно да доставите.
- Повторете ги горните чекори до 5 пати ако е потребно.
- Ако алатот продолжува да се повлекува за време на доставување, мора да се замени барабанот.

ОДРЖУВАЊЕ

Извадете го батерискиот склоп пред отпочнување на каков и да е зафат врз машината.

Спиралата да се избрише со крпа и повторно да вметне во барабанот.

Пред да се складира чистачот на цевки, спиралата целосно да се извади. Спиралата да се исчисти и пополека да се намота.

Користете само Milwaukee додаточи и резервни делови. Доколку некои од компонентите кои не се опишани треба да бидат заменети, Ве молиме контактирајте ги сервисните агенти на Milwaukee (консултирајте ја листата на адреси).

Доколку е потребно можно е да биде набавен детален приказ на алатот. Ве молиме наведете го бројот на артиклот како и типот на машина кој е отпечатен на етикетата и порачајте ја скицата кај локалниот застапник или директно кај: Techtronic Industries GmbH, Max-Eyth-Strasse 10, 71364 Winnenden, Germany.

ЕУ-ДЕКЛАРАЦИЈА ЗА СООБРАЗНОСТ

Под целосна лична одговорност изјавуваме дека производот опишан во „Технички податоци“ е во сообразност со сите релевантни прописи од директивите:

2011/65/EU (RoHS)

2006/42/EC

2014/30/EU

и дека се применети следните хармонизирани стандарди

EN 62841-1:2015+AC:2015

EN 55014-1:2017+A11:2020

EN 55014-2:2015

EN IEC 63000:2018



Winnenden, 2020-09-21

Alexander Krug / Managing Director

Ополномоштен за составување на техничката документација.

Techtronic Industries GmbH

Max-Eyth-Strasse 10, 71364 Winnenden, Germany

СИМБОЛИ



ВНИМАНИЕ! ПРЕДУПРЕДУВАЊЕ! ОПАСНОСТ!



Ве молиме пред да ја стартувате машината обрнете внимание на упатствата за употреба.



Секогаш при користење на машината носете ракавици.



Носете ракавици!



Не користете на или во близина на струјни кола под напон



Не користете додека стоите на скала



Извадете го батерискиот склоп пред отпочнување на каков и да е зафат врз машината.



Дополнителна опрема - Не е вклучена во стандардната, а достапна е како додаток.



Електричните апарати и батериите што се полнат не смеат да се фрлат заедно со домашниот отпад. Електричните апарати и батериите треба да се собираат одделно и да се однесат во соодветниот погон заради нивно фрлање во склад со начелата за заштита на околината. Информирајте се кај Вашите местни служби или кај специјализираниот трговски претставник, каде има такви погони за рециклажа и собирни станици.

n₀ Брзина без оптоварување

V Напон

 Истосмерна струја



Европска ознака за сообразност



Британска ознака за сообразност



Украинска ознака за сообразност



Евроазиска ознака за сообразност



ТЕХНІЧНІ ХАРАКТЕРИСТИКИ	M18 FPFT	
Дріт для протягування		
Номер виробу	4749 40 01... ... 000001-999999	
Напруга знімної акумуляторної батареї	18 V	
Кількість обертів холостого ходу	0 - 37 min ⁻¹	
Довжина сталевго дроту для протягування в барабані	37 m	73 m
Ширина сталевго дроту для протягування в барабані	3 mm	
Вага згідно з процедурою ЕРТА 01/2014 (Li-Ion 2,0 Ah...12,0 Ah)	7,13...8,19 kg	8,43...9,49 kg
Довжина не струмопровідного дроту в барабані	30 m	61 m
Вага згідно з процедурою ЕРТА 01/2014 (Li-Ion 2,0 Ah...12,0 Ah) (Не струмопровідний)	6,43...7,49 kg	7,03...8,09 kg
Температура навколишнього середовища, рекомендована для експлуатації	-18°C... +50°C	
Рекомендовані акумулятори	M18...	
Рекомендовані зарядні пристрої	M12-18...	
Інформація про шум		
Виміряні значення визначені згідно з EN 62841. Рівень шуму „А“ приладу становить в типовому випадку:		
Рівень звукового тиску (похибка К = 3 дБ(А))	71,45 dB (A)	
Рівень звукової потужності (похибка К = 3 дБ(А))	82,45 dB (A)	
Використовувати засоби захисту органів слуху!		
Інформація щодо вібрації		
Сумарні значення вібрації (векторна сума трьох напрямків), встановлені згідно з EN 62841.		
Значення вібрації a _h	0,64 m/s ²	
похибка К =	1,5 m/s ²	



ПОПЕРЕДЖЕННЯ

Заявлені значення шумового випромінювання, вказані в цьому інформаційному аркуші, було виміряно відповідно до стандартизованого випробування згідно з EN 62841 та можуть використовуватися для порівняння одного інструмента з іншим. Вони також можуть використовуватися для попередньої оцінки рівня впливу на організм.

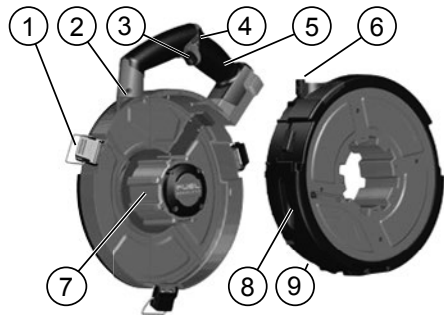
Вказані значення вібрації та шумового випромінювання дійсні для основних областей застосування інструмента. Якщо інструмент використовується в інших областях застосування чи з іншим приладдям або не проходить належне обслуговування, значення вібрації та шумового випромінювання можуть відрізнятись. Це може суттєво збільшити рівень впливу на організм протягом загального періоду роботи.

Під час оцінки рівня впливу вібрації та шумового випромінювання на організм також необхідно враховувати періоди, коли інструмент вимкнено, чи коли він працює, але фактично не використовується для виконання роботи. Це може суттєво знизити рівень впливу на організм протягом загального періоду роботи.

Визначте додаткові заходи для захисту оператора від впливу вібрації та/або шуму, наприклад, обслуговування інструмента та його приладдя, зберігання рук у теплі, організація графіків роботи.

Користуйтеся засобами захисту органів слуху. Вплив шуму може спричинити втрату слуху.

⚠ ПОПЕРЕДЖЕННЯ! Ознайомтеся з усіма вказівками щодо техніки безпеки, інструкціями, ілюстраціями та відомостями, що було надано разом із приладом. Недотримання наведених далі інструкцій може спричинити ураження електричним струмом, пожежу та/або тяжкі травми. **Зберігайте всі вказівки з техніки безпеки та інструкції на майбутнє.**



Опис пристрою

- ① Клямки
- ② Надріз патрубкa
- ③ Пусковий курок
- ④ Перемикач управління
- ⑤ Ручка
- ⑥ Патрубок
- ⑦ Втулка
- ⑧ Ручки барабана
- ⑨ Барабан

⚠ ПОПЕРЕДЖЕННЯ З БЕЗПЕКИ ЩОДО ДРОТУ ДЛЯ ПРОТЯГУВАННЯ

Не використовуйте в ланцюгах під напругою або поруч із ними У разі роботи поблизу електричних пристроїв будьте особливо обережні. Під час протягування через кабелепровід, який містить будь-які інші дроти, переконайтеся в тому, що живлення цих дротів було вимкнено або від'єднано.

Під час протягування впевнено стійте на ногах і зберігайте рівновагу. Не виконуйте протягування з драбини. Якщо ви стикнетесь з перешкодою чи опором, драбина може втратити стійкість, що може призвести до втрати рівноваги або контролю.

Завжди керуйтеся загальними правилами операційної поведінки та будьте обережні під час роботи з інструментами. Неможливо передбачити всі ситуації, які можуть мати небезпечні наслідки. Не використовуйте інструмент, якщо ви не розумієте ці інструкції з експлуатації або якщо ви вважаєте, що ваші здібності недостатні для виконання роботи; зверніться в компанію Milwaukee Tool або до досвідченого спеціаліста для отримання додаткової інформації чи проведення інструктажу.

ПОПЕРЕДЖЕННЯ! Пил, що виникає під час механічного шліфування, пиляння, свердління та інших будівельних робіт, може містити хімічні речовини, які викликають рак, порушення репродуктивної функції та інші розлади репродуктивної системи. Деякі приклади таких хімічних речовин наведено нижче.

- Свинець із фарб, які містять свинець
- Кристалічний діоксид кремнію з цеглин і цементу та інших матеріалів для стінобудування
- Миш'як і хром із хімічно оброблених лісоматеріалів.

Ризик ураження цими хімікатами залежить від частоти виконання робіт цього типу.

Для зменшення ризику ураження цими хімікатами: працюйте у добре вентильованих приміщеннях, використовуйте затверджене захисне спорядження, наприклад респіратори, спеціально призначені для фільтрації мікроскопічних частинок.

Не видалняйте етикетки та фірмові щітки. Вони містять важливу інформацію. Якщо текст на вказівних табличках стає нечитабельним або відсутній, зверніться до служби підтримки MILWAUKEE для безкоштовної заміни табличок.

ДОДАТКОВІ ІНСТРУКЦІ З ТЕХНІКИ БЕЗПЕКИ ТА ЕКСПЛУАТАЦІЇ

Використовуйте індивідуальні засоби захисту. Під час роботи з машиною завжди носити захисні окуляри. Радимо використовувати захисний одяг, як наприклад маску для захисту від пилу, захисні рукавиці, міцне та нековзне взуття, каску та засоби захисту органів слуху.

Пил, що утворюється під час роботи, часто буває шкідливим для здоров'я; він не повинен потрапляти в організм. Носити відповідну маску для захисту від пилу.

Не можна обробляти матеріали, небезпечні для здоров'я (наприклад, азбест).

При блокуванні вставного інструменту негайно вимкнути прилад! Не вмикайте прилад, якщо вставний інструмент заблокований; при цьому може виникати віддача з високим зворотнім моментом. Визначити та усунути причину блокування вставного інструменту з урахуванням вказівок з техніки безпеки.

Перед будь-якими роботами на приладі вийняти змінну акумуляторну батарею.

Відпрацюванні змінні акумуляторні батареї не можна кидати у вогонь або викидати з побутовими відходами. Milwaukee пропонує утилізацію старих змінних акумуляторних батарей, безпечну для довкілля; зверніться до свого дилера.

Не зберігати змінні акумуляторні батареї разом з металевими предметами (небезпека короткого замикання).

При екстремальному навантаженні або при екстремальній температурі з пошкодженої змінної акумуляторної батареї може витікати електроліт. При потрапленні електроліту на шкіру його негайно необхідно змити водою з милом. При потрапленні в очі їх необхідно негайно ретельно промити, щонайменше 10 хвилин, та негайно звернутися до лікаря.

Для запобігання небезпеці пожежі в результаті короткого замикання, травмат і пошкодження виробів не занурюйте інструмент, змінний акумулятор або зарядний пристрій у рідину і не допускайте потраплення рідини всередину пристроїв або акумуляторів. Корозійні і струмопровідні рідини, такі як солоний розчин, певні хімікати, вибілювальні засоби або продукти, що їх містять, можуть призвести до короткого замикання.

Змінні акумуляторні батареї системи M18 заряджати лише зарядними пристроями системи M18. Не заряджати акумуляторні батареї інших систем.

Не відкривати змінні акумуляторні батареї і зарядні пристрої та зберігати їх лише в сухих приміщеннях. Берегти від вологи.

ВИКОРИСТАННЯ ЗА ПРИЗНАЧЕННЯМ

Дріт для протягування — це ідеальний інструмент для прокладання дротів через стіни та кабелепроводи.

АКУМУЛЯТОРНІ БАТАРЕЇ

Змінну акумуляторну батарею, що не використовувалася тривалий час, перед використанням необхідно підзарядити.

Температура понад 50 °C зменшує потужність змінної акумуляторної батареї. Уникати тривалого нагрівання сонячними променями або системою обігріву.

З'єднувальні контакти зарядного пристрою та змінної акумуляторної батареї повинні бути чистими.

Для забезпечення оптимального строку експлуатації акумуляторні батареї після використання необхідно повністю зарядити.

Для забезпечення максимального можливого терміну експлуатації акумуляторні батареї після зарядки необхідно виймати з зарядного пристрою.

При зберіганні акумуляторної батареї понад 30 днів: Зберігати акумуляторну батарею при температурі приблизно 27 °C в сухому місці. Зберігати акумуляторну батарею в стані зарядки приблизно 30-50 %. Кожні 6 місяців заново заряджати акумуляторну батарею.

ТРАНСПОРТУВАННЯ ЛІТІЙ-ІОННИХ АКУМУЛЯТОРНИХ БАТАРЕЙ

Літій-іонні акумуляторні батареї підпадають під законоположення про перевезення небезпечних вантажів.

Транспортування таких акумуляторних батарей повинно відбуватися із дотриманням місцевих, національних та міжнародних приписів та положень.

споживачі можуть без проблем транспортувати ці акумуляторні батареї по вулиці.



Комерційне транспортування літій-іонних акумуляторних батарей експедиторськими компаніями підпадає під положення про транспортування небезпечних вантажів. Підготовку до відправлення та транспортування можуть здійснювати виключно особи, які пройшли відповідне навчання. Весь процес повинні контролювати кваліфіковані фахівці.

При транспортуванні акумуляторних батарей необхідно дотримуватись зазначених далі пунктів:

Переконайтесь в тому, що контакти захищені та ізовані, щоб запобігти короткому замиканню. Слідкуйте за тим, щоб акумуляторна батарея не перемішувалася всередині упаковки. Пошкоджені акумуляторні батареї, або акумуляторні батареї, що потекли, не можна транспортувати. Для отримання подальших вказівок звертайтеся до своєї експедиторської компанії.



ЗАХИСТ АКУМУЛЯТОРНОЇ БАТАРЕЇ ВІД ПЕРЕВАНТАЖЕННЯ

У випадку перевантаження акумуляторної батареї внаслідок дуже високого споживання струму, наприклад, надмірно високого крутильного моменту, раптової зупинки або короткого замикання, електроінструмент вібує 5 секунд, індикатор заряду блимає, електроінструмент самостійно вимикається.

Для повторного увімкнення відпустити кнопку вимикача і знов увімкнути.

При надмірних навантаженнях акумуляторна батарея сильно перегрівається. В цьому випадку всі лампочки індикатора заряду блимають, доки акумуляторна батарея не охолоне. Можна продовжити роботу після того, як індикатор заряду згасне.

Вставити акумуляторну батарею в зарядний пристрій, щоб знову зарядити та активувати її.

ДОДАТКОВІ ПОРАДИ ЩОДО ЕКСПЛУАТАЦІЇ

Підтримуйте дрід для протягування під час використання. Для нормальної роботи див. розділ рисунків.

Слідкуйте за дротом для протягування під час розмотування. Перед досягненням повної довжини ви побачите жовту позначку на дроті для протягування. Щойно ви побачите жовту позначку, зупиніть розмотування. Подальше розмотування може призвести до пошкодження чи поломки дроту для протягування.

Перш ніж протягувати дрід, зверніть увагу на оточення та на можливі джерела небезпеки для себе та інших, які знаходяться поблизу та які можуть виникнути в тому випадку, якщо під час протягування дрід вивільниться.

ВКАЗІВКА: при блокуванні інструменту негайно відпустіть вимикач. Якщо під час протягування ви стикнетеся з точкою опору або перешкодою, не докладайте зусиль. Замість цього витягніть провід і усуньте перешкоду.

Щоби змотати дрід для протягування, переведіть перемикач у положення змотування та натисніть кнопку запуску. Припиніть змотування, коли дрід для протягування повернеться в початкове положення. Подальше змотування може призвести до пошкодження або поломки барабана.

Якщо інструмент вимикається під час подачі, виконайте вказані нижче дії.

- Відпустіть кнопку запуску.
- Переведіть перемикач управління в положення зворотного ходу.
- Натисніть кнопку запуску й утримуйте 3–4 секунди.
- Переведіть перемикач управління в положення подачі.
- Натисніть кнопку запуску та спробуйте запустити подачу ще раз.
- За необхідності повторіть вказані вище дії до 5 разів.
- Якщо інструмент продовжує вимикатися під час подачі, необхідно замінити барабан.

Якщо неструмопровідна стрічка починає втягуватися в барабан під час подачі, виконайте такі дії.

- Відпустіть кнопку запуску.
- Переведіть перемикач управління в положення зворотного ходу.
- Міцно візьміться за стрічку зовні, одразу на виході з барабана.
- Натисніть кнопку запуску, одночасно натягуючи стрічку іншою рукою, коли стрічка втягується назад у барабан.
- Відпустіть кнопку запуску.
- Переведіть перемикач управління в положення подачі.
- Натисніть кнопку запуску та спробуйте запустити подачу ще раз.
- За необхідності повторіть вказані вище дії до 5 разів.
- Якщо інструмент продовжує виконувати зворотний хід під час подачі, необхідно замінити барабан.

ОБСЛУГОВУВАННЯ

Перед будь-якими роботами на приладі виїняти змінну акумуляторну батарею.

Виїняту спіраль протерти ганчіркою та знову вставити в барабан.

Перед зберіганням пристрою для чищення труб повністю витягнути спіраль. Почистити спіраль та згорнути її нещільно.

Використовувати тільки комплектуючі та запчастини Milwaukee. Деталі, заміна яких не описується, замінювати тільки в відділі обслуговування клієнтів Milwaukee (зверніть увагу на брошуру „Гарантія / адреси сервісних центрів“).

У разі необхідності можна запросити креслення з зображенням вузлів машини в перспективному вигляді, для цього потрібно звернутися в ваш відділ обслуговування клієнтів або безпосередньо в Techtronic Industries GmbH, Max-Eyth-Straße 10, 71364 Winnenden, Німеччина, та вказати тип машини та шестизначний номер на фірмовій таблиці з даними машини.

СЕРТИФІКАТ ВІДПОВІДНОСТІ ВИМОГАМ ЄС

Ми заявляємо на власну відповідальність, що виріб, описаний в „Технічних даних“, відповідає всім застосовним положенням директиви:

2011/65/EU (RoHS)

2006/42/EC

2014/30/EU

та наступним гармонізованим нормативним документам:

EN 62841-1:2015+AC:2015

EN 55014-1:2017+A11:2020

EN 55014-2:2015

EN IEC 63000:2018



Winnenden, 2020-09-21

Alexander Krug / Managing Director

Уповноважений із складання технічної документації.

Techtronic Industries GmbH

Max-Eyth-Straße 10, 71364 Winnenden, Germany

СИМВОЛИ



УВАГА! ПОПЕРЕДЖЕННЯ! НЕБЕЗПЕЧНО!



Уважно прочитайте інструкцію з експлуатації перед введенням приладу в дію.



Під час роботи з машиною завжди носити захисні окуляри.



Носити захисні рукавиці!



Не використовуйте в ланцюгах під напругою або поруч із ними



Не використовуйте, стоячи на драбині



Перед будь-якими роботами на приладі виїняти змінну акумуляторну батарею.



Комплектуючі - не входять в обсяг постачання, рекомендовані доповнення з програми комплектуючих.



Електроприлади, батареї/акумулятори заборонено утилізувати разом з побутовим сміттям. Електричні прилади і акумулятори слід збирати окремо і здавати в спеціалізовану компанію для утилізації відповідно до норм охорони довкілля. Зверніться до місцевих органів або до вашого дилера, щоб отримати адреси пунктів вторинної переробки та пунктів прийому.

n₀ Кількість обертів холостого ходу

V Напруга

Постійний струм



Європейський знак відповідності



Британський знак відповідності



Український знак відповідності



Євроазіатський знак відповідності



تنبيه! تحذير! خطراً!



يرجى قراءة التعليمات بعناية قبل بدء تشغيل الجهاز.



ارتد دائماً نظارات الوقاية عند استخدام الجهاز.



ارتد القفازات!



يُحظر الاستخدام على دوائر الكهرباء الموصّلة أو بالقرب منها



تجنّب الاستخدام أثناء وقوفك على سُلّم.







انزع البطارية قبل التعامل مع الجهاز.



الملح - ليس مدرجاً كمعدة قياسية، متوفر كملحق.



يحظر التخلص من الأجهزة الكهربائية والبطاريات/ البطاريات القابلة للشحن في القمامة المنزلية. يجب جمع الأجهزة الكهربائية والبطاريات القابلة للشحن منفصلة وتسليمها للتخلص منها بشكل لا يضر بالبيئة لدى شركة إعادة استغلال. الرجاء الاستفسار لدى الهيئات المحلية أو لدى التجار المتخصصين عن مواقع إعادة الاستغلال ومواقع الجمع.

أقصى سرعة دون وجود حمل n_0 الجهد الكهربائي V التيار المستمر $---$ علامة التوافق الأوروبية علامة التوافق البريطانية علامة التوافق الأوكرانية علامة التوافق الأوروبية الآسيوية 

Ara

نعلن تحت مسؤوليتنا وحدنا أن المنتج المعين تحت اسم
"البطانات الفنية" يستوفي جميع الأحكام ذات الصلة ضمن
التوجيهات:

2011/65/EU (RoHS)

2006/42/EC

2014/30/EU

والمعايير المتسقة التالية

EN 62841-1:2015+AC:2015

EN 55014-1:2017+A11:2020

EN 55014-2:2015

EN IEC 63000:2018

Winnenden, 2020-09-21



Alexander Krug

Alexander Krug / Managing Director
معمتدة للمطابقة مع الملف الفني

Techtronic Industries GmbH
Max-Eyth-Straße 10, 71364 Winnenden
Germany

يلزم دعم شريط الالتقاط أثناء الاستخدام.

للتشغيل العادي، انظر قسم الصور.

تلزم مراقبة شريط الالتقاط أثناء تمديده. عندما يقترّب شريط
الالتقاط من وضع التمديد الكامل، سيكون الجزء الأخير منه
مميزاً بطلاء أصفر. بمجرد ظهور الطلاء الأصفر، توقّف عن
تمديد الشريط. فقد يؤدي الاستمرار في تمديده إلى إتلافه أو
تعرّضه للقطع.

قبل سحب السلك، انتبه جيداً للنطاقات المحيطة والمخاطر
القريبة المحتملة، سواء بالنسبة لك أو للآخرين، في حال
انفلات الشريط أثناء سحبه.

إرشاد: إذا حدثت عرقلة في الأداة، أترك الزر على الفور. لا
تقم بسحب الشريط بالقوة إذا واجهك عائق أو نقطة مقاومة.
وبدلاً من ذلك، قم بإزالة السلك وتخلص من العائق.

للف الشريط مرةً أخرى، قم بتدريك مفتاح التحكم إلى وضع
اللف واسحب زر التشغيل. توقّف عن لف شريط الالتقاط
بمجرد رجوعه إلى وضع البدء. فقد يتسبب الاستمرار في لفه
إلى إتلاف الأسطوانة أو تعرّضها للكسر.

إذا انغلت الأداة أثناء التغذية:

- أترك زر الانطلاق.
- ادفع مفتاح التحكم إلى وضع السحب.
- اسحب زر الانطلاق لمدة 3-4 ثوان.
- ادفع مفتاح التحكم إلى وضع التغذية.
- اسحب زر الانطلاق وحاول التغذية مرةً أخرى.
- كرر الخطوات المذكورة أعلاه حتى 5 مرات عند الحاجة.
- إذا استمرت الأداة في الإغلاق أثناء التغذية، يلزم تغيير
الأسطوانة.

**إذا بدأ الشريط غير الموصّل في الانسحاب إلى داخل
الأسطوانة أثناء التغذية:**

- أترك زر الانطلاق.
- ادفع مفتاح التحكم إلى وضع السحب.
- أمسك الشريط إلى خارج الأسطوانة مباشرةً باستخدام قبضة
مصافحة قوية.
- اسحب زر الانطلاق مع تطبيق بعض الشد على الشريط
بيدك الأخرى بينما ينسحب الشريط إلى الخلف في اتجاه
الأسطوانة.
- أترك زر الانطلاق.
- ادفع مفتاح التحكم إلى وضع التغذية.
- اسحب زر الانطلاق وحاول التغذية مرةً أخرى.
- كرر الخطوات المذكورة أعلاه حتى 5 مرات عند الحاجة.
- إذا استمرت الأداة في الانسحاب أثناء التغذية، يلزم تغيير
الأسطوانة.

الصيانة

انزع البطارية قبل التعامل مع الجهاز.
قم بلمس الحزون الموضوع بشكل غير محكم بخزقة ثم أدخله
في الأسطوانة مرةً
أخرى.

استخدم فقط ملحقات ميلوكي وكذلك قطع غيار ميلوكي. إذا
كانت المكونات التي يجب تغييرها غير مذكورة، يرجى
الاتصال بأحد عملاء صيانة ميلوكي (انظر قائمة عناوين
الضمان/الصيانة الخاصة بنا).

عند الحاجة يمكن طلب رمز انفجار الجهاز بعد ذكر طراز
الألة والرقم السداسي المذكور على بطاقة طاقة الألة لدى جهة
خدمة العملاء أو مباشرة لدى شركة

Techtronic Industries GmbH
Max-Eyth-Straße 10, 71364 Winnenden
المانيا

⚠ تحذيرات السلامة لشرط الالتقاط

يحظر الاستخدام على دوائر الكهرباء الموصلة أو بالقرب منها عند العمل بالقرب من المعدات الكهربائية، يلزم توخي أقصى درجات الحذر. عند السحب عبر ماسورة اسلاك تحتوي على أية أسلاك أخرى، يجب التأكد من فصل الكهرباء عن هذه الأسلاك وإيقاف تشغيلها.

قف على أرض ثابتة وحافظ على توازنك عند القيام بعمليات السحب، تحبّب السحب أثناء وفوقك على سُم. ففي حالة وجود عائق أو مقاومة، قد يخلت توازن السُم، مما قد يؤدي إلى فقدان التوازن والسيطرة.

استخدم حُكمك السليم على الأمور دائماً وتوخ الحذر عند استخدام الأدوات. لا يمكن التنبؤ بكل موقف قد يؤدي إلى نتيجة خطيرة. لا تستخدم هذه الأداة إذا لم تفهم إرشادات التشغيل تلك أو كنت تشعر أن العمل أكبر من قدراتك؛ تواصل مع **Milwaukee Tool** مع محترف مُدرّب للحصول على المزيد من المعلومات أو التدريب.

تحذير! يحتوي بعض الغبار الذي يصنعه الترميل الآلي، والنفس، والتجليخ، والحفر، وأعمال الإنشاء الأخرى على مواد كيميائية من المعروف أنها تسبب السرطان، أو تشوهات الولادة، أو الأضرار الإنجابية الأخرى. من الأمثلة على تلك المواد الكيميائية:

- الرصاص الناتج عن الطلاء المصنوع من الرصاص
 - السيليكا البلورية الناتجة عن القرميد والأسمنت ومنتجات البناء الأخرى،
 - الزرنيخ والكروم الناتجين عن الخشب المعالج كيميائياً.
- ويتراوح نطاق الخطر الذي تتعرض له جراء التعرّض لتلك المواد، وفقاً لمدى تكرارية قيامك بهذا النوع من العمل. لتقليل التعرّض لتلك المواد الكيميائية: اعمل في منطقة ذات تهوية جيدة، واملع بمعدات سلامة معتمدة، مثل أقنعة الغبار الضميمة خصيصاً لفلترتة الجزيئات المجهريّة.

يحظر نزع لافتة الطراز والبطاقة المملّقة. هذه البطاقات تتضمن معلومات هامة. إذا أصبحت هذه البطاقات غير مقروءة أو غير متوافرة يرجى خدمة العملاء بشركة **MILWAUKEE** للحصول على بديل مجاني.

إرشادات أمان وعمل إضافية

استخدم معدة الوقاية. ارتد دائماً نظارة الوقاية عند العمل بالآلة. ينصح باستخدام الملابس الواقية مثل الكمامات الواقية من الغبار، والقفازات، والأحذية القوية غير المنزلقة، والخوذات، وواقيات الأذن.

قد تكون الأتربة الناتجة عن استخدام هذه الآلة ضارة بالصحة. لا تستنشق هذه الأتربة. ارتد قناعاً واقياً من الأتربة مناسباً. لا يجوز استخدام مواد يتجمّع عنها أضرار على الصحة (حريز صخري).

الرجاء إيقاف تشغيل الجهاز على الفور في حالة عرقلة أداة الاستعمال! لا تقم بتشغيل الجهاز مرة أخرى، طالما أن الأداة المستعملة زالت في حالة عرقلة؛ حيث يمكن أن يحدث هنا ارتداد عكسي مصحوب بقوة رد فعل عالية. قم بالبحث وإزالة أسباب عرقلة أداة الاستعمال مع مراعاة تعليمات الأمان.

انزع البطارية قبل التعامل مع الجهاز.

لا تتخلص من البطاريات المستعملة مع النفايات المنزلية أو بحرفها. يقدم مزوَع ميلوكي خدمة استعادة البطاريات القديمة لحماية البيئة.

لا تقم بتخزين البطارية مع الأشياء المعدنية (خطر قصر الدائرة).

قد يتسرب حامض البطارية من البطاريات التالفة في ظروف الحمل الزائد بدرجة كبيرة أو في درجات الحرارة الشديدة. في حالة ملامسة حامض البطارية اغسل يديك فوراً بالماء والصابون. في حالة ملامسة السائل للعينين اشطفهما جيداً لمدة 10 دقائق على الأقل واطلب العناية الطبية فوراً.

تحذير! لتجنب أضرار الحريق أو الإصابة أو الإضرار بالمنتج التي تنتج عن الماس الكهربائي، لا تقم الأداة أو البطارية القابلة للاستبدال أو جهاز الشحن في السوائل وأحرص على أن لا تصل السوائل إلى داخل الجهاز والبطارية. السوائل المؤدية للتآكل أو الموصلة للتيار الكهربائي، مثل الماء المالح ومركبات كيميائية معينة ومواد التبييض أو المنتجات التي تشتمل على مواد تبيض، يمكن أن تؤدي إلى حدوث ماس كهربائي.

استخدم فقط شواحن **System M18** لشحن بطاريات **System M18**. لا تستخدم بطاريات من أنظمة أخرى. لا تقم أبداً بفتح قفل البطارية والشواحن ولا تخزنهم إلا في غرف جافة. احتفظ عليها جاف طوال الوقت.

شروط الاستخدام المحددة

يُعد شرط الالتقاط هذا الأداة المثالية التي يمكن استخدامها لتمرير الأسلاك عبر الجدران ومواسير الأسلاك الكهربائية.

البطاريات

يجب إعادة شحن البطارية غير المستخدمة لفترة قبل الاستخدام.

تقلل درجات الحرارة التي تتجاوز 50° سيلزيوس (122° فهرنهايت) من أداء البطارية. تجنب التعرض الزائد للحرارة أو أشعة الشمس (خطر التسخين).. يجب الحفاظ على محتويات الشواحن و البطاريات نظيفة. للحصول على فترة استخدام مثالية، يجب شحن البطاريات تماماً، بعد الاستخدام.

للحصول على أطول عمر ممكن للبطارية، انزع البطارية من الشاحن بمجرد شحنها تماماً.

لتخزين البطارية أكثر من 30 يوم: خزن البطارية بحيث تكون درجة الحرارة أقل من 27°C سيلزيوس وبعيداً عن أي رطوبة خزن البطارية مشحونة بنسبة تتراوح بين 50%-30% اشحن البطارية كالمعتاد، وذلك كل ستة أشهر من التخزين.

نقل بطاريات الليثيوم

تخضع بطاريات الليثيوم أيون لشروط قوانين نقل السلع الخطرة.

ويجب نقل هذه البطاريات وفقاً للأحكام والقوانين المحلية والوطنية والدولية.

يمكن للمستخدم نقل البطاريات برأ دون الخضوع لشروط أخرى.

يخضع النقل التجاري لبطاريات الليثيوم أيون عن طريق الغير إلى قوانين نقل السلع الخطرة. يتعين أن يقوم أفراد مدربون جيداً بالإعداد لعملية النقل والقيام بها بصحبة خبراء مثلهم.

متى تُنقل البطاريات:

عند التأكد من حماية أطراف توصيل البطارية وعزلها تجنّباً لحدوث قصر بالدائرة. عند التأكد من حماية حزمة البطارية من الحركة داخل صندوق التعبئة. يُرجى عدم نقل البطاريات التي بها تشققات أو تسربات. يُرجى البحث مع شركة الشحن عن نصيحة أخرى

حماية البطارية

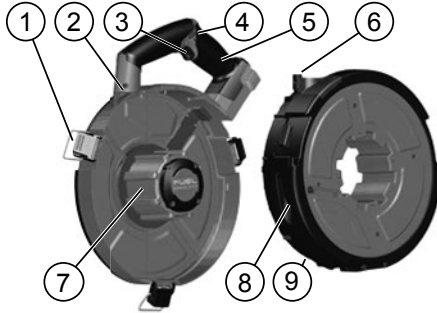
في حالات العزم العالي، أو إعاقة الحركة أو التوقف المفاجئ أو القصور في الدائرة الكهربائية الذي ينتج عنه سحب لقدر كبير من التيار الكهربائي، تنصدر الأداة تذبذبات لمدة 5 ثوان، وسببها مقياس الوقود ثم تتوقف عن العمل.

إعادة الضبط، حرر الزناد.

في الظروف القصوى للعمل، قد ترتفع درجة الحرارة الداخلية للبطارية ارتفاعاً شديداً. إذا حدث ذلك، سببها مقياس الوقود حتى تنخفض درجة حرارة البطارية. بعد انطفاء الأضواء، يمكنك متابعة العمل.

ضع البطارية على الشاحن للشحن ثم أعد ضبطها.

M18 FPFT	البيانات الفنية	
شريط التقاط	العربية	
4749 40 01...	إنتاج عدد	
... 000001-999999		
18 V	فولطية البطارية	
0 - 37 min ⁻¹	أقصى سرعة دون وجود حمل	
73 m	37 m	طول شريط أسطوانة الالتقاط الفولاذي
3 mm	عرض شريط أسطوانة الالتقاط الفولاذي	
8,43...9,49 kg	7,13...8,19 kg	الوزن وفقاً لنهج EPTA رقم 01/2014 (Li-Ion 2,0 Ah...12,0 Ah)
61 m	30 m	طول شريط الأسطوانة غير الموصل
7,03...8,09 kg	6,43...7,49 kg	الوزن وفقاً لنهج EPTA رقم 01/2014 (Li-Ion 2,0 Ah...12,0 Ah) (غير موصل)
-18°C ... +50°C	درجة حرارة البيئة المحيطة الممنوح بها من أجل التشغيل	
M18...	البطاريات الممنوح بها	
M12-18...	جهاز الشحن الممنوح به	
معلومات الضوضاء		
القيم التي تم قياسها محددة وفقاً للمعايير الأوروبية EN 62841 مستويات ضوضاء الجهاز، ترجيحاً بشكل نموذجي كالتالي:		
71,45 dB (A)	مستوى ضغط الصوت (الارتياح في القياس = 3 ديسيبل (A))	
82,45 dB (A)	مستوى شدة الصوت (الارتياح في القياس = 3 ديسيبل (A))	
ارتد واقبات الأذن!		
معلومات الاهتزاز		
قيم الذبذبات الإجمالي (مجموع الكميات الموجهة في المحاور الثلاثة) محددة وفقاً للمعايير الأوروبية EN 62841.		
	0,64 m/s ²	قيمة انبعاث الذبذبات a _n
	1,5 m/s ²	الارتياح في القياس



وصف الجهاز

- ① مزلاج
- ② ثقب الفوهة
- ③ الزناد
- ④ مفتاح التحكم
- ⑤ مقبض
- ⑥ فوهة
- ⑦ صرة
- ⑧ مقابض الأسطوانة
- ⑨ الأسطوانة

تحذير
تم قياس مستوى الاهتزاز وانبعاث الضوضاء الوارد في ورقة المعلومات هذه، وفقاً لاختيار قياسي محدد في المواصفة EN 62841، ويمكن استخدامه لمقارنة آلة مع أخرى. كما يمكن استخدام ذلك أيضاً في إجراء تقييم أولي للتعرض. يمثل مستوى الاهتزاز وانبعاث الضوضاء المعلن عنه الاستخدامات المختلفة، أو بملحقات مختلفة، أو تم صيانتها على نحو سيئ، فقد يختلف مستوى الاهتزاز وانبعاث الضوضاء وهذا قد يزيد -إلى حد كبير- من مستوى التعرض خلال مدة العمل الإجمالية.
عند تقييم مستوى التعرض للاهتزاز والضوضاء، ينبغي أيضاً أن يوضع في الاعتبار فترات إطفاء الآلة أو تشغيلها دون أن تقوم بأي وظيفة فعلياً. فهذا قد يقلل -إلى حد كبير- من مستوى التعرض خلال مدة العمل الإجمالية.
تعرف على تدابير السلامة الإضافية؛ لحماية المشغل من تأثيرات الاهتزاز أو الضوضاء أو كليهما، مثل: صيانة الآلة وملحقاتها، والحفاظ على دفة اليد، وتنظيم نماذج العمل.
ارتد واقبات الأذن. ارتد قد يسبب التعرض للضوضاء إلى فقدان السمع.

تحذير! اقرأ جميع تعليمات السلامة والإرشادات والنشرو والبيانات المرفقة مع الجهاز. قد يؤدي عدم مراعاة التعليمات المدرجة أدناه إلى التعرض للإصابة بصدمة كهربية أو الحرق و/أو إصابة خطيرة. **احتفظ بجميع التنبيهات والتعليمات للرجوع إليها مستقبلاً.**

Copyright 2020
Techtronic Industries GmbH
Max-Eyth-Straße 10
71364 Winnenden
Germany
+49 (0) 7195-12-0
www.milwaukeeetool.eu

Techtronic Industries (UK) Ltd
Fieldhouse Lane
Marlow Bucks SL7 1HZ
UK



**EAC UK
CA**

(11.20)

4931 4254 04