



Product designation	Power contactor		
Product type designation	BF80		
Contact characteristics			
Number of poles	Nr.	4	
Rated insulation voltage U _i IEC/EN	V	1000	
Rated impulse withstand voltage U _{imp}	kV	8	
Operational frequency	min	Hz	25
	max	Hz	400
IEC Conventional free air thermal current I _{th}	A	115	
Operational current I _e	AC-1 (≤40°C)	A	115
	AC-1 (≤55°C)	A	95
	AC-1 (≤70°C)	A	80
	AC-3 (≤440V ≤55°C)	A	80
	AC-4 (400V)	A	38
Rated operational current AC-3 (T≤55°C)	230V	A	80
	400V	A	80
	415V	A	80
	440V	A	80
	500V	A	78
	690V	A	57
	1000V	A	28
Rated operational power AC-1 (T≤40°C)	230V	kW	43
	400V	kW	76
	500V	kW	95
	690V	kW	120
Short-time allowable current for 10s (IEC/EN60947-1)	A	640	
Protection fuse	gG (IEC)	A	125
	aM (IEC)	A	80
Making capacity (RMS value)	A	800	
Breaking capacity at voltage	440V	A	640
	500V	A	625
	690V	A	456
Resistance per pole (average value)	mΩ	0.6	
Power dissipation per pole (average value)	I _{th}	W	7.9
	AC-3	W	3.8
Tightening torque for terminals	min	Nm	4
	max	Nm	5

		min	lbin	2.95
		max	lbin	3.69
<hr/>				
Tightening torque for coil terminal				
		min	Nm	0.8
		max	Nm	1
		min	lbin	0.8
		max	lbin	0.74
<hr/>				
Max number of wires simultaneously connectable				
			Nr.	2
<hr/>				
Conductor section				
	AWG/Kcmil			
		max		2
<hr/>				
Flexible w/o lug conductor section				
		min	mm ²	1.5
		max	mm ²	35
<hr/>				
Flexible c/w lug conductor section				
		min	mm ²	1.5
		max	mm ²	35
<hr/>				
Power terminal protection according to IEC/EN 60529				
				IP20 front
<hr/>				
Mechanical features				
Operating position				
		normal allowable		Vertical plan ±30°
<hr/>				
Fixing				
				Screw / DIN rail 35mm
<hr/>				
Weight				
			g	1360
<hr/>				
Conductor section				
	AWG/kcmil conductor section			
		max		2
<hr/>				
Operations				
Mechanical life				
			cycles	15000000
<hr/>				
Electrical life				
			cycles	1300000
<hr/>				
Safety related data				
Performance level B10d according to EN/ISO 13489-1				
		rated load	cycles	1300000
		mechanical load	cycles	15000000
<hr/>				
Mirror contats according to IEC/EN 609474-4-1				
				YES
<hr/>				
EMC compatibility				
				yes
<hr/>				
AC coil operating				
Rated AC voltage at 60Hz				
			V	220
<hr/>				
AC operating voltage				
	of 60Hz coil powered at 60Hz			
	pick-up			
		min	%Us	80
		max	%Us	110
	drop-out			
		min	%Us	20
		max	%Us	55
<hr/>				
AC average coil consumption at 20°C				
	of 60Hz coil powered at 60Hz			
		in-rush	VA	210
		holding	VA	15
<hr/>				
Dissipation at holding ≤20°C 50Hz				
			W	5
<hr/>				
Max cycles frequency				

Mechanical operation cycles/h 3600

Operating times

Average time for Us control in AC					
	Closing NO	min	ms	12	
		max	ms	28	
	Opening NO	min	ms	8	
		max	ms	22	
	Closing NC	min	ms	11	
		max	ms	29	
	Opening NC	min	ms	6	
		max	ms	14	
<hr/>					
in DC					
	Closing NO	min	ms	40	
		max	ms	85	
	Opening NO	min	ms	20	
		max	ms	55	

UL technical data

Full-load current (FLA) for three-phase AC motor				
		at 480V	A	77
		at 600V	A	77

Yielded mechanical performance for three-phase AC motor				
	200/208V	HP		25
	220/230V	HP		30
	460/480V	HP		60
	575/600V	HP		75

General USE				
	Contactor			
		AC current	A	115

Ambient conditions

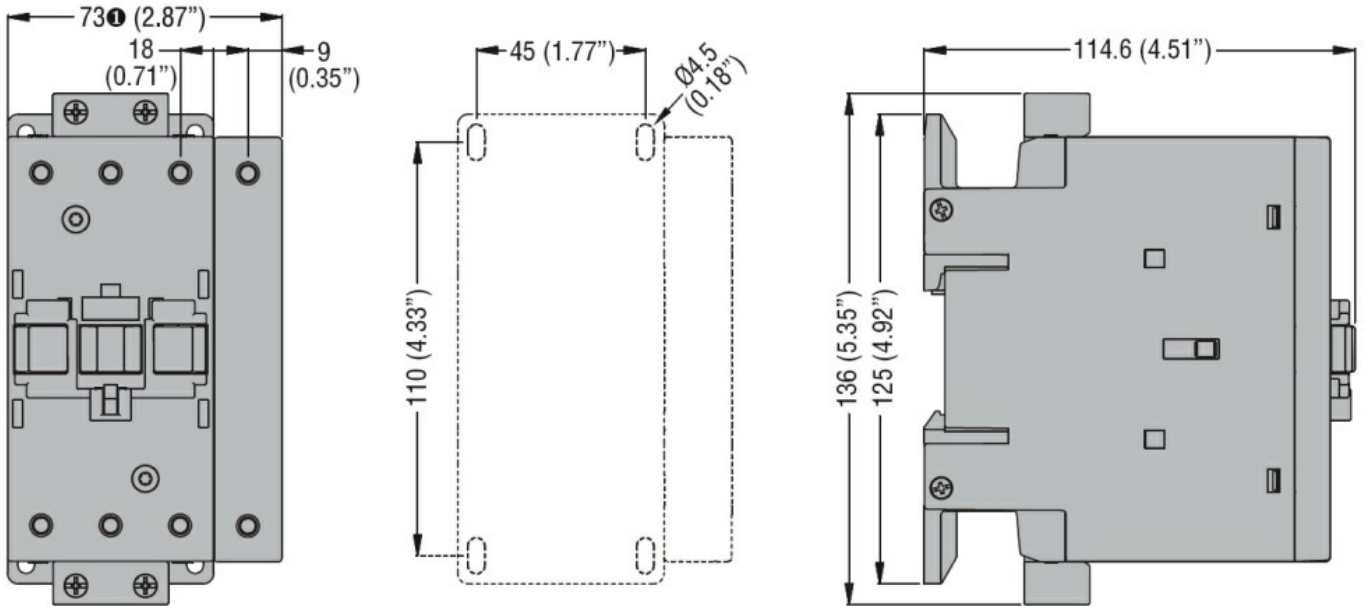
Temperature				
	Operating temperature			
	min	°C		-50
	max	°C		70
	<hr/> Storage temperature			
	min	°C		-60
	max	°C		80

Max altitude		m		3000
--------------	--	---	--	------

Resistance & Protection

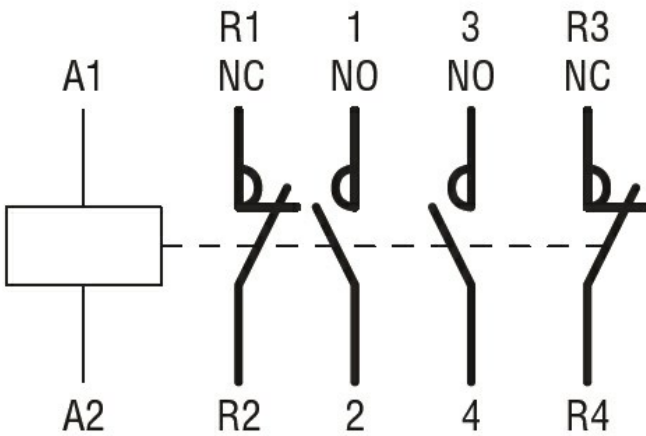
Pollution degree				3
------------------	--	--	--	---

Dimensions



① BF80T2 82mm/3.23"

Wiring diagrams



Certifications and compliance

Compliance

CSA C22.2 n° 60947-1

CSA C22.2 n° 60947-4-1

IEC/EN/BS 60947-1

IEC/EN/BS 60947-4-1

UL 60947-1

UL 60947-4-1

Certificates

CCC

cULus

ETIM classification

ETIM 8.0

EC000066 -
Power contactor,
AC switching