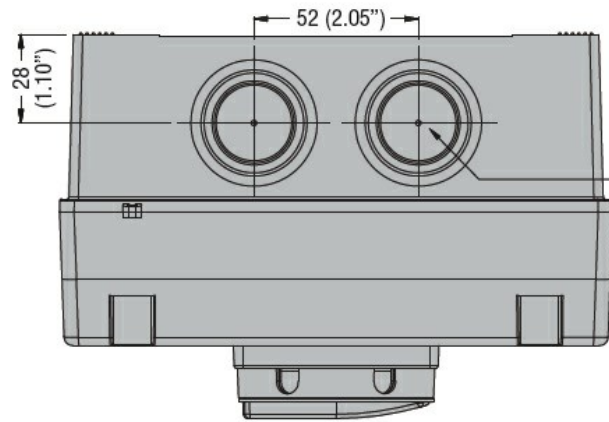
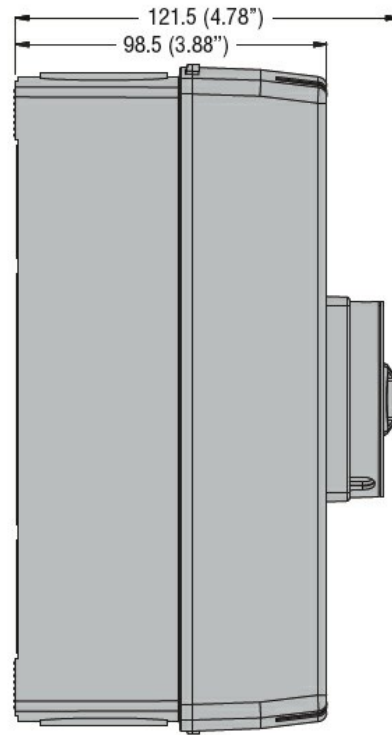
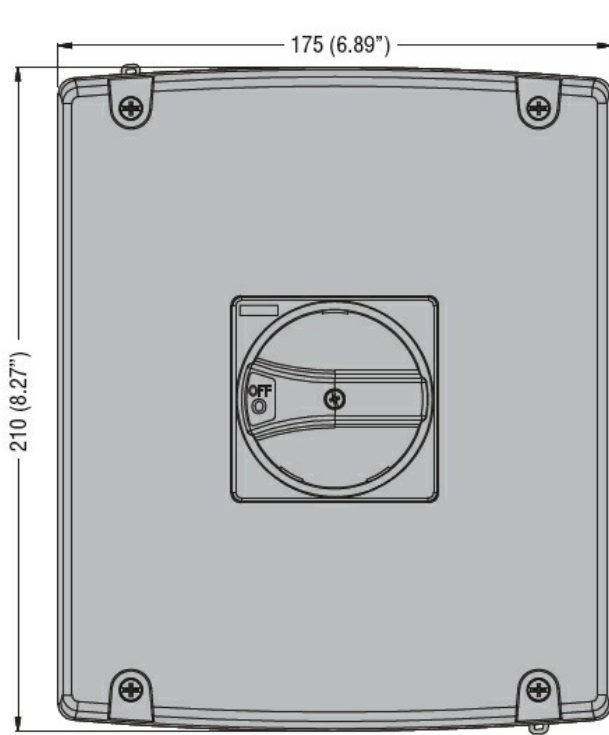


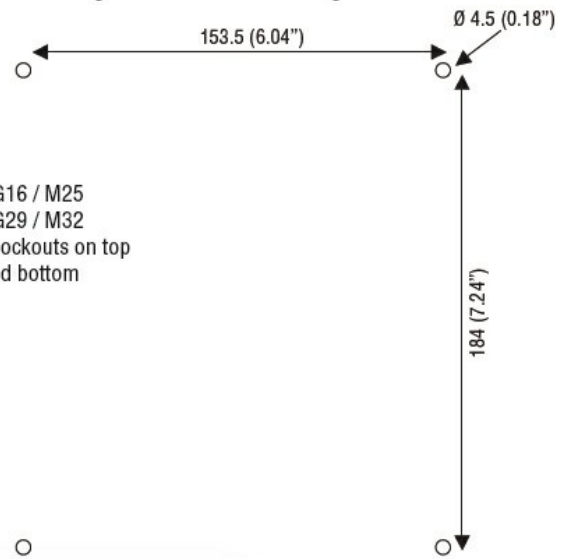


Product designation				Enclosed switch disconnecter
Product type designation				GAZ
Number of poles	Nr.			4
Operating voltage type				AC
<b>Contact characteristics</b>				
IEC Conventional free air thermal current I <sub>th</sub>	A			100
Rated insulation voltage U <sub>i</sub> IEC/EN	V			1000
Rated impulse withstand voltage U <sub>imp</sub>	kV			8
Operating current I <sub>e</sub>				
AC21A		400V	A	100
		500V	A	100
		690V	A	100
AC22A		400V	A	100
		500V	A	100
		690V	A	100
AC23A		400V	A	100
		500V	A	80
		690V	A	47
Power dissipation per pole max	W			4
Rated operational power AC23A		400V	kW	55
		690V	kW	45
Conditional short-circuit current (rms)	kA			50
Short-circuit protection with fuse	Class/A			gG100
Making capacity AC23A 400V	A			1000
Breaking capacity AC23A 400V	A			800
Mechanical life	cycles			30000
Electrical life AC21A	cycles			30000
<b>Mechanical features</b>				
Operating position	normal allowable			Vertical plan Any
Terminals	type			Pillar
	width	mm	12.4	
	height	mm	10.4	
	screw			M8
	tool			Metric Allen key 4
Tightening torque for terminals	min	Nm	5	
	max	Nm	6	

	min	lbin	45
	max	lbin	54
<hr/>			
Conductor section			
	IEC min	mm <sup>2</sup>	4
	IEC max	mm <sup>2</sup>	70
	AWG/kcmil min		12
	AWG/kcmil max		1
<hr/>			
<b>Ambient conditions</b>			
Operating temperature			
	min	°C	-25
	max	°C	+55
<hr/>			
Storage temperature			
	min	°C	-40
	max	°C	+70
<hr/>			
Max altitude		m	3000
<hr/>			
<b>Resistance &amp; Protection</b>			
Frontal IP degree			IP65
IP degree of protection			IP65
Pollution degree			3
<hr/>			
<b>Dimensions</b>			

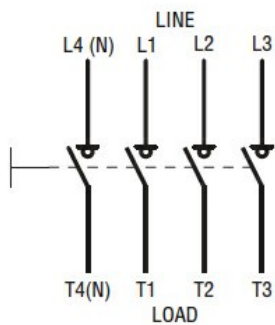


Drilling for surface fixing



PG16 / M25  
 PG29 / M32  
 knockouts on top  
 and bottom

Wiring diagrams



Certifications and compliance

Compliance

IEC/EN 60947-1

IEC/EN 60947-3

Certifications

EAC

ETIM classification

ETIM 8.0

EC000216 -  
Switch  
disconnecter