



Product designation				Changeover Switch
Product type designation				GLC
Number of poles		Nr.		3
Operating voltage type				AC
Contact characteristics				
IEC Conventional free air thermal current I _{th}		A		160
Rated insulation voltage U _i IEC/EN		V		1000
Rated impulse withstand voltage U _{imp}		kV		12
Operating current I _e				
	AC-31B			
		400V	A	160
		500V	A	160
		690V	A	160
	AC-32B			
		400V	A	160
		500V	A	160
		690V	A	160
	AC-33B			
		400V	A	160
		500V	A	160
		690V	A	160
Power dissipation per pole max		W		3.2
Rated operational power AC23A				
		400V	kW	90
		690V	kW	144
Rated short time current (1s) I _{cs} (rms)		kA		6
Rated short time current (0.3s) I _{cs} (rms)		kA		12
Conditional short-circuit current (rms)		kA		100
Short-circuit protection with fuse		Class/A		gG/160
Making capacity AC23A 400V		A		1600
Breaking capacity AC23A 400V		A		1280
Mechanical life		cycles		20000
Mechanical features				
Operating position		normal allowable		Vertical plan Any
Fixing				Screw
Terminals		type		M8 x 20
Tightening torque for terminals				
		min	Nm	15
		max	Nm	22
		min	lbin	132
		max	lbin	194

Conductor section

IEC min	mm ²	70
IEC max	mm ²	185
AWG/kcmil min		00
AWG/kcmil max		400

Ambient conditions

Operating temperature

min	°C	-25
max	°C	+55

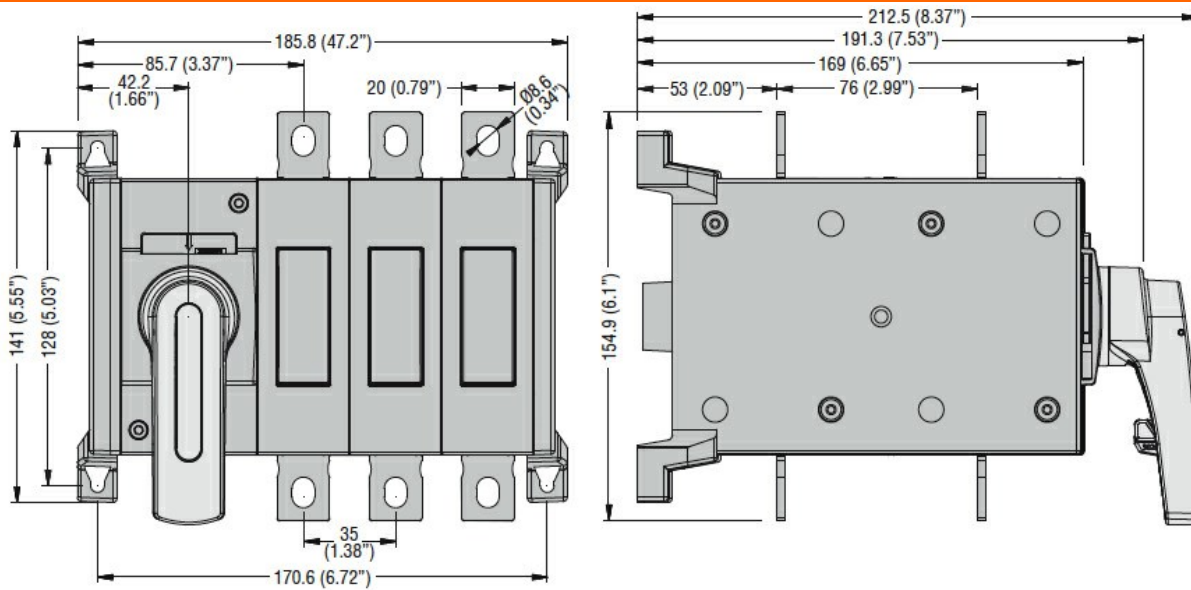
Storage temperature

min	°C	-40
max	°C	+70

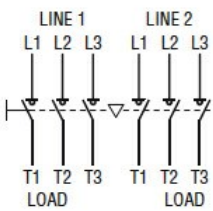
Max altitude

m	3000
---	------

Dimensions



Wiring diagrams



Certifications and compliance

Compliance

IEC/EN 60947-1
IEC/EN 60947-3
IEC/EN 60947-6-1

ETIM classification

ETIM 8.0

EC000216 -
Switch
disconnecter