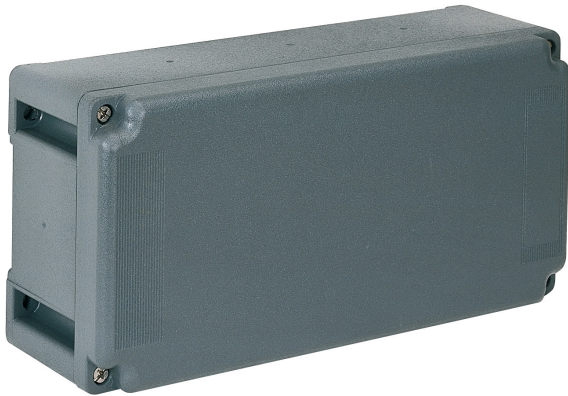


Part number

TM 2314 DB



Box, TM series, with fixed cover, for 2 TM 1145 TB plates

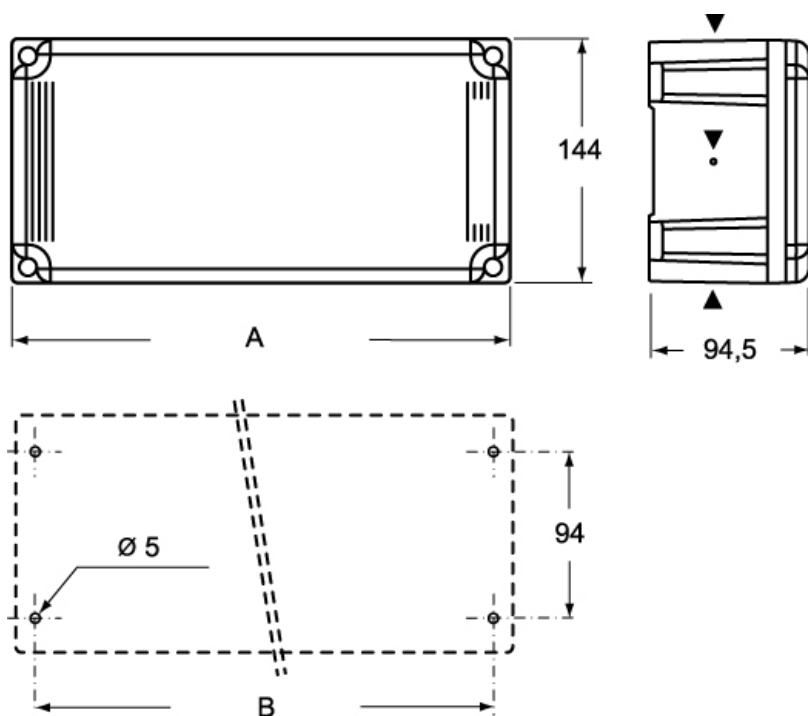
Product description		Material properties	
Product type	Box	Colour	RAL 7012 grey
Series	TM		Compliant with exemption 6(c): copper alloy containing up to 4% lead by weight
Specification	With fixed cover For 2 TM 1145 TB plates	RoHs conformity	
Technical data		China RoHs - EFUP	50
IP degree of protection	IP66 / IP67		Yes
Further technical details		REACH SVHC substances	Lead
Weight	680,00 g	SCIP number	B0214dad-d2d9-4e91-a5b4-f4c9b4612083
Operating temperature range (min, max)	-25°C ... +40°C	General ordering information	
IK rating (impact degree of protection)	IK10	EAN13 code	8015747101417
		Packaging Information	
		Packaging length	245,00 mm
		Packaging height	165,00 mm
		Packaging width	215,00 mm
		Packaging weight	1,36 kg
		Packaging volume	8,69 dm ³
		Packaging description	Carton box
		Packaging quantity	2 Pcs
		Packaging EAN code	8015747101615
		Sub-packaging weight	0,68 kg
		Sub-packaging description	Plastic packaging
		Sub-packaging quantity	1 Pcs
		Sub-packaging EAN barcode	8015747101608

Part number

TM 2314 DB



Catalogue drawings



	A	B
TM 2314 DB	230	213
TM 2614 DB	260	243
TM 2914 DB	290	273

Notes

Dimensions shown in mm are not binding and may be changed without notice.