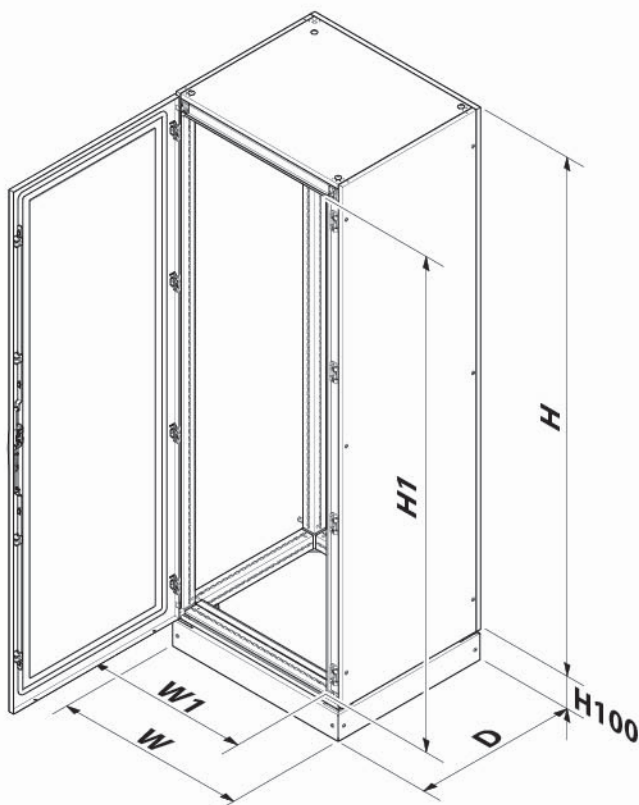
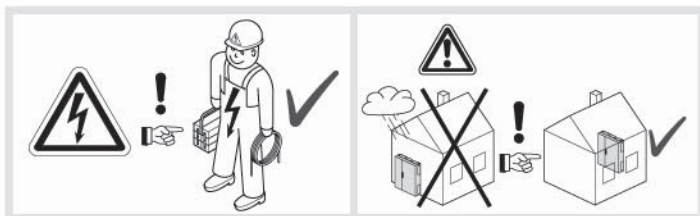
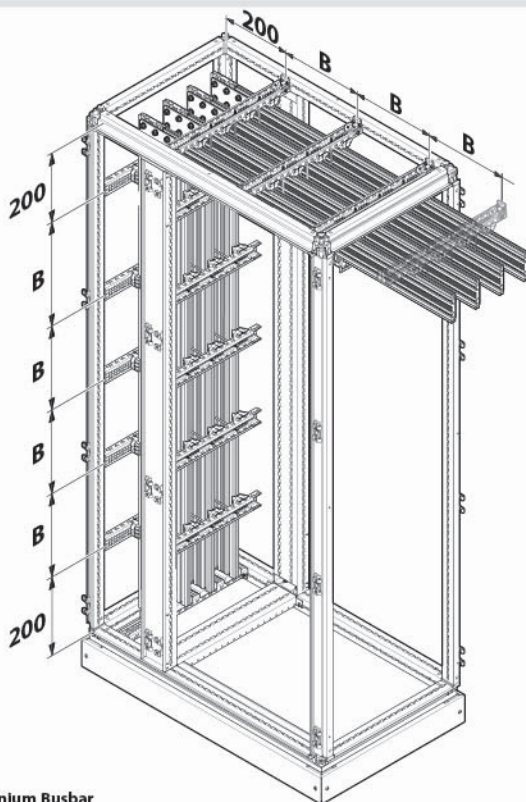
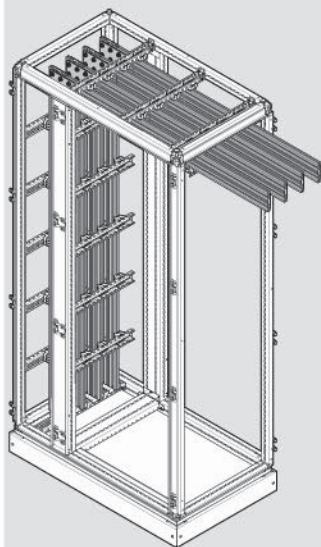


- (DE) Montageanleitung
- (FR) Notice d'instructions
- (GB) Mounting instructions
- (NL) Montage instructie
- (DK) Monteringsvejledning
- (FI) Asennusohje
- (NO) Montasjeanvisning
- (SE) Monterings instruktioner
- (IT) Istruzioni di montaggio
- (ES) Instrucciones de montaje
- (PT) Instruções de montagem
- (CZ) Montážní návod
- (BA) Uputstvo za montažu
- (HR) Upute za montažu
- (HU) Szerelési útmutató
- (LT) Montavimo instrukcija
- (LV) Mont žas instrukcija
- (PL) Instrukcja montażowa
- (RO) Instrucțiuni de montare
- (SK) Návod na montáž
- (RU) Инструкция по монтажу
- (BG) Инструкции за монтаж
- (GR) Οδηγίες χώνευσης
- (SI) Navodilo za montažo
- (EE) Paigaldusjuhised
- (IS) Leiðbeiningar

**quadro evo**  
enclosure busbar system

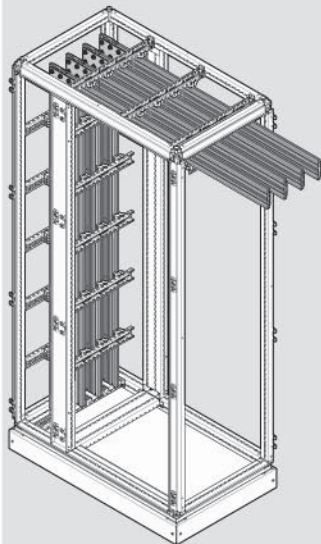



W	W1	H	H1	D
450	350	1900	1800	400
700	600	2100	2000	600
900	800			800
1000	600			



Aluminium Busbar

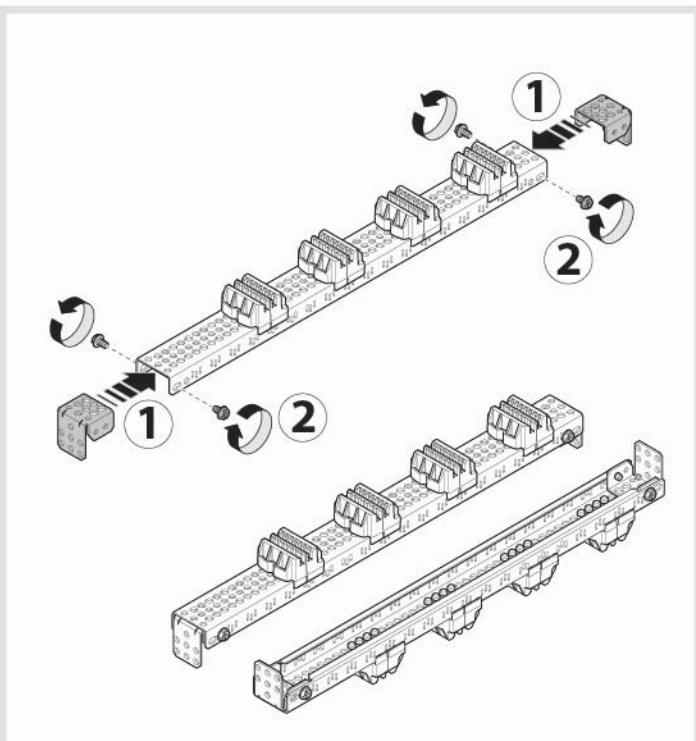
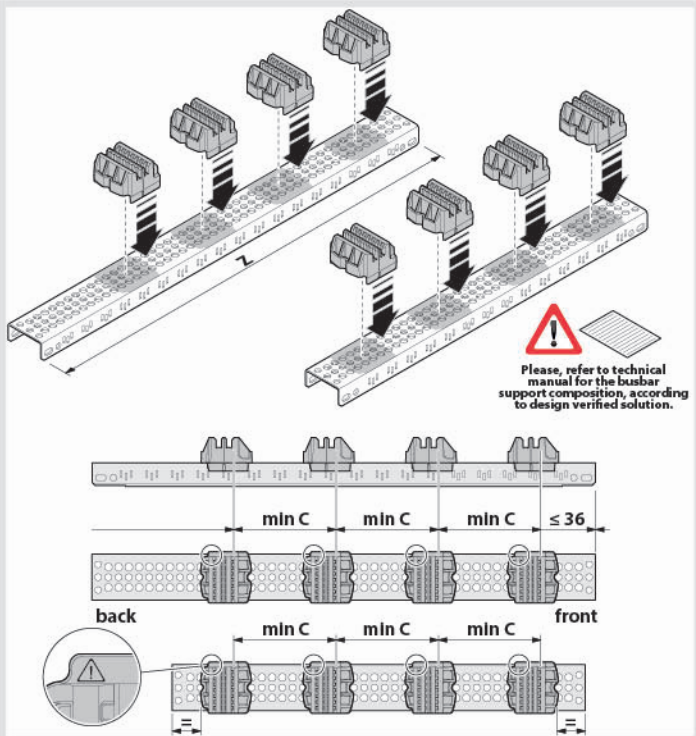
Current IP31 / IP55	Enclosure depth = D	1s / kA	B mm max	C mm min
1600	400	70	250	70
1600	400	65	275	70
1600	400	52	450	70
1600	400	40	650	70
1600	400	35	650	70
1600	400	30	650	70
1600	400	25	650	70
1600	400	15	650	70
1250	400	52	375	70
1250	400	40	650	70
1250	400	35	650	70
1250	400	30	650	70
1250	400	25	650	70
1250	400	15	650	70
800	400	40	650	70
800	400	35	650	70
800	400	30	650	70
800	400	25	650	70
800	400	15	650	70
1600	600/800	70	350	100
1600	600/800	65	400	100
1600	600/800	52	625	100
1600	600/800	40	650	100
1600	600/800	35	650	100
1600	600/800	30	650	100
1600	600/800	25	650	100
1600	600/800	15	650	100
1250	600/800	52	550	100
1250	600/800	40	650	100
1250	600/800	35	650	100
1250	600/800	30	650	100
1250	600/800	25	650	100
1250	600/800	15	650	100
800	600/800	40	650	100
800	600/800	35	650	100
800	600/800	30	650	100
800	600/800	25	650	100
800	600/800	15	650	100

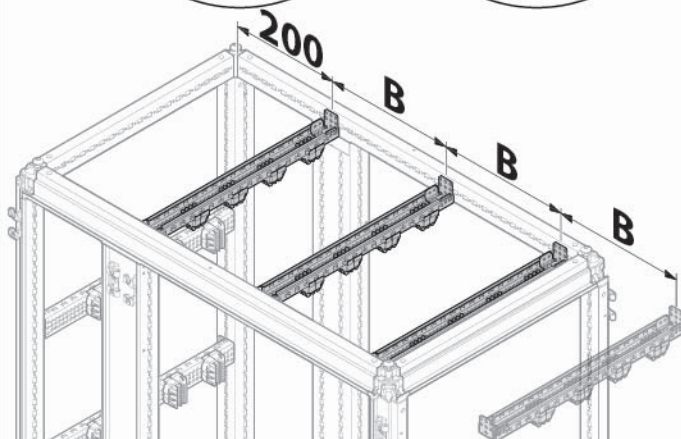
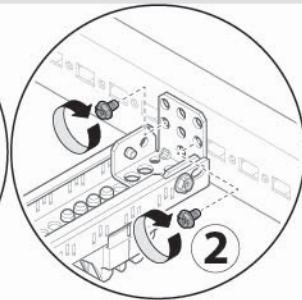
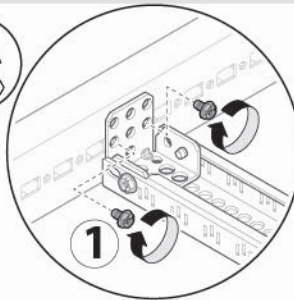
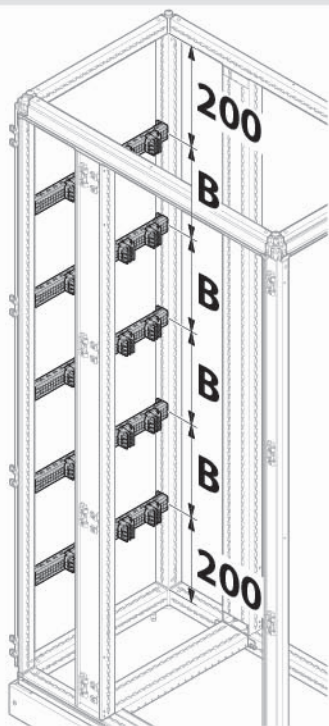
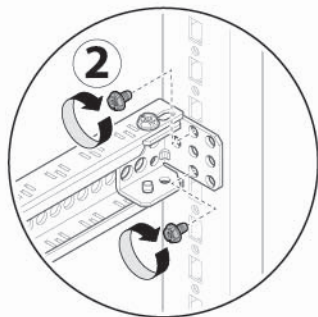
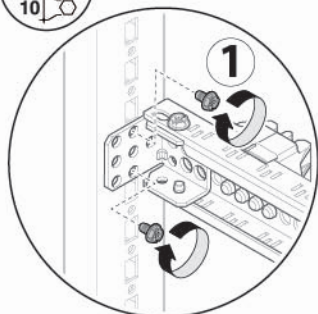
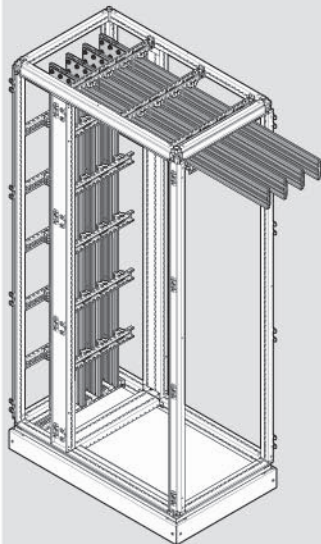


	Z
UC300BB	300
UC400BB (*)	400
UC500BB	500
UC600BB (*)	600
UC700BB	700
UC800BB	800

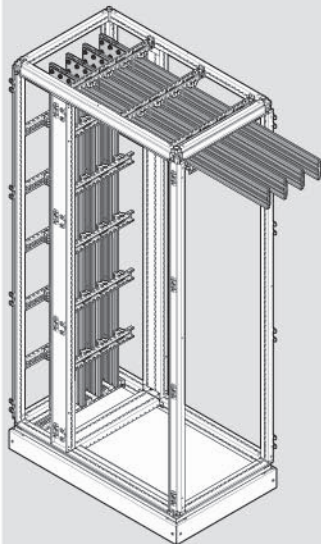
(\*) = FLIGHT SUPPORTS


UC825BB



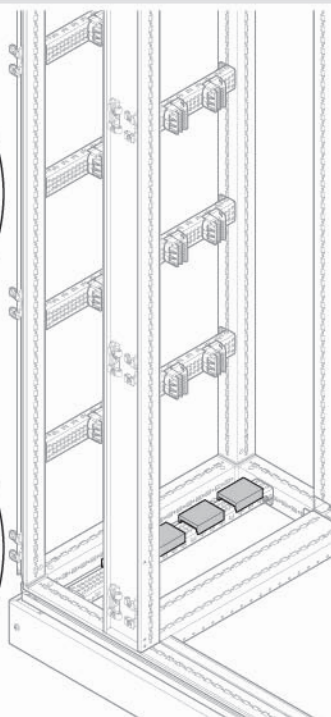
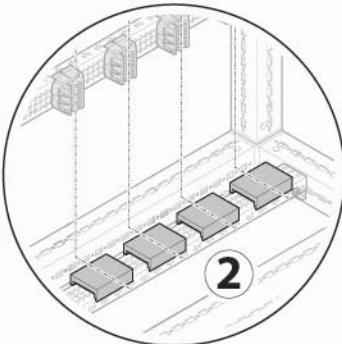
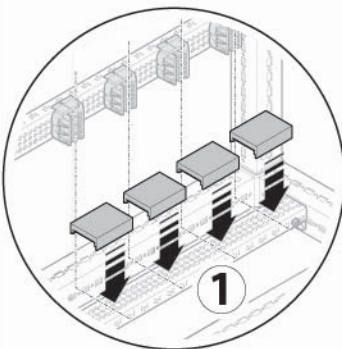
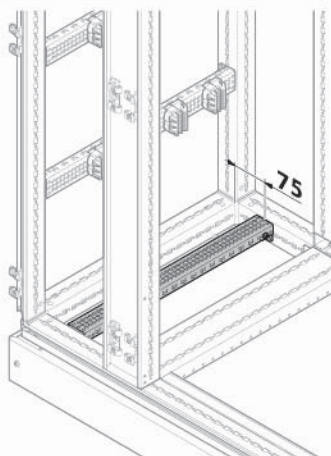
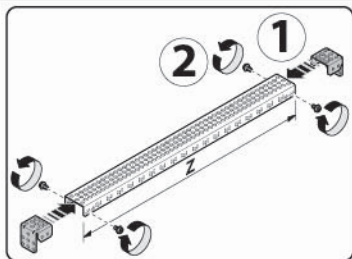
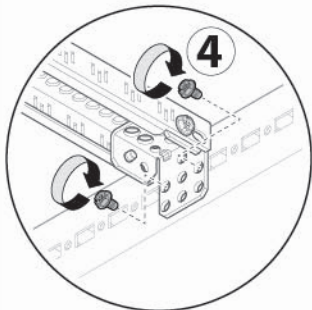
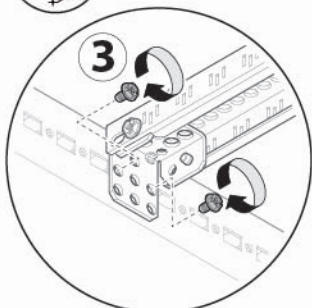


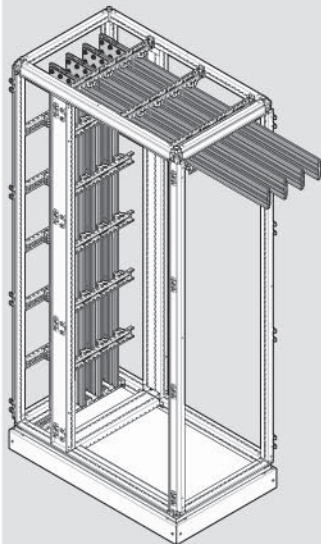




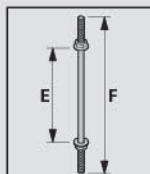
	In(A)	L
UC918800AL	800	1800
UC918125AL	1250	1800
UC918160AL	1600	1800
UC920800AL	800	2000
UC920125AL	1250	2000
UC920160AL	1600	2000

UC000BB

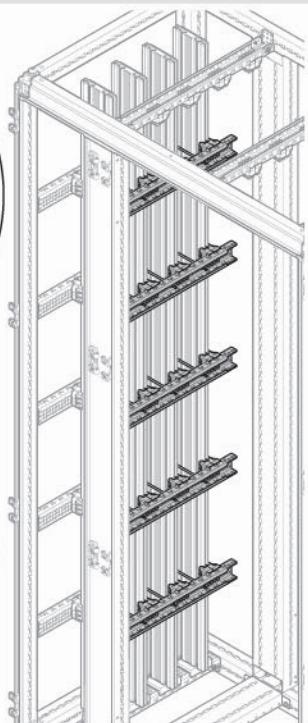
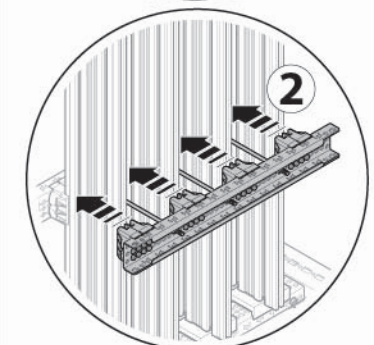
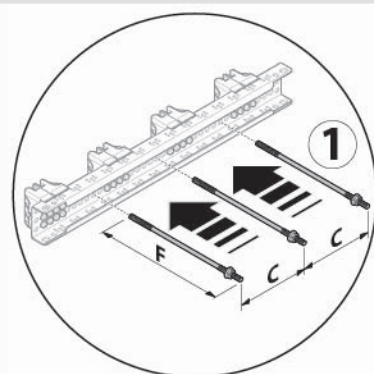
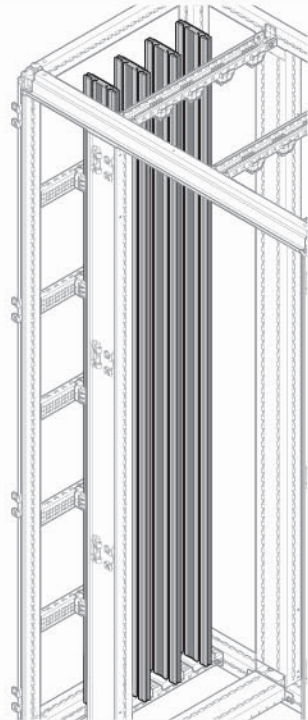
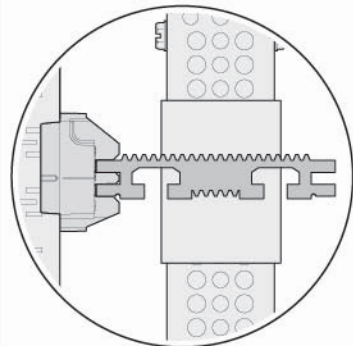
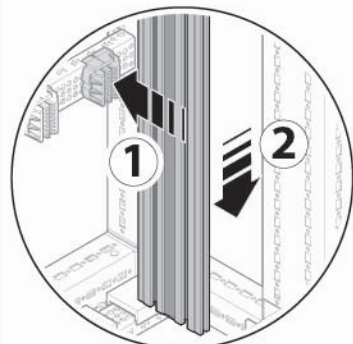


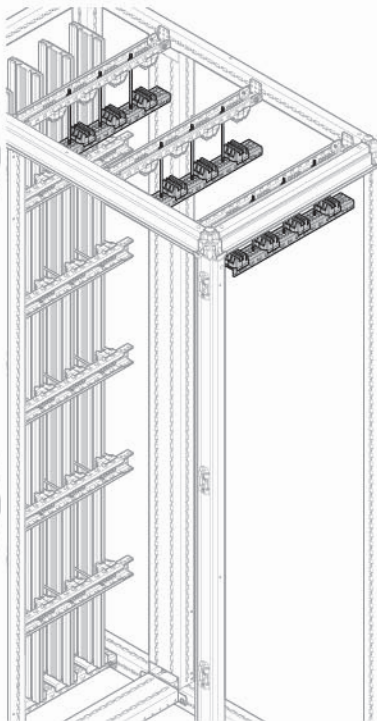
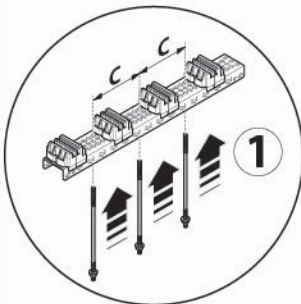
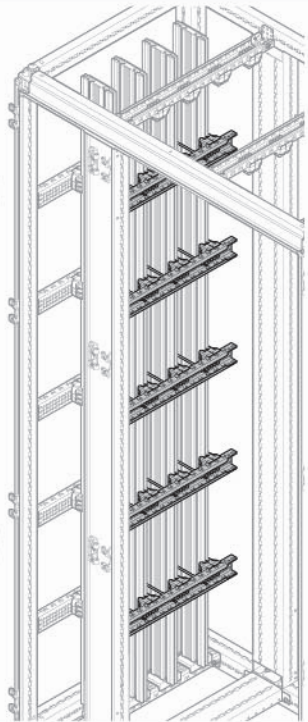
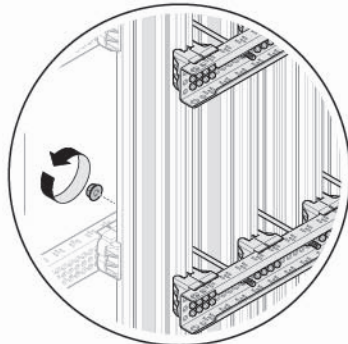
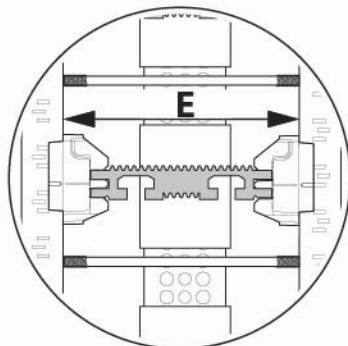
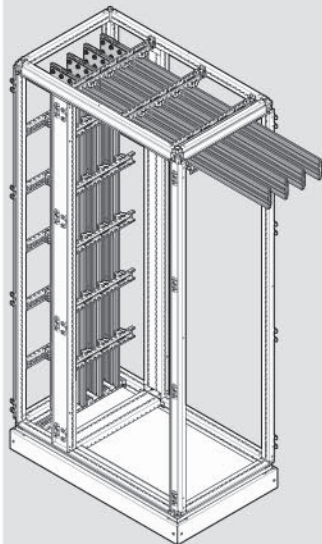


**UC825BB**

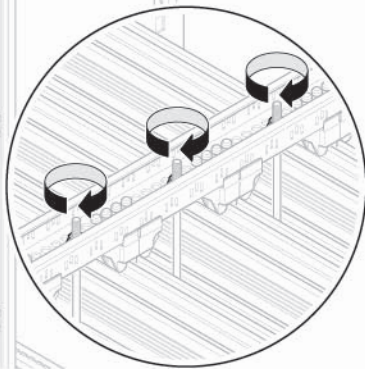
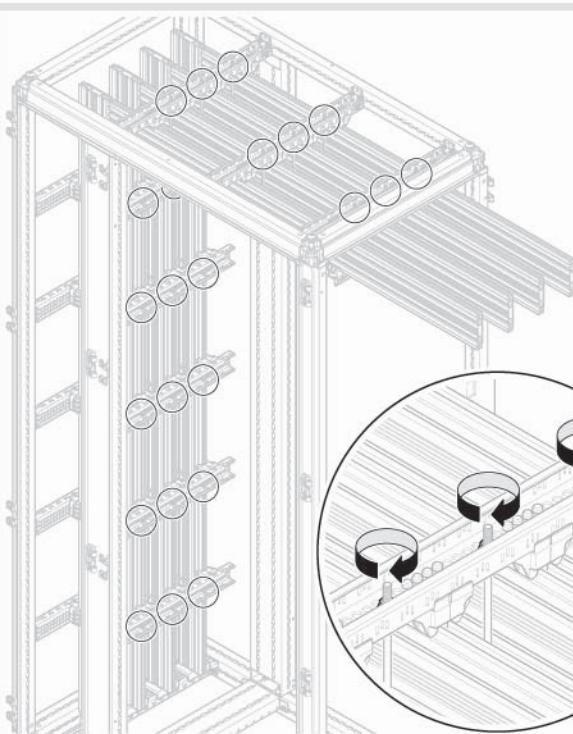
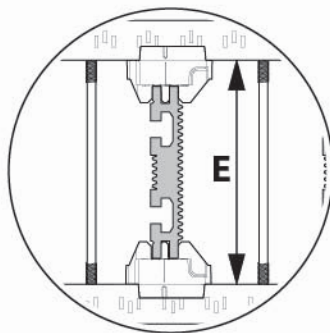
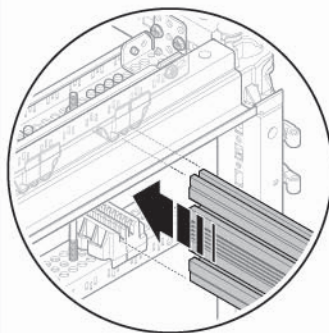
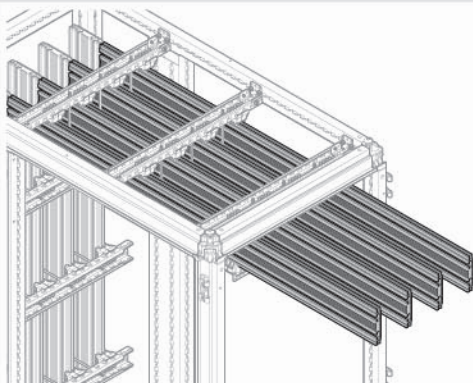
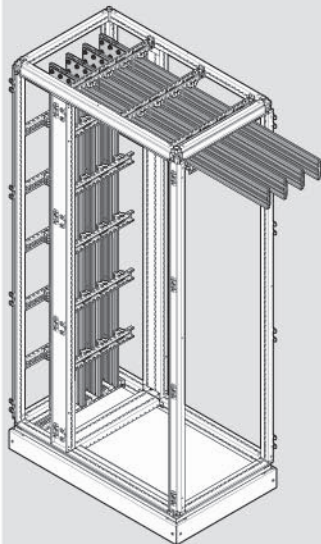


In	E	F
≤ 1250 A	80	125
> 1250 A	105	175

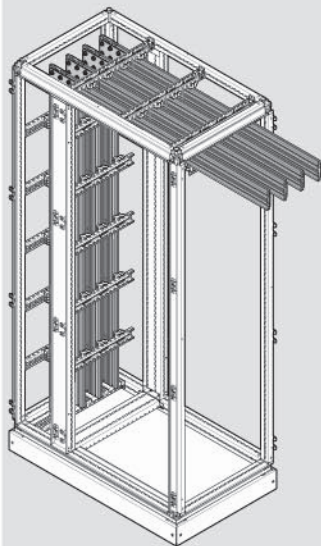





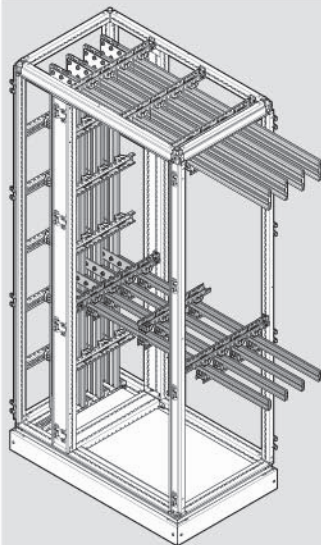
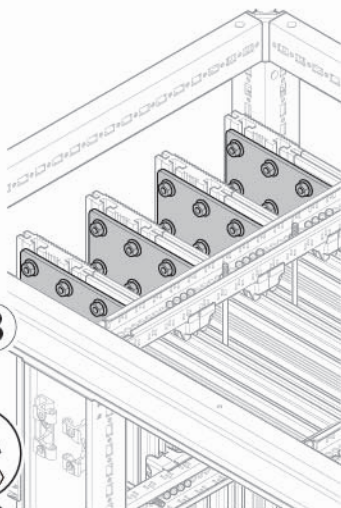
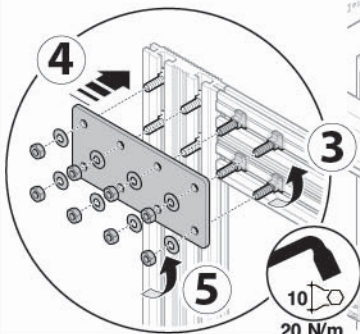
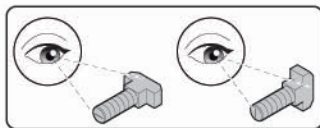
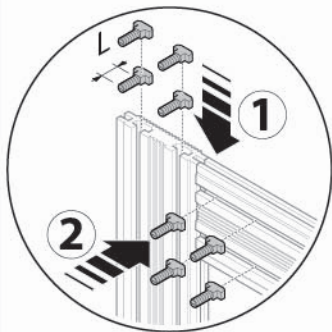





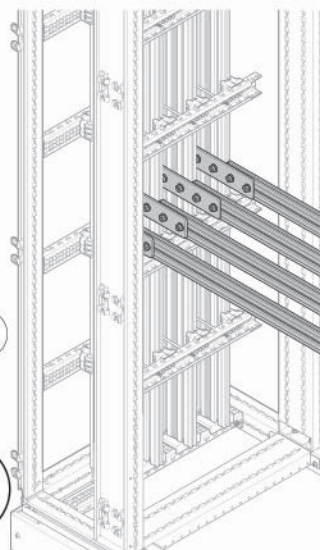
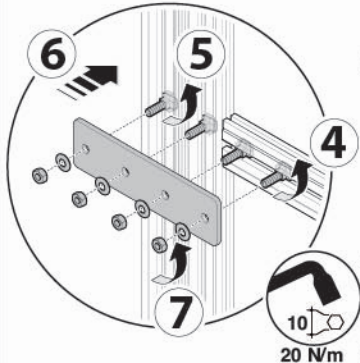
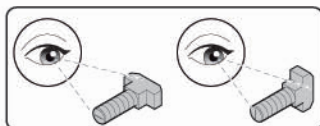
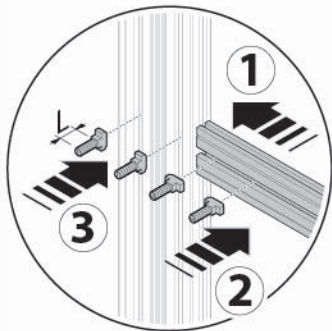


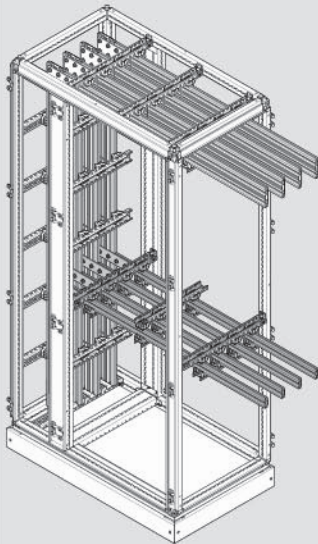


	L
UC9825S	25
UC9840S	40

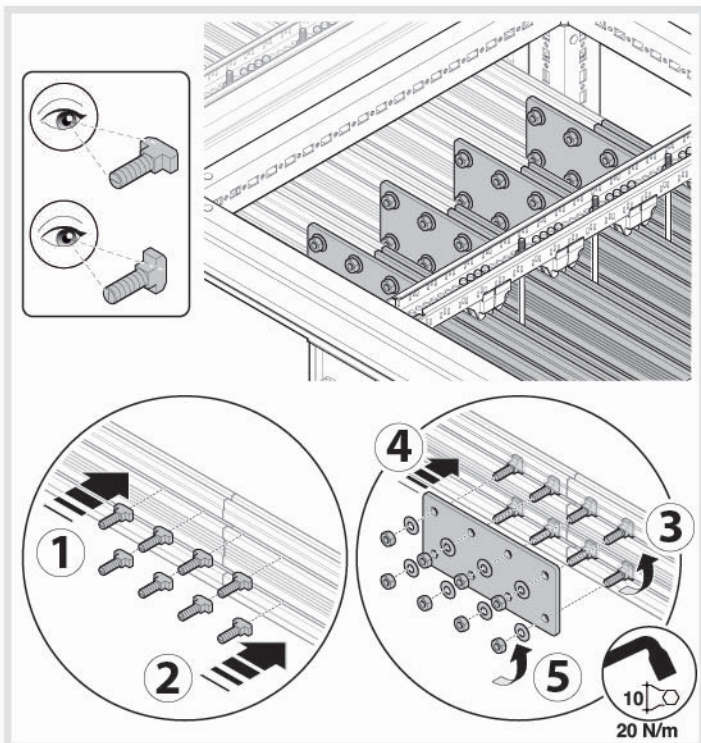
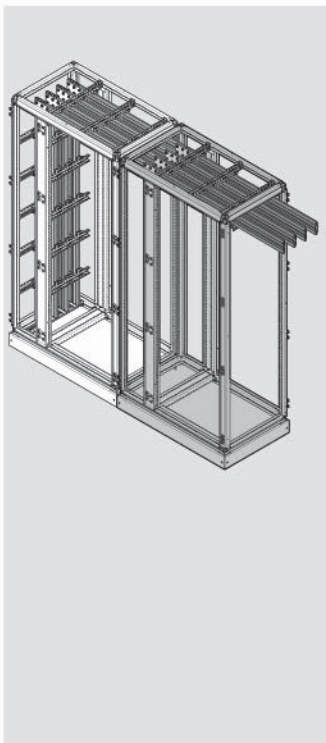
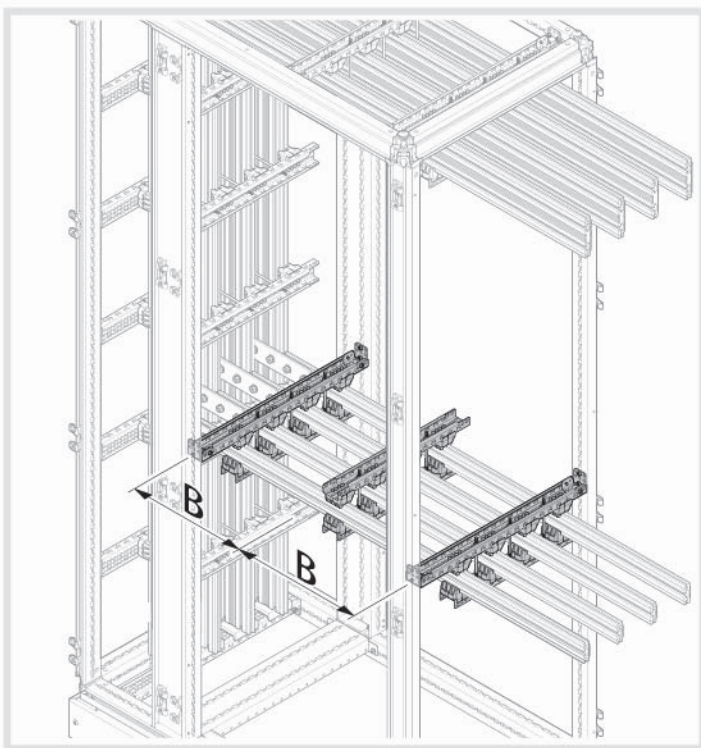
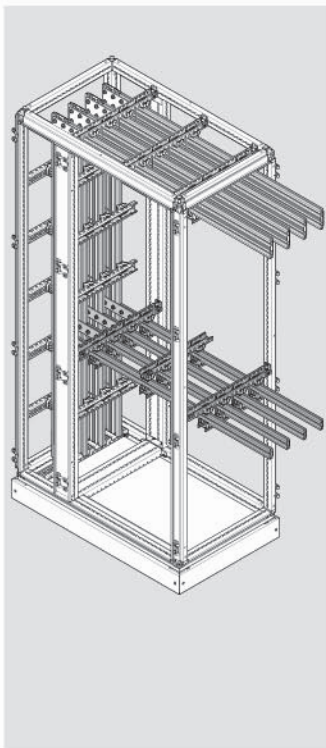


	L
UC9825S	25
UC9840S	40

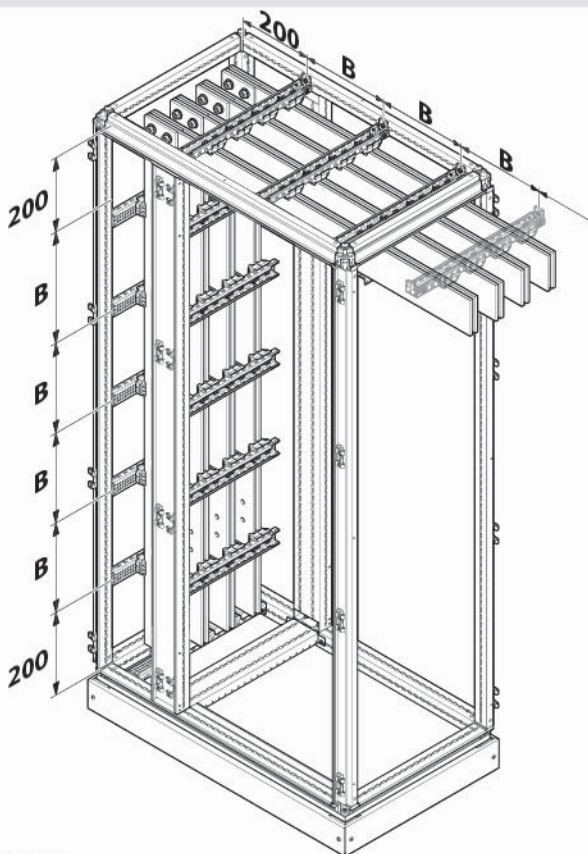
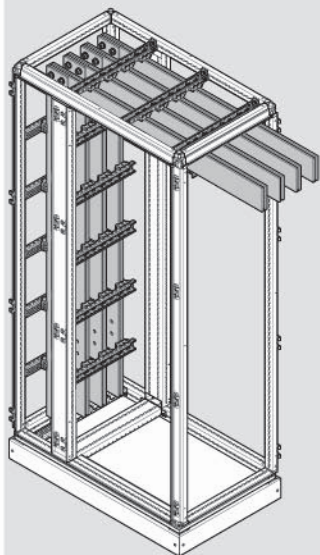




Main Busbar In IP31/IP55	Enclosure Depth = D	lcw 1s/kA	B mm max	C mm min	Secondary Busbar In IP31/IP55	lcw 1s/kA	B mm max	C mm min	Secondary Busbar In IP31/IP55	lcw 1s/kA	B mm max	C mm min	Secondary Busbar In IP31/IP55	lcw 1s/kA	B mm max	C mm min
1600	400	70	250	70	1600	65	275	70	x	x	x	70	x	x	x	x
1600	400	65	450	70	1600	52	450	70	1250	52	375	70	x	x	x	x
1600	400	40	650	70	1600	40	650	70	1250	40	650	70	800	x	650	70
1600	400	35	650	70	1600	35	650	70	1250	35	650	70	800	x	650	70
1600	400	30	650	70	1600	30	650	70	1250	30	650	70	800	x	650	70
1600	400	25	650	70	1600	25	650	70	1250	25	650	70	800	x	650	70
1600	400	15	650	70	1600	15	650	70	1250	15	650	70	800	x	650	70
1250	400	52	375	70	x	x	x	x	1250	52	375	70	x	x	x	x
1250	400	40	650	70	x	x	x	x	1250	40	650	70	800	x	650	70
1250	400	35	650	70	x	x	x	x	1250	35	650	70	800	x	650	70
1250	400	30	650	70	x	x	x	x	1250	30	650	70	800	x	650	70
1250	400	13	650	70	x	x	x	x	1250	13	650	70	800	x	650	70
800	400	40	650	70	x	x	x	x	x	x	x	70	x	x	650	70
800	400	35	650	70	x	x	x	x	x	x	x	70	x	x	650	70
800	400	25	650	70	x	x	x	x	x	x	x	70	x	x	650	70
800	400	15	650	70	x	x	x	x	x	x	x	70	x	x	650	70
1600	600/800	70	350	100	1600	70	350	100	x	x	x	100	x	x	x	x
1600	600/800	65	400	100	1600	65	400	100	x	x	x	100	x	x	x	x
1600	600/800	52	625	100	1600	52	625	100	1250	52	550	100	x	x	x	x
1600	600/800	40	650	100	1600	40	650	100	1250	40	650	100	800	x	650	100
1600	600/800	35	650	100	1600	35	650	100	1250	35	650	100	800	x	650	100
1600	600/800	30	650	100	1600	30	650	100	1250	30	650	100	800	x	650	100
1600	600/800	25	650	100	1600	25	650	100	1250	25	650	100	800	x	650	100
1600	600/800	15	650	100	1600	15	650	100	1250	15	650	100	800	x	650	100
1250	600/800	52	550	100	1600	52	550	100	1250	52	550	100	x	x	x	x
1250	600/800	40	650	100	x	x	x	x	1250	40	650	100	800	x	650	100
1250	600/800	35	650	100	x	x	x	x	1250	35	650	100	800	x	650	100
1250	600/800	25	650	100	x	x	x	x	1250	25	650	100	800	x	650	100
1250	600/800	15	650	100	x	x	x	x	1250	15	650	100	800	x	650	100
800	600/800	40	650	100	x	x	x	x	x	x	x	100	x	x	650	100
800	600/800	35	650	100	x	x	x	x	x	x	x	100	x	x	650	100
800	600/800	25	650	100	x	x	x	x	x	x	x	100	x	x	650	100
800	600/800	15	650	100	x	x	x	x	x	x	x	100	x	x	650	100







Copper Busbar

Current IP31	Current IP55	Enclosure depth = D	Cross section / mm	lcw 1s / kA	B mm MAX	C mm MIN
500	500	400	50x5x1	40	225	70
500	500	400	50x5x1	35	225	70
500	500	400	50x5x1	30	225	70
500	500	400	50x5x1	25	275	70
500	500	400	50x5x1	15	475	70
630	630	400	63x5x1	52	225	70
630	630	400	63x5x1	40	225	70
630	630	400	63x5x1	35	225	70
630	630	400	63x5x1	30	250	70
630	630	400	63x5x1	25	300	70
630	630	400	63x5x1	15	525	70
800	800	400	80x5x1	65	225	70
800	800	400	80x5x1	52	225	70
800	800	400	80x5x1	40	225	70
800	800	400	80x5x1	35	250	70
800	800	400	80x5x1	30	300	70
800	800	400	80x5x1	25	350	70
800	800	400	80x5x1	15	600	70
1000	1000	400	100x5x1	65	225	70
1000	1000	400	100x5x1	52	225	70
1000	1000	400	100x5x1	40	250	70
1000	1000	400	100x5x1	35	275	70
1000	1000	400	100x5x1	30	325	70
1000	1000	400	100x5x1	25	400	70
1000	1000	400	100x5x1	15	675	70
1250	1250	400	80x10x1	85	225	70
1250	1250	400	80x10x1	75	225	70
1250	1250	400	80x10x1	70	250	70
1250	1250	400	80x10x1	65	275	70
1250	1250	400	80x10x1	52	350	70
1250	1250	400	80x10x1	40	450	70
1250	1250	400	80x10x1	35	500	70
1250	1250	400	80x10x1	30	600	70
1250	1250	400	80x10x1	25	725	70
1250	1250	400	80x10x1	15	850	70

Current IP31	Current IP55	Enclosure depth = D	Cross section / mm	Icw 1s / kA	B mm MAX	C mm MIN
1600	1600	400	120x10x1	85	225	70
1600	1600	400	120x10x1	75	275	70
1600	1600	400	120x10x1	70	300	70
1600	1600	400	120x10x1	65	325	70
1600	1600	400	120x10x1	52	425	70
1600	1600	400	120x10x1	40	550	70
1600	1600	400	120x10x1	35	625	70
1600	1600	400	120x10x1	30	725	70
1600	1600	400	120x10x1	25	850	70
1600	1600	400	120x10x1	15	850	70

630	630	600	63x5x1	52	225	100
630	630	600	63x5x1	40	250	100
630	630	600	63x5x1	35	300	100
630	630	600	63x5x1	30	350	100
630	630	600	63x5x1	25	427	100
630	630	600	63x5x1	15	700	100

800	800	600	80x5x1	65	225	100
800	800	600	80x5x1	52	225	100
800	800	600	80x5x1	40	300	100
800	800	600	80x5x1	35	325	100
800	800	600	80x5x1	30	400	100
800	800	600	80x5x1	25	475	100
800	800	600	80x5x1	15	800	100

1000	1000	600	100x5x1	85	225	100
1000	1000	600	100x5x1	75	225	100
1000	1000	600	100x5x1	70	225	100
1000	1000	600	100x5x1	65	225	100
1000	1000	600	100x5x1	52	250	100
1000	1000	600	100x5x1	40	325	100
1000	1000	600	100x5x1	35	375	100
1000	1000	600	100x5x1	30	450	100
1000	1000	600	100x5x1	25	525	100
1000	1000	600	100x5x1	15	850	100

1250	1250	600	80x10x1	85	300	100
1250	1250	600	80x10x1	75	325	100
1250	1250	600	80x10x1	70	325	100
1250	1250	600	80x10x1	65	375	100
1250	1250	600	80x10x1	52	450	100
1250	1250	600	80x10x1	40	600	100
1250	1250	600	80x10x1	35	675	100
1250	1250	600	80x10x1	30	800	100
1250	1250	600	80x10x1	25	850	100
1250	1250	600	80x10x1	15	850	100

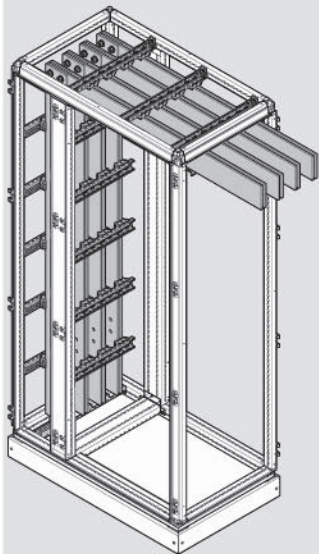
1600	1600	600	120x10x1	85	350	100
1600	1600	600	120x10x1	75	375	100
1600	1600	600	120x10x1	70	375	100
1600	1600	600	120x10x1	65	450	100
1600	1600	600	120x10x1	52	575	100
1600	1600	600	120x10x1	40	725	100
1600	1600	600	120x10x1	35	850	100
1600	1600	600	120x10x1	30	850	100
1600	1600	600	120x10x1	25	850	100
1600	1600	600	120x10x1	15	850	100


2000	1700	800	80x10x2	85	325	125
2000	1700	800	80x10x2	75	325	125
2000	1700	800	80x10x2	70	350	125
2000	1700	800	80x10x2	65	375	125
2000	1700	800	80x10x2	52	475	125
2000	1700	800	80x10x2	40	625	125
2000	1700	800	80x10x2	35	700	125
2000	1700	800	80x10x2	30	825	125
2000	1700	800	80x10x2	25	850	125
2000	1700	800	80x10x2	15	850	125

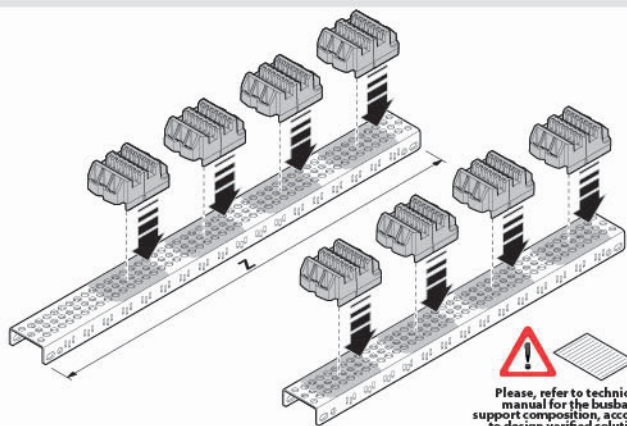
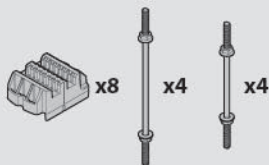
2500	2125	800	100x10x2	85	325	150
2500	2125	800	100x10x2	75	375	150
2500	2125	800	100x10x2	70	400	150
2500	2125	800	100x10x2	65	450	150
2500	2125	800	100x10x2	52	550	150
2500	2125	800	100x10x2	40	725	150
2500	2125	800	100x10x2	35	825	150
2500	2125	800	100x10x2	30	850	150
2500	2125	800	100x10x2	25	850	150
2500	2125	800	100x10x2	15	850	150

3200	2720	800	100x10x3	85	400	150
3200	2720	800	100x10x3	75	475	150
3200	2720	800	100x10x3	70	476	150
3200	2720	800	100x10x3	65	550	150
3200	2720	800	100x10x3	52	675	150
3200	2720	800	100x10x3	40	850	150
3200	2720	800	100x10x3	35	850	150
3200	2720	800	100x10x3	30	851	150
3200	2720	800	100x10x3	25	852	150
3200	2720	800	100x10x3	15	853	150

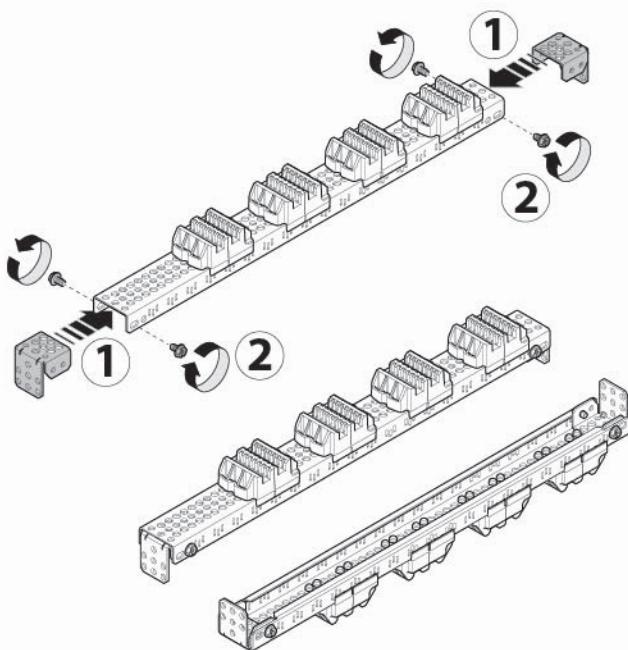
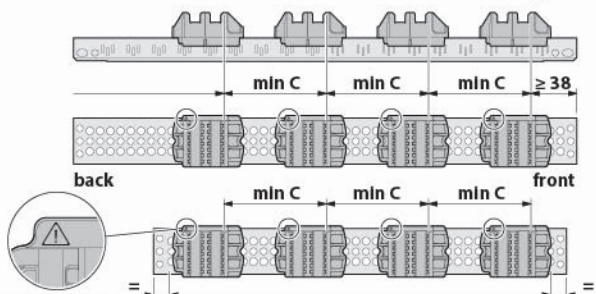
4000	3400	800	120x10x3	85	400	150
4000	3400	800	120x10x3	75	525	150
4000	3400	800	120x10x3	70	575	150
4000	3400	800	120x10x3	65	625	150
4000	3400	800	120x10x3	52	775	150
4000	3400	800	120x10x3	40	850	150
4000	3400	800	120x10x3	35	850	150
4000	3400	800	120x10x3	30	850	150
4000	3400	800	120x10x3	25	850	150
4000	3400	800	120x10x3	15	850	150



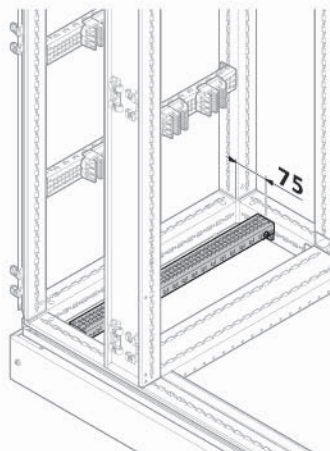
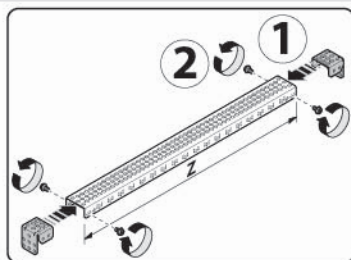
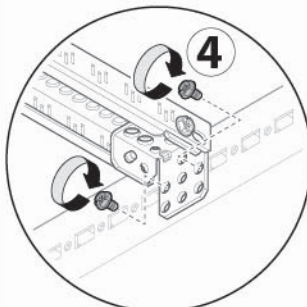
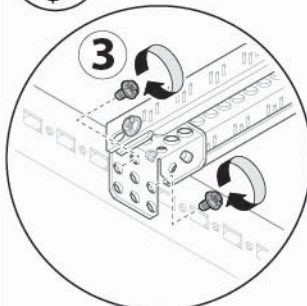
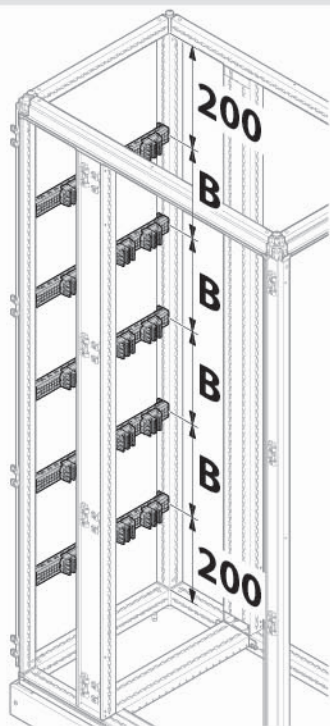
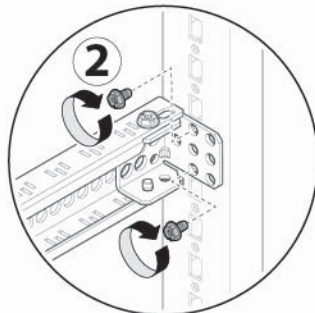
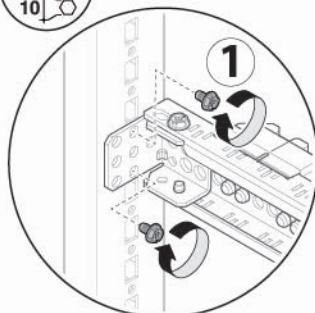
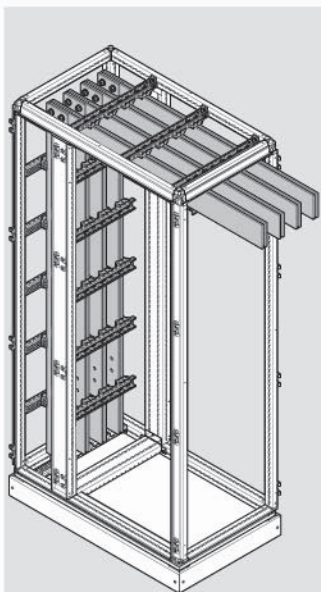
	Nxth
UC825BB	2x5
UC8110BB	1x10
UC8210BB	2x10
UC8310BB	3x10

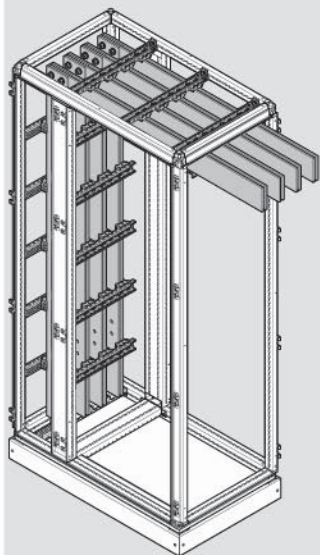


   
 Please, refer to technical support manual for the busbar support composition, according to design verified solution.

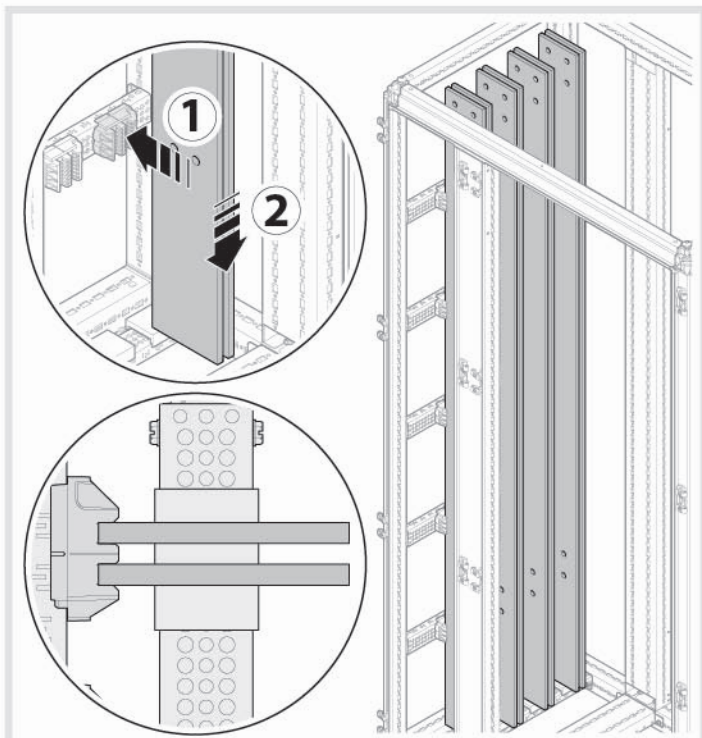
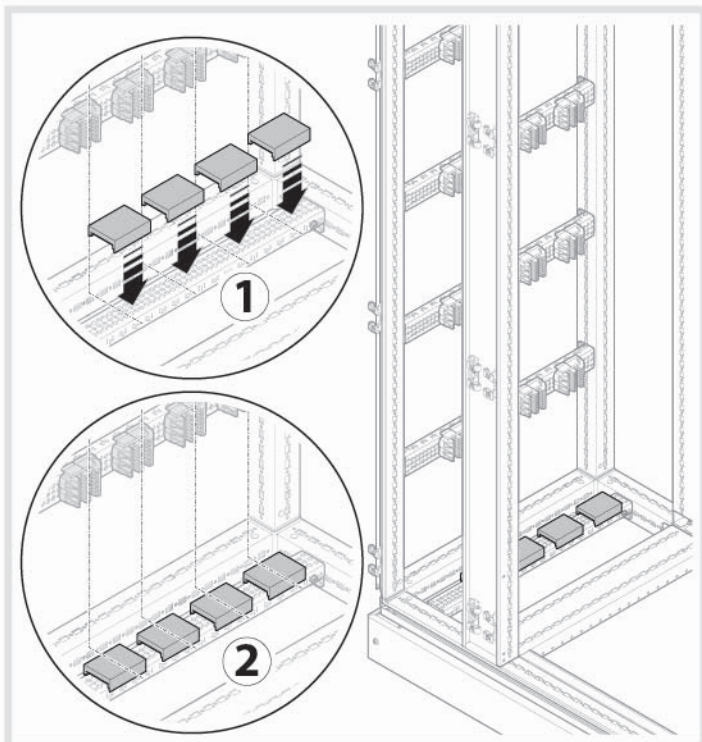


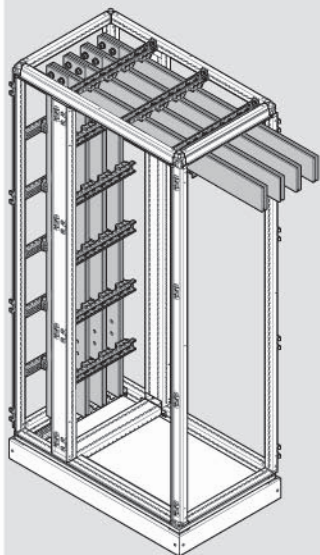


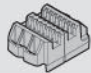


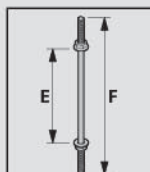
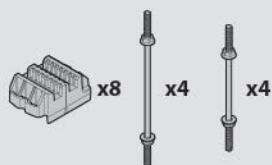


UC000BB

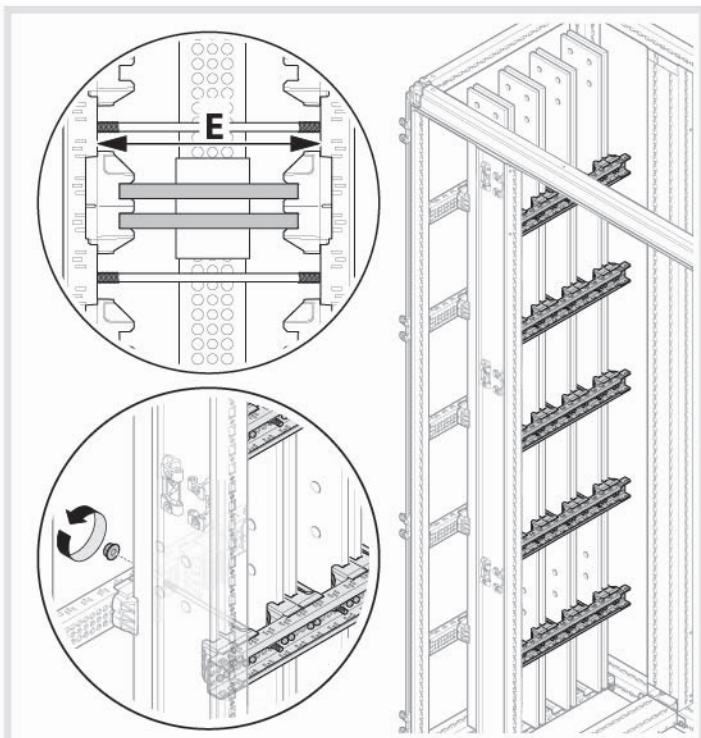
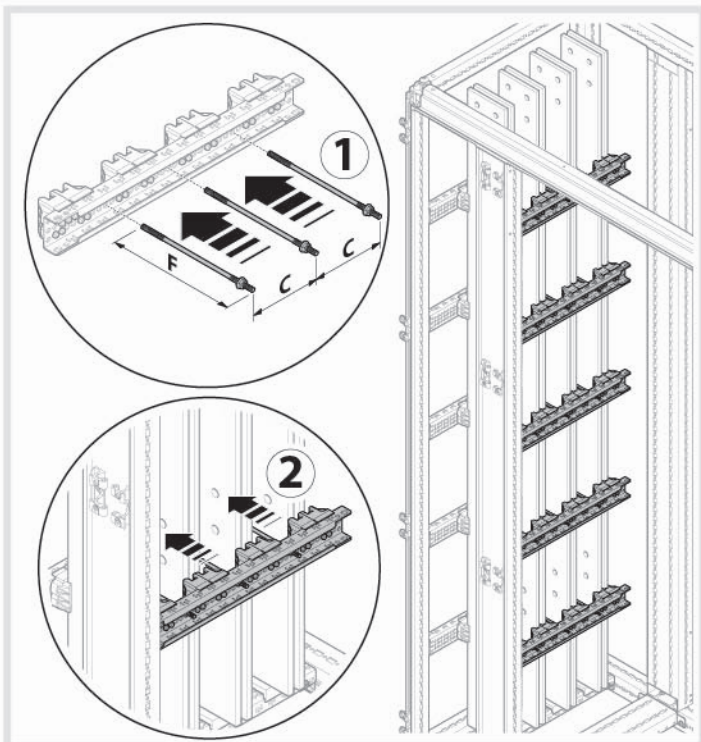




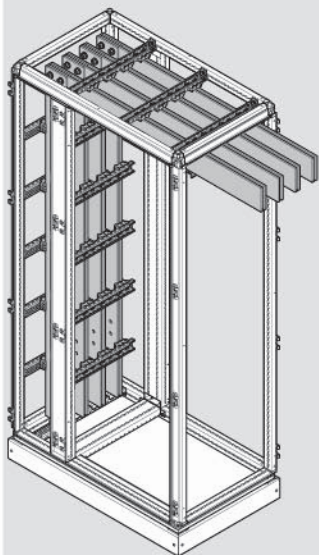
	Nxth
UC825BB	2x5
UC8110BB	1x10
UC8210BB	2x10
UC8310BB	3x10




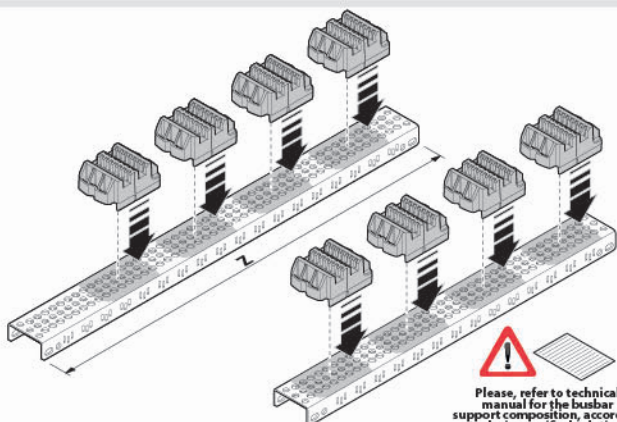
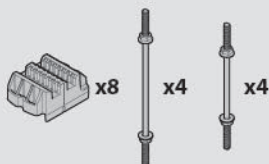
In	E	F
≤ 1250 A	80	125
> 1250 A	105	175



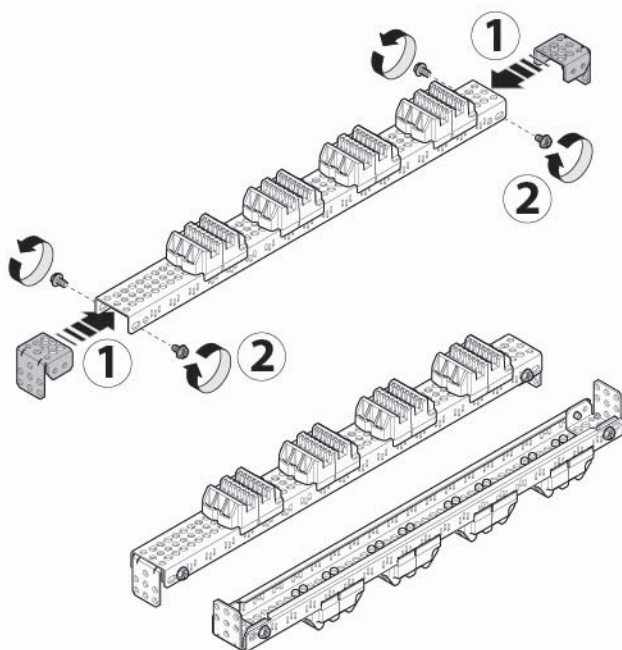
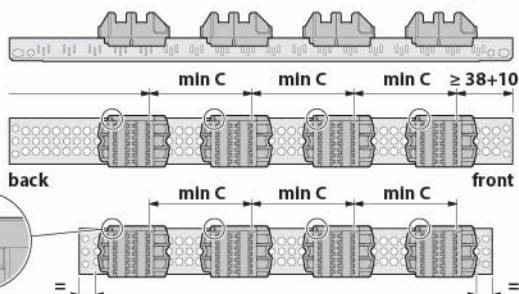


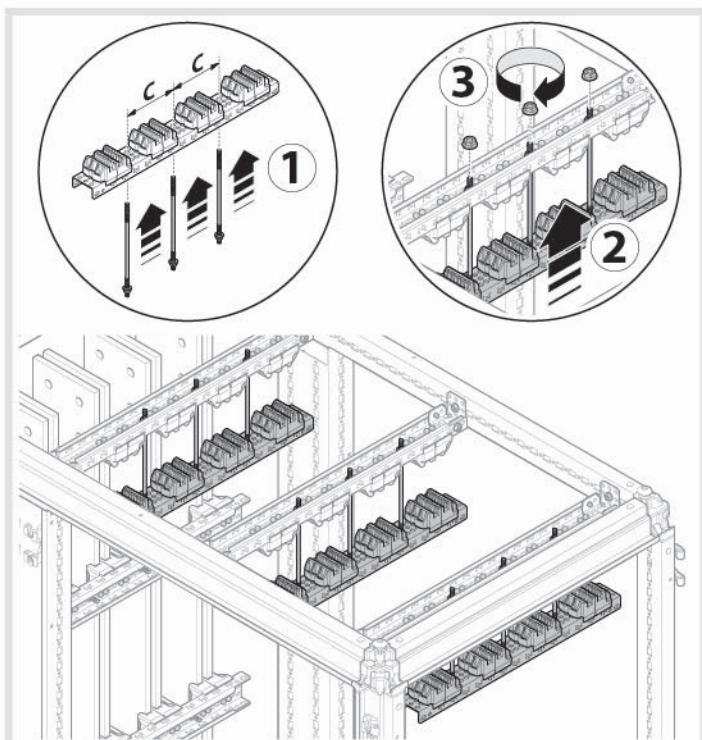
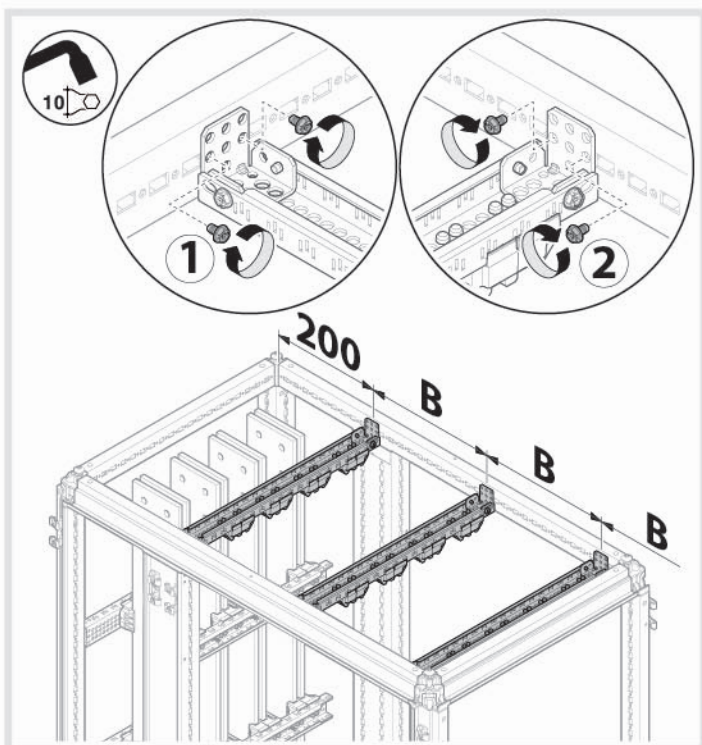
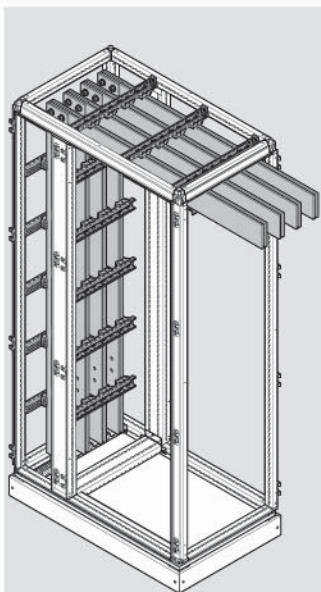


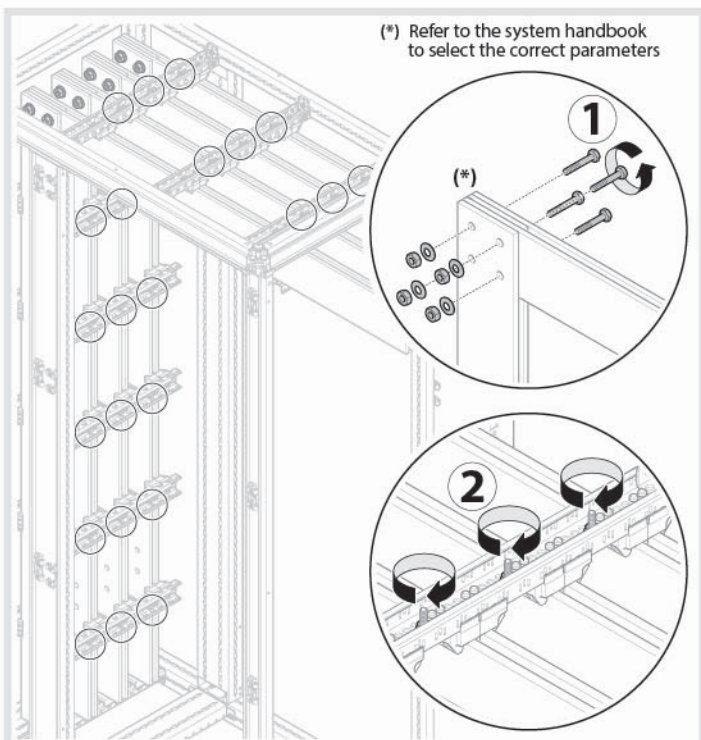
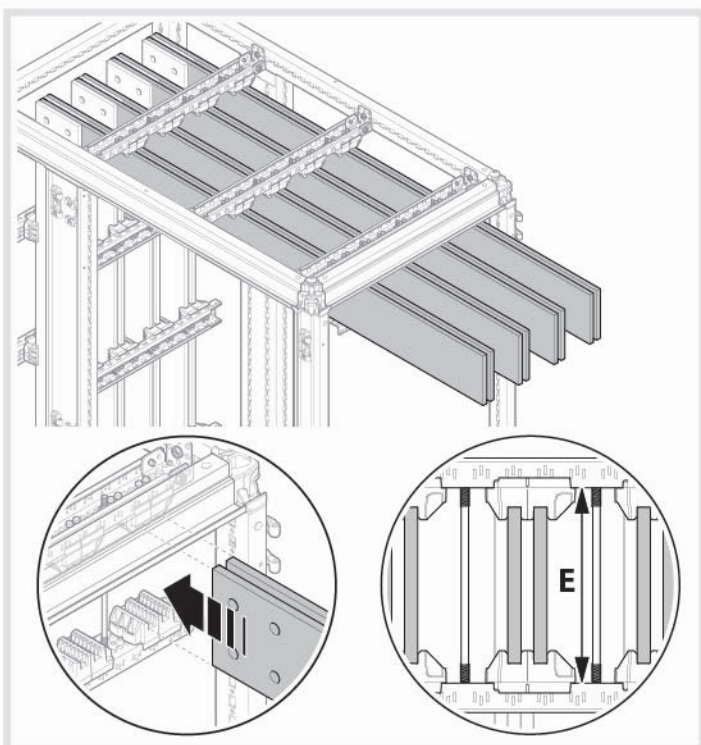
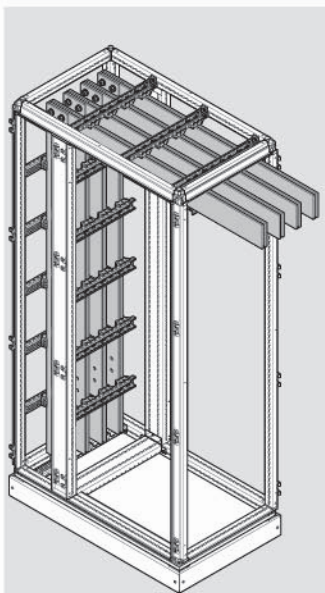
	Nxth
UC825BB	2x5
UC8110BB	1x10
UC8210BB	2x10
UC8310BB	3x10



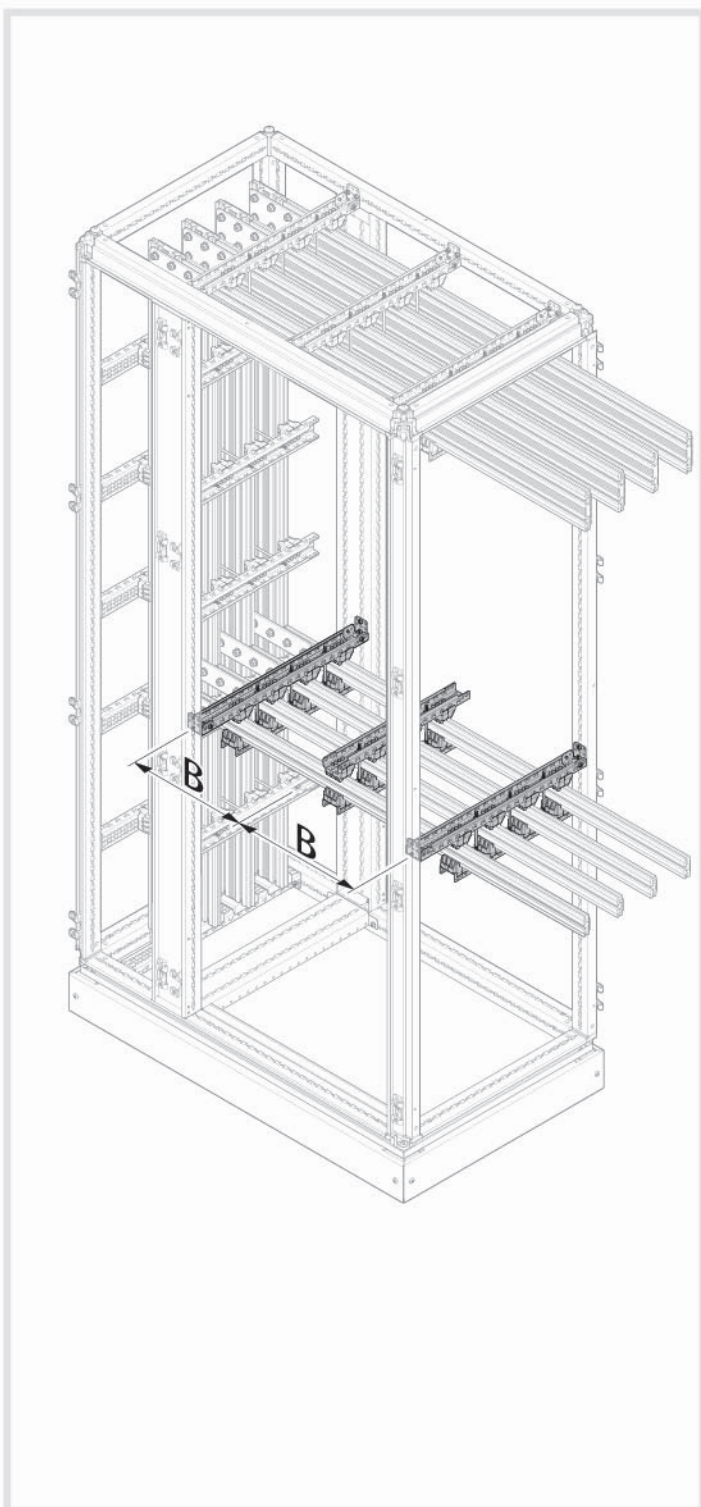
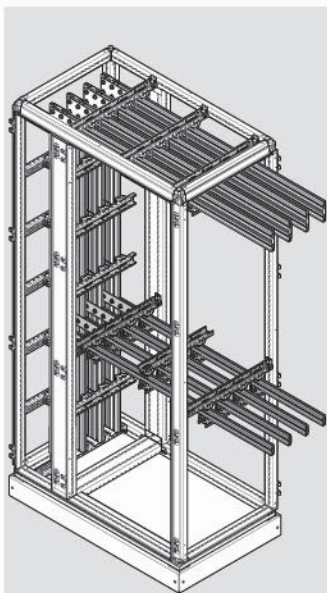
**!**  
Please, refer to technical support manual for the busbar support composition, according to design verified solution.

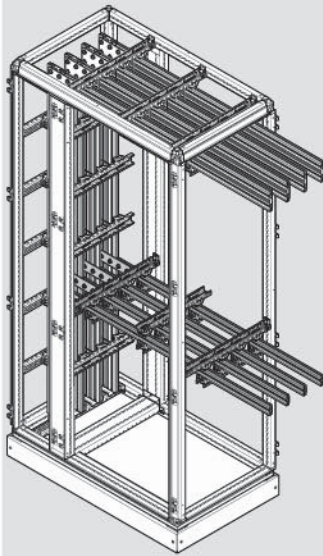












**ALUMINUM SECONDARY BUSBAR**

**COPPER MAIN BUSBAR**

Main Busbar Current (P1)	Main Busbar End-use depth=D	Cross section/mm	kw 15/1A	Cmm MIN	Secondary Busbar #P1/P55		Secondary Busbar #P1/P55 15/1A		Secondary Busbar #P1/P55 15/1A		Secondary Busbar #P1/P55 15/1A	
					for 15/1A	B mm MAX	Cmm MIN	for 15/1A	B mm MAX	Cmm MIN	for 15/1A	B mm MAX
500	400	50x5x1	40	70	X	X	X	X	X	X	X	X
500	400	50x5x1	40	70	X	X	X	X	X	X	X	X
500	400	50x5x1	40	70	X	X	X	X	X	X	X	X
500	400	50x5x1	40	70	X	X	X	X	X	X	X	X
500	400	50x5x1	25	275	X	X	X	X	X	X	X	X
500	400	50x5x1	15	475	X	X	X	X	X	X	X	X
630	400	63x5x1	52	225	X	X	X	X	X	X	X	X
630	400	63x5x1	40	225	X	X	X	X	X	X	X	X
630	400	63x5x1	35	225	X	X	X	X	X	X	X	X
630	400	63x5x1	30	270	X	X	X	X	X	X	X	X
630	400	63x5x1	25	300	X	X	X	X	X	X	X	X
630	400	63x5x1	15	525	X	X	X	X	X	X	X	X
800	400	80x5x1	65	225	X	X	X	X	X	X	X	X
800	400	80x5x1	52	225	X	X	X	X	X	X	X	X
800	400	80x5x1	40	225	X	X	X	X	X	X	X	X
800	400	80x5x1	35	250	X	X	X	X	X	X	X	X
800	400	80x5x1	30	300	X	X	X	X	X	X	X	X
800	400	80x5x1	25	350	X	X	X	X	X	X	X	X
800	400	80x5x1	15	550	X	X	X	X	X	X	X	X
1000	400	100x5x1	52	225	X	X	X	X	X	X	X	X
1000	400	100x5x1	40	250	X	X	X	X	X	X	X	X
1000	400	100x5x1	35	275	X	X	X	X	X	X	X	X
1000	400	100x5x1	30	325	X	X	X	X	X	X	X	X
1000	400	100x5x1	25	400	X	X	X	X	X	X	X	X
1000	400	100x5x1	15	675	X	X	X	X	X	X	X	X
1250	400	80x10x1	65	225	X	X	X	X	X	X	X	X
1250	400	80x10x1	52	225	X	X	X	X	X	X	X	X
1250	400	80x10x1	40	250	X	X	X	X	X	X	X	X
1250	400	80x10x1	35	275	X	X	X	X	X	X	X	X
1250	400	80x10x1	30	325	X	X	X	X	X	X	X	X
1250	400	80x10x1	25	400	X	X	X	X	X	X	X	X
1250	400	80x10x1	15	675	X	X	X	X	X	X	X	X
1250	400	80x10x1	65	225	X	X	X	X	X	X	X	X
1250	400	80x10x1	52	225	X	X	X	X	X	X	X	X
1250	400	80x10x1	40	250	X	X	X	X	X	X	X	X
1250	400	80x10x1	35	275	X	X	X	X	X	X	X	X
1250	400	80x10x1	30	325	X	X	X	X	X	X	X	X
1250	400	80x10x1	25	400	X	X	X	X	X	X	X	X
1250	400	80x10x1	15	675	X	X	X	X	X	X	X	X
1250	400	80x10x1	65	225	X	X	X	X	X	X	X	X
1250	400	80x10x1	52	225	X	X	X	X	X	X	X	X
1250	400	80x10x1	40	250	X	X	X	X	X	X	X	X
1250	400	80x10x1	35	275	X	X	X	X	X	X	X	X
1250	400	80x10x1	30	325	X	X	X	X	X	X	X	X
1250	400	80x10x1	25	400	X	X	X	X	X	X	X	X
1250	400	80x10x1	15	675	X	X	X	X	X	X	X	X
1600	400	120x10x1	82	225	X	X	X	X	X	X	X	X
1600	400	120x10x1	75	275	X	X	X	X	X	X	X	X
1600	400	120x10x1	70	300	X	X	X	X	X	X	X	X
1600	400	120x10x1	65	325	X	X	X	X	X	X	X	X
1600	400	120x10x1	52	425	X	X	X	X	X	X	X	X
1600	400	120x10x1	40	550	X	X	X	X	X	X	X	X
1600	400	120x10x1	35	600	X	X	X	X	X	X	X	X
1600	400	120x10x1	30	725	X	X	X	X	X	X	X	X
1600	400	120x10x1	25	850	X	X	X	X	X	X	X	X
1600	400	120x10x1	15	850	X	X	X	X	X	X	X	X

## ALUMINIUM SECONDARY BUSBAR

## COPPER MAIN BUSBAR

Main Current (P31)	Main Busbar Endurance (P31)	Min Busbar Current (P31)	Enclosure depth = D	Cross section/mm <sup>2</sup>	low 1s/1A	MAX	CUM MIN	Secondary IP31/IP55	low 1s/1A	Barr MAX	CUM MIN	Secondary IP31/IP55	low 1s/1A	Barr MAX	CUM MIN	Secondary IP31/IP55	low 1s/1A	Barr MAX	CUM MIN	Secondary IP31/IP55	low 1s/1A	Barr MAX	CUM MIN
630	600	600	63x5x1	52	225	100	100	x	x	x	x	x	x	x	x	800	40	300	x	x	x	x	x
630	600	600	63x5x1	40	250	100	100	x	x	x	x	x	x	x	x	800	35	300	125	125	125	125	125
630	600	600	63x5x1	30	330	100	100	x	x	x	x	x	x	x	x	800	30	300	125	125	125	125	125
630	600	600	63x5x1	25	427	100	100	x	x	x	x	x	x	x	x	800	25	300	125	125	125	125	125
630	600	600	63x5x1	15	700	100	100	x	x	x	x	x	x	x	x	800	15	300	125	125	125	125	125
800	800	600	80x5x1	65	225	100	100	x	x	x	x	x	x	x	x	x	x	x	x	x	x	x	x
800	800	600	80x5x1	52	225	100	100	x	x	x	x	x	x	x	x	800	40	300	125	125	125	125	125
800	800	600	80x5x1	40	300	100	100	x	x	x	x	x	x	x	x	800	35	300	125	125	125	125	125
800	800	600	80x5x1	35	325	100	100	x	x	x	x	x	x	x	x	800	30	300	125	125	125	125	125
800	800	600	80x5x1	30	420	100	100	x	x	x	x	x	x	x	x	800	25	300	125	125	125	125	125
800	800	600	80x5x1	25	475	100	100	x	x	x	x	x	x	x	x	800	20	300	125	125	125	125	125
800	800	600	80x5x1	15	800	100	100	x	x	x	x	x	x	x	x	800	15	300	125	125	125	125	125
1000	1000	600	100x5x1	85	225	100	100	x	x	x	x	x	x	x	x	x	x	x	x	x	x	x	x
1000	1000	600	100x5x1	75	225	100	100	x	x	x	x	x	x	x	x	x	x	x	x	x	x	x	x
1000	1000	600	100x5x1	70	225	100	100	x	x	x	x	x	x	x	x	x	x	x	x	x	x	x	x
1000	1000	600	100x5x1	65	225	100	100	x	x	x	x	x	x	x	x	x	x	x	x	x	x	x	x
1000	1000	600	100x5x1	52	250	100	100	x	x	x	x	x	x	x	x	800	40	300	125	125	125	125	125
1000	1000	600	100x5x1	40	325	100	100	x	x	x	x	x	x	x	x	800	35	300	125	125	125	125	125
1000	1000	600	100x5x1	35	375	100	100	x	x	x	x	x	x	x	x	800	30	300	125	125	125	125	125
1000	1000	600	100x5x1	30	450	100	100	x	x	x	x	x	x	x	x	800	25	300	125	125	125	125	125
1000	1000	600	100x5x1	25	525	100	100	x	x	x	x	x	x	x	x	800	20	300	125	125	125	125	125
1250	1250	600	100x5x1	15	850	100	100	x	x	x	x	x	x	x	x	800	15	300	125	125	125	125	125
1250	1250	600	80x10x1	85	300	100	100	x	x	x	x	x	x	x	x	x	x	x	x	x	x	x	x
1250	1250	600	80x10x1	75	325	100	100	x	x	x	x	x	x	x	x	x	x	x	x	x	x	x	x
1250	1250	600	80x10x1	65	375	100	100	x	x	x	x	x	x	x	x	x	x	x	x	x	x	x	x
1250	1250	600	80x10x1	52	450	100	100	x	x	x	x	x	x	x	x	1250	52	300	125	125	125	125	125
1250	1250	600	80x10x1	40	600	100	100	x	x	x	x	x	x	x	x	1250	40	300	125	125	125	125	125
1250	1250	600	80x10x1	35	675	100	100	x	x	x	x	x	x	x	x	1250	35	300	125	125	125	125	125
1250	1250	600	80x10x1	30	800	100	100	x	x	x	x	x	x	x	x	1250	30	300	125	125	125	125	125
1250	1250	600	80x10x1	25	850	100	100	x	x	x	x	x	x	x	x	1250	25	300	125	125	125	125	125
1250	1250	600	80x10x1	15	850	100	100	x	x	x	x	x	x	x	x	1250	15	300	125	125	125	125	125
1600	1600	600	120x10x1	85	350	100	100	x	x	x	x	x	x	x	x	x	x	x	x	x	x	x	x
1600	1600	600	120x10x1	75	375	100	100	x	x	x	x	x	x	x	x	x	x	x	x	x	x	x	x
1600	1600	600	120x10x1	70	375	100	100	1600	70	250	125	125	125	125	125	125	125	125	125	125	125	125	125
1600	1600	600	120x10x1	65	400	100	100	1600	65	250	125	125	125	125	125	125	125	125	125	125	125	125	125
1600	1600	600	120x10x1	52	575	100	100	1600	52	250	125	125	125	125	125	125	125	125	125	125	125	125	125
1600	1600	600	120x10x1	40	725	100	100	1600	40	250	125	125	125	125	125	125	125	125	125	125	125	125	125
1600	1600	600	120x10x1	35	850	100	100	1600	35	250	125	125	125	125	125	125	125	125	125	125	125	125	125
1600	1600	600	120x10x1	30	850	100	100	1600	30	250	125	125	125	125	125	125	125	125	125	125	125	125	125
1600	1600	600	120x10x1	25	850	100	100	1600	25	250	125	125	125	125	125	125	125	125	125	125	125	125	125
1600	1600	600	120x10x1	15	850	100	100	1600	15	250	125	125	125	125	125	125	125	125	125	125	125	125	125



COPPER MAIN BUSBAR										ALUMINIUM SECONDARY BUSBAR									
Main Busbar Current	Main Busbar Endorsement	Cross section	Low loss	R <sub>max</sub>	C <sub>min</sub>	Secondary Busbar Current	Low loss	R <sub>max</sub>	C <sub>min</sub>	Secondary Busbar Current	Low loss	R <sub>max</sub>	C <sub>min</sub>	Secondary Busbar Current	Low loss	R <sub>max</sub>	C <sub>min</sub>		
IP31	IP31	depth=D	1s/1kA	mm <sup>2</sup>	mm	IP31	1s/1kA	mm <sup>2</sup>	mm	IP31	1s/1kA	mm <sup>2</sup>	mm	IP31	1s/1kA	mm <sup>2</sup>	mm		
2000	1700	800	80x10x2	85	325	125	x	x	x	x	x	x	x	x	x	x	x	x	
2000	1700	800	80x10x2	75	325	125	x	x	x	x	x	x	x	x	x	x	x	x	
2000	1700	800	80x10x2	70	350	125	1600	70	250	125	x	x	x	x	x	x	x	x	
2000	1700	800	80x10x2	65	375	125	1600	65	250	125	x	x	x	x	x	x	x	x	
2000	1700	800	80x10x2	52	475	125	1600	52	250	125	1250	52	300	125	800	40	300	125	
2000	1700	800	80x10x2	40	625	125	1600	40	250	125	1250	40	300	125	800	30	300	125	
2000	1700	800	80x10x2	35	700	125	1600	35	250	125	1250	35	300	125	800	35	300	125	
2000	1700	800	80x10x2	30	825	125	1600	30	250	125	1250	30	300	125	800	30	300	125	
2000	1700	800	80x10x2	25	850	125	1600	25	250	125	1250	25	300	125	800	25	300	125	
2000	1700	800	80x10x2	15	850	125	1600	15	250	125	1250	15	300	125	800	15	300	125	
2500	2125	800	100x10x2	85	325	150	x	x	x	x	x	x	x	x	x	x	x	x	
2500	2125	800	100x10x2	75	375	150	x	x	x	x	x	x	x	x	x	x	x	x	
2500	2125	800	100x10x2	70	400	150	1600	70	250	150	x	x	x	x	x	x	x	x	
2500	2125	800	100x10x2	65	450	150	1600	65	250	150	x	x	x	x	x	x	x	x	
2500	2125	800	100x10x2	52	550	150	1600	52	250	150	1250	52	300	150	800	40	300	150	
2500	2125	800	100x10x2	40	725	150	1600	40	250	150	1250	40	300	150	800	30	300	150	
2500	2125	800	100x10x2	35	825	150	1600	35	250	150	1250	35	300	150	800	35	300	150	
2500	2125	800	100x10x2	30	850	150	1600	30	250	150	1250	30	300	150	800	30	300	150	
2500	2125	800	100x10x2	25	850	150	1600	25	250	150	1250	25	300	150	800	25	300	150	
2500	2125	800	100x10x2	15	850	150	1600	15	250	150	1250	15	300	150	800	15	300	150	
3200	2720	800	100x10x3	85	400	150	x	x	x	x	x	x	x	x	x	x	x	x	
3200	2720	800	100x10x3	75	475	150	x	x	x	x	x	x	x	x	x	x	x	x	
3200	2720	800	100x10x3	70	476	150	1600	70	250	150	x	x	x	x	x	x	x	x	
3200	2720	800	100x10x3	65	550	150	1600	65	250	150	x	x	x	x	x	x	x	x	
3200	2720	800	100x10x3	52	675	150	1600	52	250	150	1250	52	300	150	800	40	300	150	
3200	2720	800	100x10x3	40	850	150	1600	40	250	150	1250	40	300	150	800	35	300	150	
3200	2720	800	100x10x3	35	850	150	1600	35	250	150	1250	35	300	150	800	30	300	150	
3200	2720	800	100x10x3	30	851	150	1600	30	250	150	1250	30	300	150	800	30	300	150	
3200	2720	800	100x10x3	25	852	150	1600	25	250	150	1250	25	300	150	800	25	300	150	
3200	2720	800	100x10x3	15	853	150	1600	15	250	150	1250	15	300	150	800	15	300	150	
4000	3400	800	120x10x3	85	400	150	x	x	x	x	x	x	x	x	x	x	x	x	
4000	3400	800	120x10x3	75	525	150	x	x	x	x	x	x	x	x	x	x	x	x	
4000	3400	800	120x10x3	70	575	150	1600	70	250	150	x	x	x	x	x	x	x	x	
4000	3400	800	120x10x3	65	625	150	1600	65	250	150	x	x	x	x	x	x	x	x	
4000	3400	800	120x10x3	52	775	150	1600	52	250	150	1250	52	300	150	800	40	300	150	
4000	3400	800	120x10x3	40	875	150	1600	40	250	150	1250	40	300	150	800	35	300	150	
4000	3400	800	120x10x3	35	850	150	1600	35	250	150	1250	35	300	150	800	30	300	150	
4000	3400	800	120x10x3	30	850	150	1600	30	250	150	1250	30	300	150	800	30	300	150	
4000	3400	800	120x10x3	25	850	150	1600	25	250	150	1250	25	300	150	800	25	300	150	
4000	3400	800	120x10x3	15	850	150	1600	15	250	150	1250	15	300	150	800	15	300	150	

COPPER MAIN BUSBAR										COPPER SECONDARY BUSBAR									
Main Busbar Cable #11	Min Cable #11	Enclose depth=D	Cross section/mm <sup>2</sup>	Low 1s/1A	Imm MVA	Cum MVA	Sec Busbar #11/155	Cross section/mm <sup>2</sup>	Low 1s/1A	Imm MVA	Cum MVA	Sec Busbar #11/155	Cross section/mm <sup>2</sup>	Low 1s/1A	Imm MVA	Cum MVA			
500	500	400	50x5x1	40	225	70	x	x	x	x	x	x	x	x	x	x			
500	400	50x5x1	35	225	70	x	x	x	x	x	x	x	x	x	x	x			
500	500	400	50x5x1	30	225	70	x	x	x	x	x	x	x	x	x	x			
500	500	400	50x5x1	25	275	70	x	x	x	x	x	x	x	x	x	x			
500	500	400	50x5x1	15	475	70	x	x	x	x	x	x	x	x	x	x			
630	630	400	63x5x1	52	225	70	x	x	x	x	x	x	x	x	x	x			
630	630	400	63x5x1	40	225	70	x	x	x	x	x	x	x	x	x	x			
630	630	400	63x5x1	35	225	70	x	x	x	x	x	x	x	x	x	x			
630	630	400	63x5x1	30	300	70	x	x	x	x	x	x	x	x	x	x			
630	630	400	63x5x1	25	350	70	x	x	x	x	x	x	x	x	x	x			
630	630	400	63x5x1	15	525	70	x	x	x	x	x	x	x	x	x	x			
800	800	400	80x5x1	65	225	70	x	x	x	x	x	x	x	x	x	x			
800	800	400	80x5x1	52	225	70	x	x	x	x	x	x	x	x	x	x			
800	800	400	80x5x1	40	225	70	x	x	x	x	x	x	x	x	x	x			
800	800	400	80x5x1	35	250	70	x	x	x	x	x	x	x	x	x	x			
800	800	400	80x5x1	30	300	70	x	x	x	x	x	x	x	x	x	x			
800	800	400	80x5x1	25	350	70	x	x	x	x	x	x	x	x	x	x			
800	800	400	80x5x1	15	600	70	x	x	x	x	x	x	x	x	x	x			
1000	1000	400	100x5x1	82	225	70	x	x	x	x	x	x	x	x	x	x			
1000	1000	400	100x5x1	62	225	70	x	x	x	x	x	x	x	x	x	x			
1000	1000	400	100x5x1	40	250	70	x	x	x	x	x	x	x	x	x	x			
1000	1000	400	100x5x1	35	275	70	x	x	x	x	x	x	x	x	x	x			
1000	1000	400	100x5x1	30	325	70	x	x	x	x	x	x	x	x	x	x			
1000	1000	400	100x5x1	25	400	70	x	x	x	x	x	x	x	x	x	x			
1000	1000	400	100x5x1	15	675	70	x	x	x	x	x	x	x	x	x	x			
1250	1250	400	80x10x1	85	225	70	x	x	x	x	x	x	x	x	x	x			
1250	1250	400	80x10x1	75	225	70	x	x	x	x	x	x	x	x	x	x			
1250	1250	400	80x10x1	62	225	70	x	x	x	x	x	x	x	x	x	x			
1250	1250	400	80x10x1	52	350	70	x	x	x	x	x	x	x	x	x	x			
1250	1250	400	80x10x1	40	450	70	x	x	x	x	x	x	x	x	x	x			
1250	1250	400	80x10x1	35	500	70	x	x	x	x	x	x	x	x	x	x			
1250	1250	400	80x10x1	30	600	70	x	x	x	x	x	x	x	x	x	x			
1250	1250	400	80x10x1	25	725	70	x	x	x	x	x	x	x	x	x	x			
1250	1250	400	80x10x1	15	850	70	x	x	x	x	x	x	x	x	x	x			
1600	1600	400	120x10x1	85	225	70	x	x	x	x	x	x	x	x	x	x			
1600	1600	400	120x10x1	75	225	70	x	x	x	x	x	x	x	x	x	x			
1600	1600	400	120x10x1	65	325	70	x	x	x	x	x	x	x	x	x	x			
1600	1600	400	120x10x1	52	425	70	x	x	x	x	x	x	x	x	x	x			
1600	1600	400	120x10x1	40	550	70	x	x	x	x	x	x	x	x	x	x			
1600	1600	400	120x10x1	35	625	70	x	x	x	x	x	x	x	x	x	x			
1600	1600	400	120x10x1	30	725	70	x	x	x	x	x	x	x	x	x	x			
1600	1600	400	120x10x1	25	850	70	x	x	x	x	x	x	x	x	x	x			
1600	1600	400	120x10x1	15	850	70	x	x	x	x	x	x	x	x	x	x			







COPPER MAIN BUSBAR											COPPER SECONDARY BUSBAR										
Main Busbar Current (P1)	Main Busbar Endurance	Endurance depth-a)	Cross section/b)	low 1s/IA	Bmm MAX	Cmm MIN	Secondary Busbar IP31/IP55	Cross section/mm	low 1s/IA	Bmm MAX	Cmm MIN	Secondary Busbar IP31/IP55	Cross section/mm	low 1s/IA	Bmm MAX	Cmm MIN					
1000	600	600	630x5x1	52	225	100	X	630	630x5x1	52	225	125	X	630	630x5x1	52	225	125			
1000	600	600	630x5x1	40	250	100	X	630	630x5x1	40	225	125	X	630	630x5x1	40	225	125			
1000	600	600	630x5x1	35	300	100	X	630	630x5x1	35	325	125	X	630	630x5x1	35	325	125			
1000	600	600	630x5x1	30	350	100	X	630	630x5x1	30	250	125	X	630	630x5x1	30	225	125			
1000	600	600	630x5x1	25	427	100	X	630	630x5x1	25	300	125	X	630	630x5x1	25	275	125			
1000	600	600	630x5x1	15	700	100	X	630	630x5x1	15	525	125	X	630	630x5x1	15	475	125			
800	800	600	800x5x1	65	225	100	800	800x5x1	65	225	125	X	800	800x5x1	65	225	125				
800	800	600	800x5x1	52	225	100	800	800x5x1	52	225	125	X	800	800x5x1	52	225	125				
800	800	600	800x5x1	40	300	100	800	800x5x1	40	300	125	X	800	800x5x1	40	225	125				
800	800	600	800x5x1	35	325	100	800	800x5x1	35	325	125	X	800	800x5x1	35	225	125				
800	800	600	800x5x1	30	400	100	800	800x5x1	30	400	125	X	800	800x5x1	30	225	125				
800	800	600	800x5x1	25	475	100	800	800x5x1	25	475	125	X	800	800x5x1	25	275	125				
800	800	600	800x5x1	15	800	100	800	800x5x1	15	800	125	X	800	800x5x1	15	475	125				
1000	1000	600	1000x5x1	85	225	100	X	1000	1000x5x1	85	225	125	X	1000	1000x5x1	85	225	125			
1000	1000	600	1000x5x1	75	225	100	X	1000	1000x5x1	75	225	125	X	1000	1000x5x1	75	225	125			
1000	1000	600	1000x5x1	65	225	100	800	800x5x1	65	225	125	X	800	800x5x1	65	225	125				
1000	1000	600	1000x5x1	52	250	100	800	800x5x1	52	250	125	X	800	800x5x1	52	225	125				
1000	1000	600	1000x5x1	40	325	100	800	800x5x1	40	300	125	X	800	800x5x1	40	225	125				
1000	1000	600	1000x5x1	35	375	100	800	800x5x1	35	325	125	X	800	800x5x1	35	225	125				
1000	1000	600	1000x5x1	30	450	100	800	800x5x1	30	400	125	X	800	800x5x1	30	225	125				
1000	1000	600	1000x5x1	25	525	100	800	800x5x1	25	475	125	X	800	800x5x1	25	275	125				
1000	1000	600	1000x5x1	15	850	100	800	800x5x1	15	800	125	X	800	800x5x1	15	475	125				
1250	1250	600	800x10x1	85	300	100	X	800	800x5x1	85	300	125	X	800	800x5x1	85	300	125			
1250	1250	600	800x10x1	75	325	100	X	800	800x5x1	75	325	125	X	800	800x5x1	75	325	125			
1250	1250	600	800x10x1	65	375	100	800	800x5x1	65	375	125	X	800	800x5x1	65	375	125				
1250	1250	600	800x10x1	52	450	100	800	800x5x1	52	450	125	X	800	800x5x1	52	450	125				
1250	1250	600	800x10x1	40	600	100	800	800x5x1	40	600	125	X	800	800x5x1	40	600	125				
1250	1250	600	800x10x1	30	800	100	800	800x5x1	30	800	125	X	800	800x5x1	30	800	125				
1250	1250	600	800x10x1	25	850	100	800	800x5x1	25	850	125	X	800	800x5x1	25	850	125				
1250	1250	600	800x10x1	15	1000	100	800	800x5x1	15	1000	125	X	800	800x5x1	15	1000	125				
1600	1600	600	1200x10x1	85	350	100	X	1200	1200x10x1	85	350	125	X	1200	1200x10x1	85	350	125			
1600	1600	600	1200x10x1	75	375	100	X	1200	1200x10x1	75	375	125	X	1200	1200x10x1	75	375	125			
1600	1600	600	1200x10x1	65	450	100	800	800x5x1	65	450	125	X	800	800x5x1	65	450	125				
1600	1600	600	1200x10x1	52	575	100	800	800x5x1	52	575	125	X	800	800x5x1	52	575	125				
1600	1600	600	1200x10x1	40	725	100	800	800x5x1	40	725	125	X	800	800x5x1	40	725	125				
1600	1600	600	1200x10x1	35	850	100	800	800x5x1	35	850	125	X	800	800x5x1	35	850	125				
1600	1600	600	1200x10x1	30	850	100	800	800x5x1	30	850	125	X	800	800x5x1	30	850	125				
1600	1600	600	1200x10x1	25	850	100	800	800x5x1	25	850	125	X	800	800x5x1	25	850	125				
1600	1600	600	1200x10x1	15	1000	100	800	800x5x1	15	1000	125	X	800	800x5x1	15	1000	125				

## COPPER MAIN BUSBAR

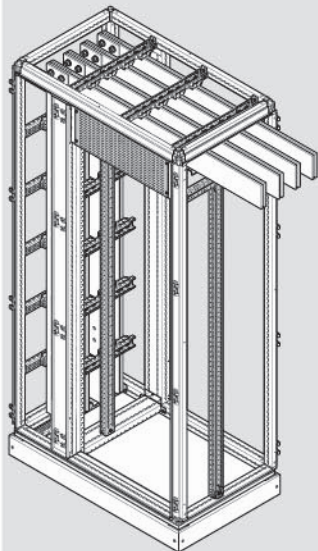
## COPPER SECONDARY BUSBAR


Main Busbar Current/PSI	Main Busbar Exposure depth=D	Cross section/mm	low 1s/1A	Bmm MAX	Cmm MIN	Secondary Busbar PSI/PS5 section/mm	Cross section/mm	low 1s/1A	Bmm MAX	Cmm MIN	Secondary Busbar PSI/PS5 section/mm	Cross section/mm	low 1s/1A	Bmm MAX	Cmm MIN	low 1s/1A	Bmm MAX	Cmm MIN			
2000	1700	800	80x10x2	85	325	125	1600	120x10x1	85	330	125	1250	80x10x1	85	300	125	1000	100x5x1	85	225	125
2000	1700	800	80x10x2	75	325	125	1600	120x10x1	75	325	125	1250	80x10x1	75	325	125	1000	100x5x1	75	225	125
2000	2000	800	80x10x2	70	350	125	1600	120x10x1	70	376	125	1250	80x10x1	70	325	125	1000	100x5x1	70	225	125
2000	1700	800	80x10x2	65	375	125	1600	120x10x1	65	450	125	1250	80x10x1	65	375	125	1000	100x5x1	65	225	125
2000	1700	800	80x10x2	52	475	125	1600	120x10x1	52	575	125	1250	80x10x1	52	450	125	1000	100x5x1	52	250	150
2000	1700	800	80x10x2	40	625	125	1600	120x10x1	40	725	125	1250	80x10x1	40	600	150	1000	100x5x1	40	325	150
2000	1700	800	80x10x2	35	700	125	1600	120x10x1	35	850	125	1250	80x10x1	35	675	150	1000	100x5x1	35	375	150
2000	1700	800	80x10x2	30	825	125	1600	120x10x1	30	890	125	1250	80x10x1	30	800	125	1000	100x5x1	30	450	150
2000	1700	800	80x10x2	25	850	125	1600	120x10x1	25	890	125	1250	80x10x1	25	850	125	1000	100x5x1	25	525	125
2000	1700	800	80x10x2	15	890	125	1600	120x10x1	15	890	125	1250	80x10x1	15	850	125	1000	100x5x1	15	890	125
2500	2125	800	100x10x2	85	325	150	1600	120x10x1	85	350	150	1250	80x10x1	85	300	150	1000	100x5x1	85	225	150
2500	2125	800	100x10x2	75	375	150	1600	120x10x1	75	375	150	1250	80x10x1	75	325	150	1000	100x5x1	75	225	150
2500	2125	800	100x10x2	70	400	150	1600	120x10x1	70	376	150	1250	80x10x1	70	325	150	1000	100x5x1	70	225	150
2500	2125	800	100x10x2	65	450	150	1600	120x10x1	65	450	150	1250	80x10x1	65	375	150	1000	100x5x1	65	225	150
2500	2125	800	100x10x2	52	550	150	1600	120x10x1	52	575	150	1250	80x10x1	52	450	150	1000	100x5x1	52	250	150
2500	2125	800	100x10x2	40	725	150	1600	120x10x1	40	725	150	1250	80x10x1	40	600	150	1000	100x5x1	40	325	150
2500	2125	800	100x10x2	35	825	150	1600	120x10x1	35	850	150	1250	80x10x1	35	675	150	1000	100x5x1	35	375	150
2500	2125	800	100x10x2	30	850	150	1600	120x10x1	30	890	150	1250	80x10x1	30	800	150	1000	100x5x1	30	450	150
2500	2125	800	100x10x2	25	890	150	1600	120x10x1	25	890	150	1250	80x10x1	25	850	150	1000	100x5x1	25	525	150
2500	2125	800	100x10x2	15	890	150	1600	120x10x1	15	890	150	1250	80x10x1	15	850	150	1000	100x5x1	15	890	150
3200	2720	800	100x10x3	85	400	150	1600	120x10x1	85	390	150	1250	80x10x1	85	300	150	1000	100x5x1	85	225	150
3200	2720	800	100x10x3	75	475	150	1600	120x10x1	75	375	150	1250	80x10x1	75	325	150	1000	100x5x1	75	225	150
3200	2720	800	100x10x3	70	476	150	1600	120x10x1	70	376	150	1250	80x10x1	70	325	150	1000	100x5x1	70	225	150
3200	2720	800	100x10x3	65	550	150	1600	120x10x1	65	450	150	1250	80x10x1	65	375	150	1000	100x5x1	65	225	150
3200	2720	800	100x10x3	52	675	150	1600	120x10x1	52	575	150	1250	80x10x1	52	450	150	1000	100x5x1	52	250	150
3200	2720	800	100x10x3	40	850	150	1600	120x10x1	40	725	150	1250	80x10x1	40	600	150	1000	100x5x1	40	325	150
3200	2720	800	100x10x3	35	890	150	1600	120x10x1	35	850	150	1250	80x10x1	35	675	150	1000	100x5x1	35	375	150
3200	2720	800	100x10x3	30	891	150	1600	120x10x1	30	890	150	1250	80x10x1	30	800	150	1000	100x5x1	30	450	150
3200	2720	800	100x10x3	25	893	150	1600	120x10x1	25	890	150	1250	80x10x1	25	850	150	1000	100x5x1	25	525	150
3200	2720	800	100x10x3	15	893	150	1600	120x10x1	15	890	150	1250	80x10x1	15	850	150	1000	100x5x1	15	890	150
4000	3400	800	120x10x3	85	400	150	1600	120x10x1	85	390	150	1250	80x10x1	85	300	150	1000	100x5x1	85	225	150
4000	3400	800	120x10x3	75	525	150	1600	120x10x1	75	375	150	1250	80x10x1	75	325	150	1000	100x5x1	75	225	150
4000	3400	800	120x10x3	70	525	150	1600	120x10x1	70	376	150	1250	80x10x1	70	325	150	1000	100x5x1	70	225	150
4000	3400	800	120x10x3	65	625	150	1600	120x10x1	65	450	150	1250	80x10x1	65	375	150	1000	100x5x1	65	225	150
4000	3400	800	120x10x3	52	775	150	1600	120x10x1	52	575	150	1250	80x10x1	52	450	150	1000	100x5x1	52	250	150
4000	3400	800	120x10x3	40	890	150	1600	120x10x1	40	725	150	1250	80x10x1	40	600	150	1000	100x5x1	40	325	150
4000	3400	800	120x10x3	35	890	150	1600	120x10x1	35	850	150	1250	80x10x1	35	675	150	1000	100x5x1	35	375	150
4000	3400	800	120x10x3	30	890	150	1600	120x10x1	30	890	150	1250	80x10x1	30	800	150	1000	100x5x1	30	450	150
4000	3400	800	120x10x3	25	890	150	1600	120x10x1	25	890	150	1250	80x10x1	25	850	150	1000	100x5x1	25	525	150
4000	3400	800	120x10x3	15	890	150	1600	120x10x1	15	890	150	1250	80x10x1	15	850	150	1000	100x5x1	15	890	150

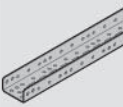


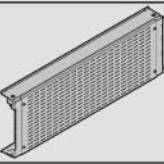


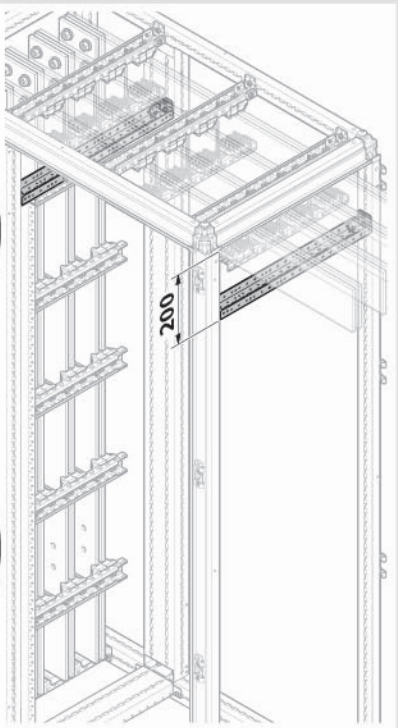
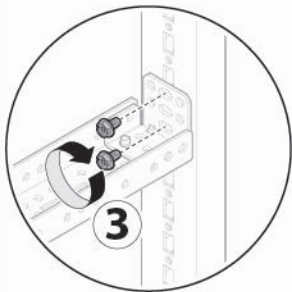
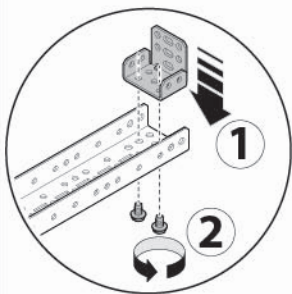
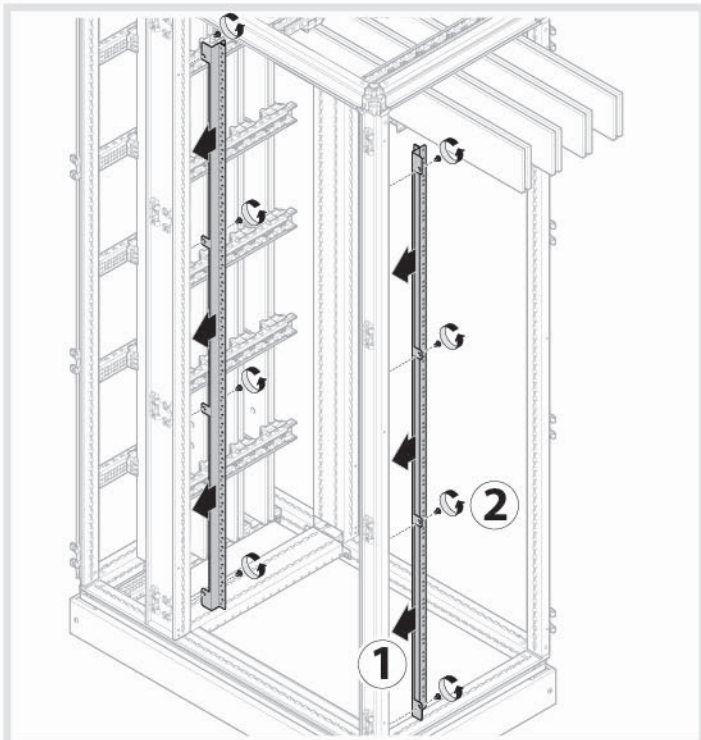
D = 400 - 600 - 800 mm

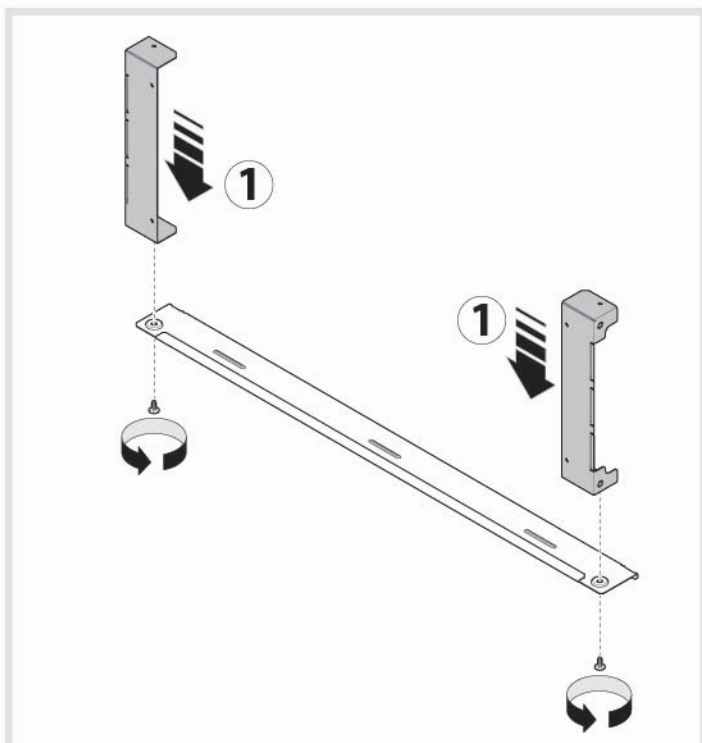
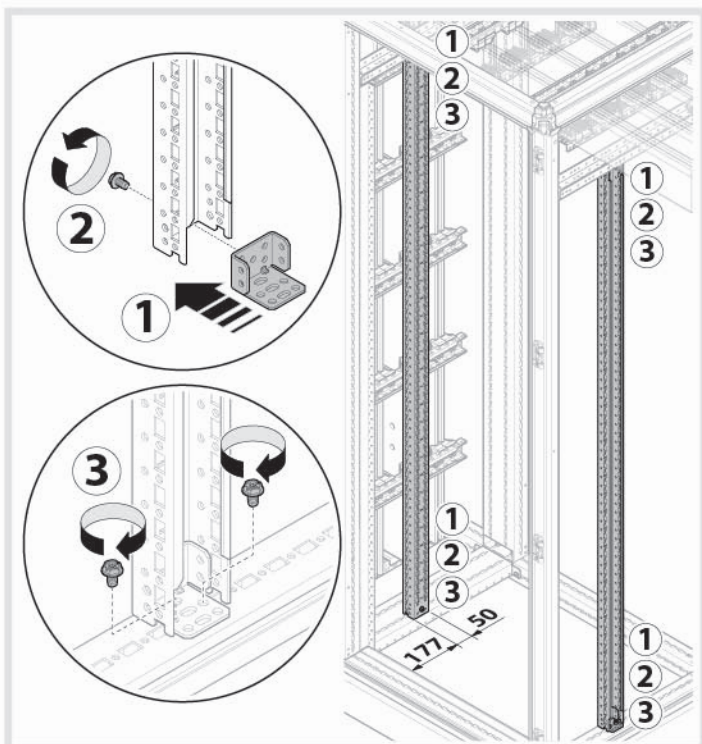
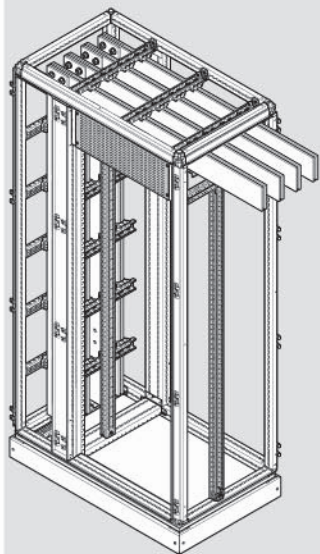


	H
UC1600FB	1800
UC1800FB	2000

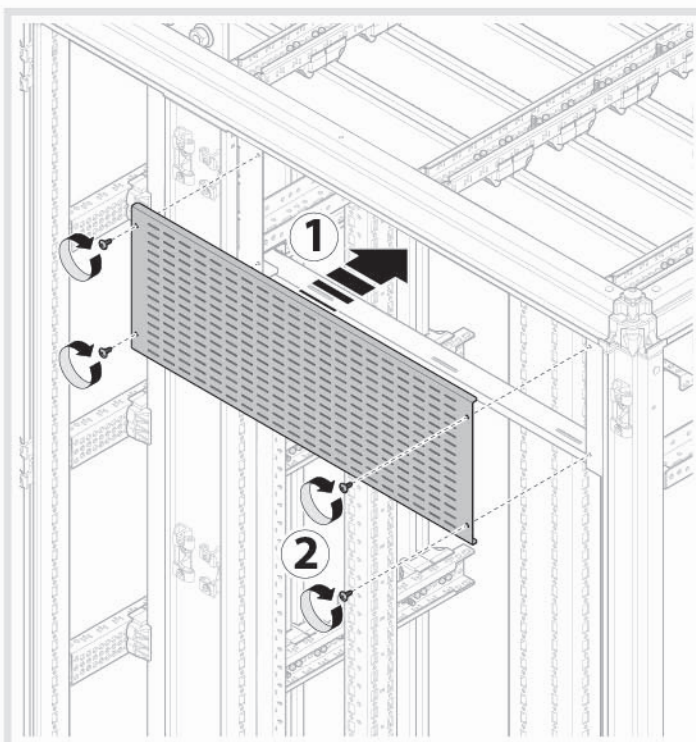
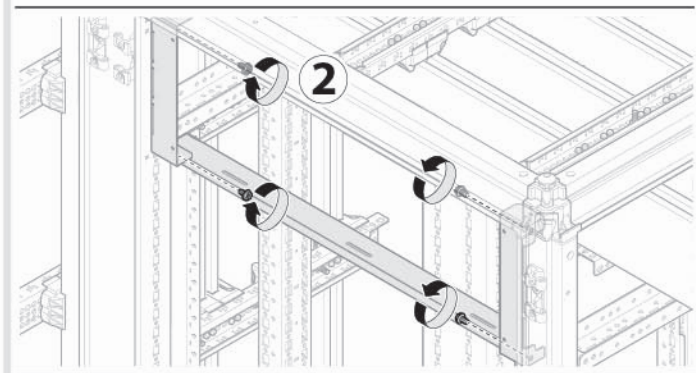
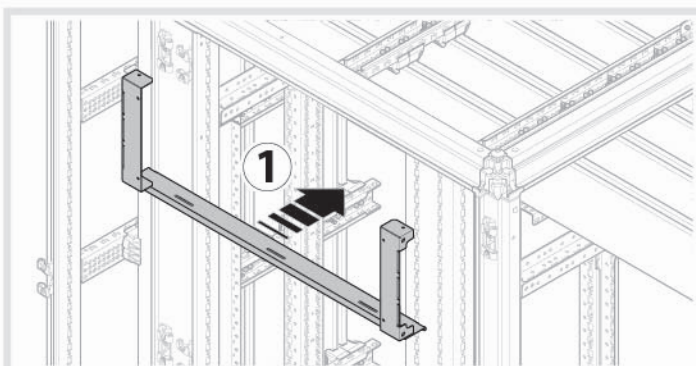
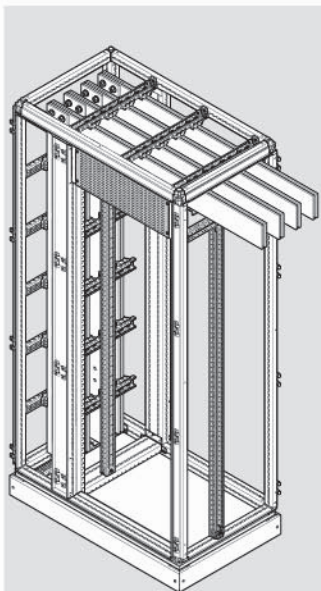
	D
UC300FU	400
UC500FU	600
UC700FU	800

	W
UC3540FP	350
UC6040FP	600
UC8040FP	800

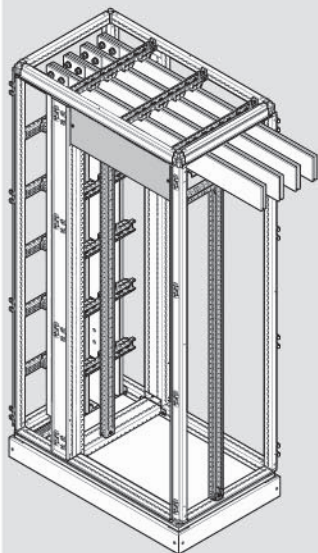





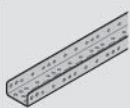


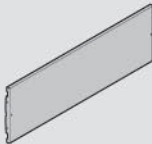


D = 600 - 800 mm



	H1
UC1600FB	1800
UC1800FB	2000
UC200F	200

	D
UC300FU	400
UC500FU	600
UC700FU	800

	W
UC223	350
UC233	600
UC243	800

