

Part number

CX 01 30PEM



Male modular insert, Mixo series, 300 A, crimp connection, 1 PE pole, 2 modules, PE module for earth termination

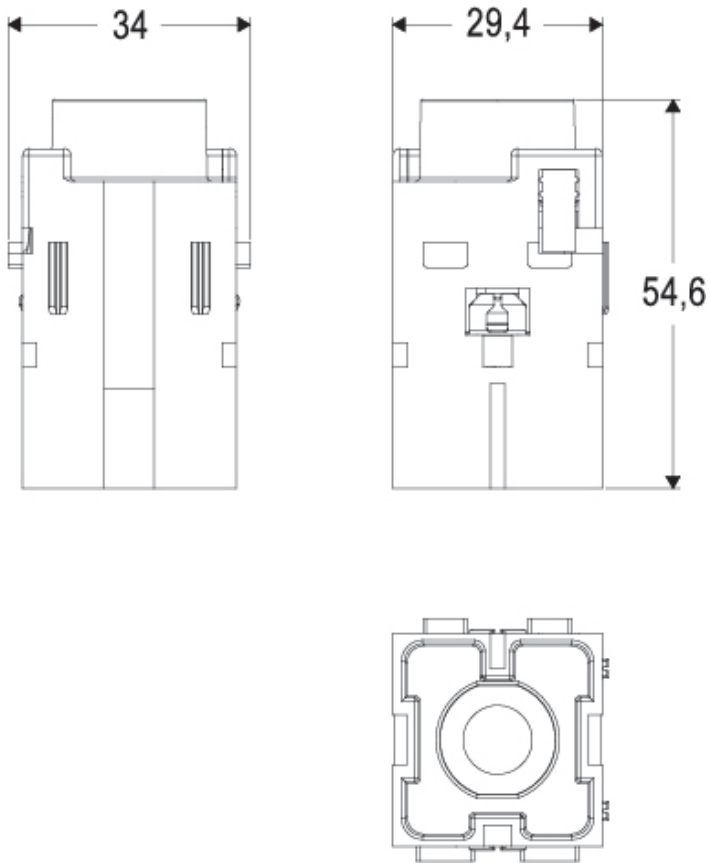
Product description		Material properties	
Product type	Modular insert	Main material	Polycarbonate
Series	Mixo	Colour	RAL 7032 grey
Connection type	Crimp connection	RoHs conformity	Compliant
Gender	Male	China RoHs - EFUP	E
N. of poles	1 PE pole	REACH SVHC substances	No
Size	2 modules	General ordering information	
Specification	For C30 contacts (16-70 mm ²) PE module for earth termination	EAN13 code	8015747289863
Technical data		eCl@ss 8.1	27440205
Current	300 A	ETIM 7.0	EC000438
IP degree of protection	IP20 without enclosure, IP65/IP66/IP68/IP69 with enclosure	Packaging Information	
Further technical details		Packaging length	112,00 mm
Mating cycles	≥ 500	Packaging height	95,00 mm
Contact resistance	≤ 0,2 mΩ	Packaging width	117,00 mm
Weight	23,00 g	Packaging weight	0,17 kg
Operating temperature range (min, max)	-40 °C ... +125 °C	Packaging volume	1,24 dm ³
UL 94 flammability rating	V-0	Packaging description	Carton box
		Packaging quantity	5 Pcs
		Packaging EAN code	8015747290043
		Sub-packaging weight	0,03 kg
		Sub-packaging description	Plastic bag
		Sub-packaging quantity	1 Pcs
		Sub-packaging EAN barcode	8015747290050

Part number

CX 01 30PEM



Catalogue drawings



Notes