


Part number

CQYF 08E



Female insert, CQY series, AXYR® spring push-in terminal connection without tools, 8 poles + PE, 16 A 500 V 6 kV 3, size "32.13", with PE plate

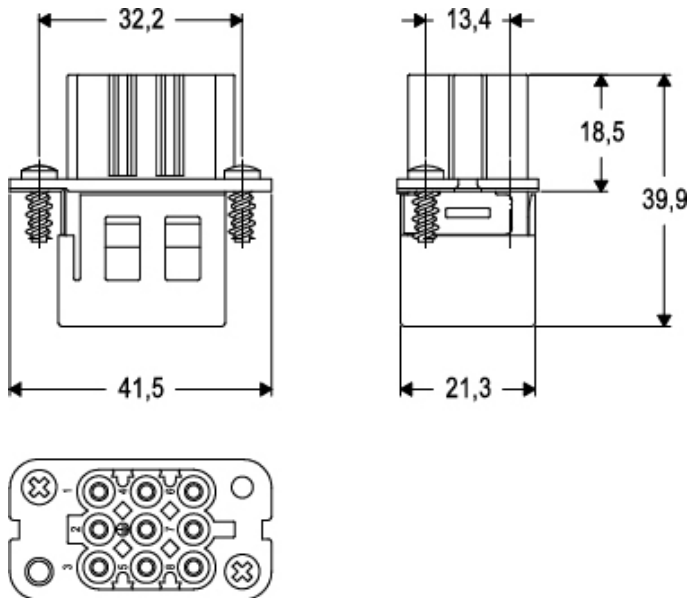
Product description		Material properties	
Product type	Insert	Main material	Polycarbonate (PC)
Series	CQY	Other materials	Contacts: copper alloy
Connection type	AXYR® high density spring terminal connection without tools	Colour	RAL 7032 grey
Gender	Female	RoHs conformity	Compliant with exemption 6(c): copper alloy containing up to 4% lead by weight
N. of poles	8 poles + 	China RoHs - EFUP	50
Size	Size "32.13"	REACH SVHC substances	Yes Lead
Specification	With PE plate	Approvals / Standards	
Technical data		Certifications	DNV
Current	16 A	General ordering information	
Voltage	500 V	EAN13 code	8015747284615
Rated impulse withstand voltage	6 kV	eCl@ss 8.1	27440205
Pollution degree	3	ETIM 7.0	EC000438
Rated voltage according to UL/CSA	600 V	Packaging Information	
Wire cross-section	0,25 mm ² - 4,00 mm ²	Packaging length	245,00 mm
AWG size	24 - 12	Packaging height	165,00 mm
Contact type	Turned silver plated	Packaging width	215,00 mm
IP degree of protection	IP20 without enclosure, IP66/IP67/IP69 with enclosure	Packaging weight	1,87 kg
Further technical details		Packaging volume	8,69 dm ³
Characteristics according to EN 61984	16 A 500 V 6 kV 3; 16 A 400/690 V 8 kV 2	Packaging description	Carton box
Mating cycles	≥ 500	Packaging quantity	50 Pcs
Insulation resistance	≥ 10 GΩ	Packaging EAN code	8015747284639
Contact resistance	≤ 3 mΩ	Sub-packaging weight	0,04 kg
Weight	31,00 g	Sub-packaging description	Plastic bag
Operating temperature range (min, max)	-40 °C ... +125 °C	Sub-packaging quantity	1 Pcs
Conductors stripping length	9...11 mm	Sub-packaging EAN barcode	8015747139878
UL 94 flammability rating	V-0		

Part number

CQYF 08E

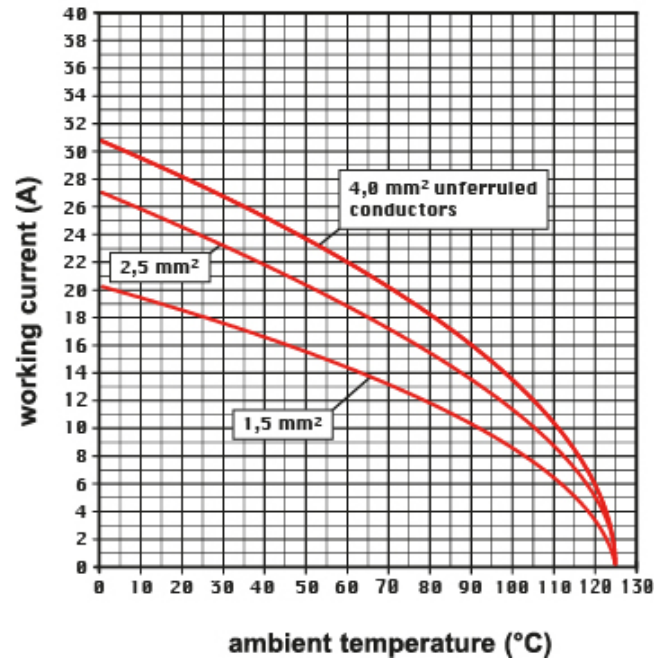


Catalogue drawings



Derating curves

CQY..E 8 poles connector inserts
Maximum current load derating diagram



Notes