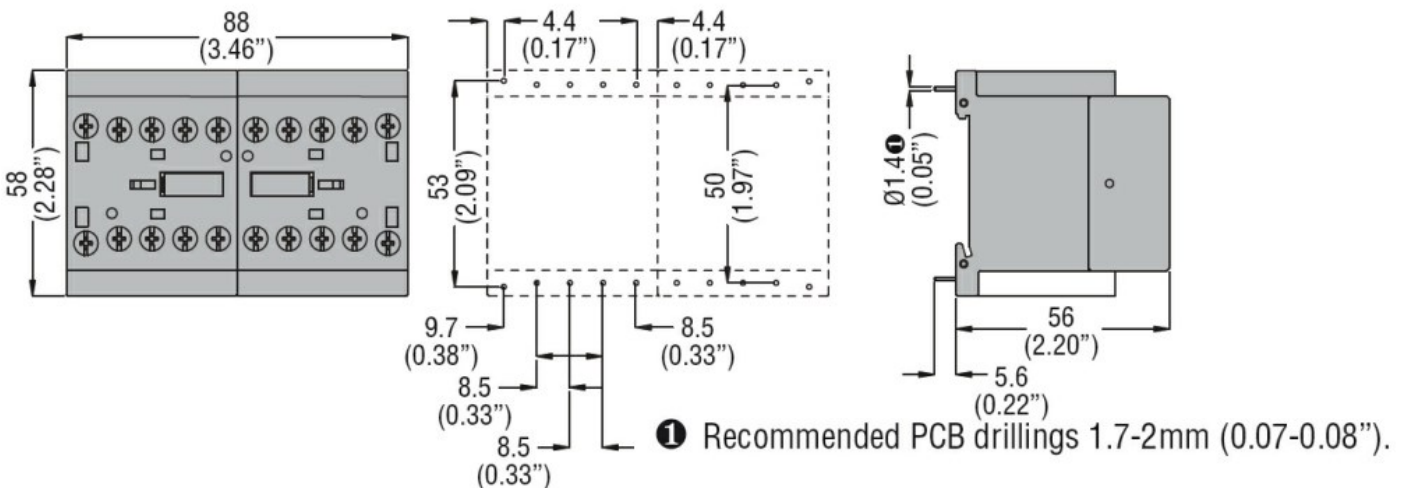
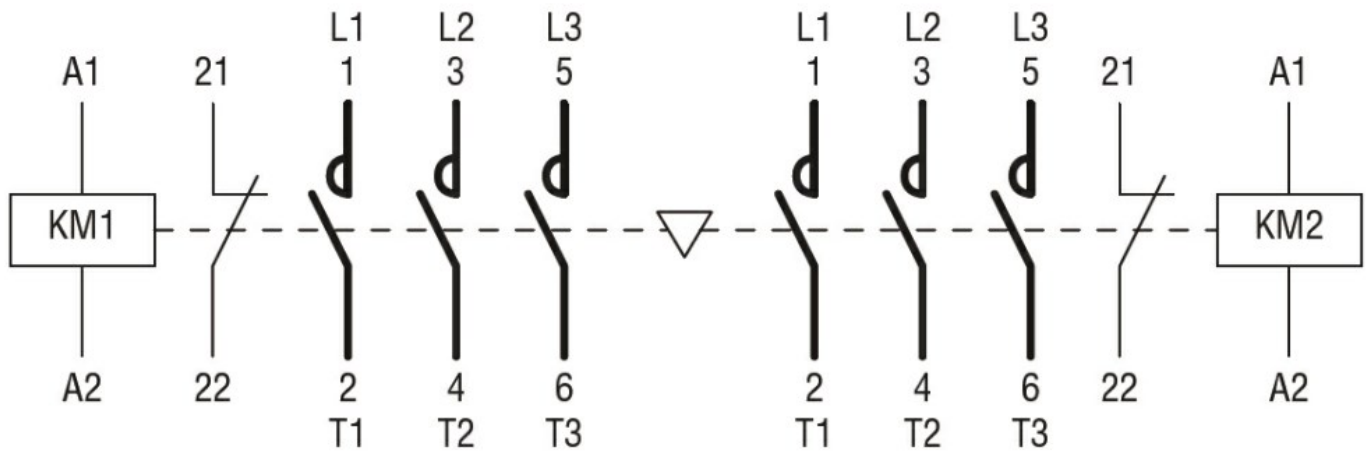




Product designation	Reversing contactor		
Product type designation	BGTP09		
<b>Electrical features</b>			
Maximum operating current ( $\leq 440V$ )	A	9	
<b>Contact characteristics</b>			
Operational current Ie	AC-3 ( $\leq 440V \leq 55^{\circ}C$ )	A	9
Rated operational power AC-3 ( $T \leq 55^{\circ}C$ )	230V	kW	2.2
	400V	kW	4
	415V	kW	4.3
	440V	kW	4.5
	500V	kW	5
Built-in auxiliary contacts	NO	0	
	NC	1	
<b>UL technical data</b>			
Maximum UL/CSA horsepower ratings single-phase	110V-120V	HP	0.5
	220V-240V	HP	1.5
Maximum UL/CSA horsepower ratings three-phase, 3-pole	200V-208V	HP	2
	220V-240V	HP	3
	440V-480V	HP	5
<b>Mechanical features</b>			
Terminals type	Clamp screw		
Weight	g	400	
<b>Dimensions</b>			



**Wiring diagrams**



**Certifications and compliance**

Compliance

IEC/EN 60947-1  
IEC/EN 60947-4-1  
UL508 CSA C22.2 n° 14

Certificates

cULus

**ETIM classification**

ETIM 8.0

EC001037 -  
Motor  
starter/Motor  
starter  
combination