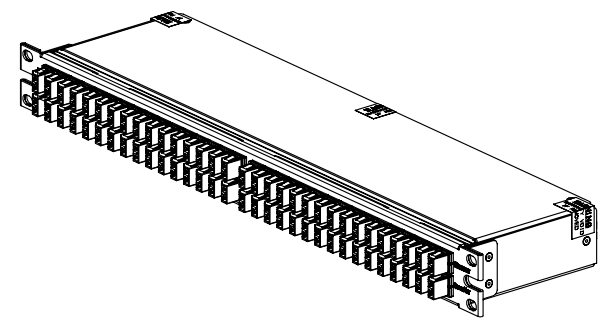
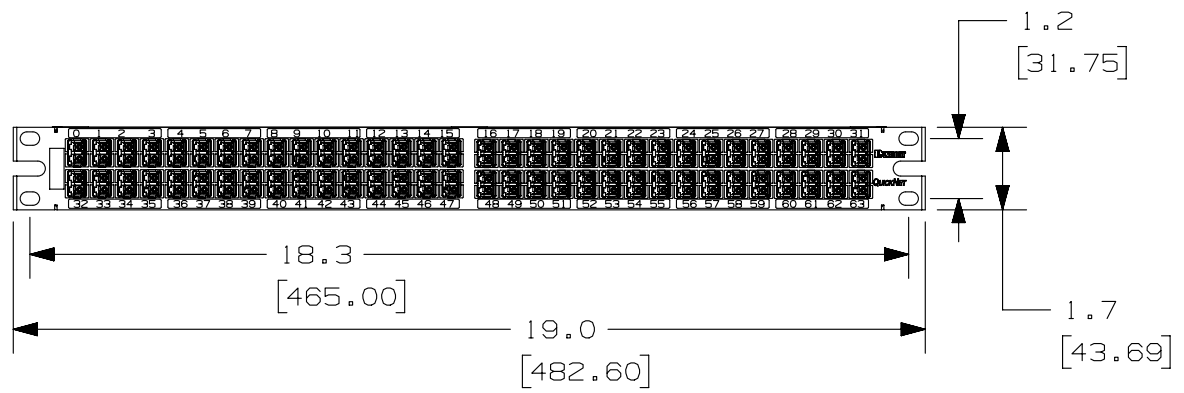
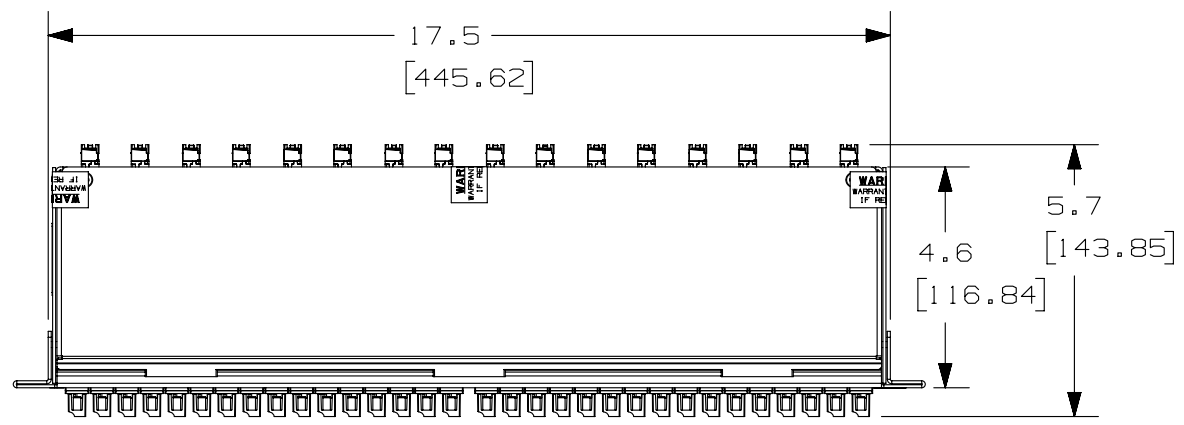


THIS COPY IS PROVIDED ON A RESTRICTED BASIS AND IS NOT TO BE USED IN ANY WAY DETRIMENTAL TO THE INTERESTS OF PANDUIT CORP.

NOTES:

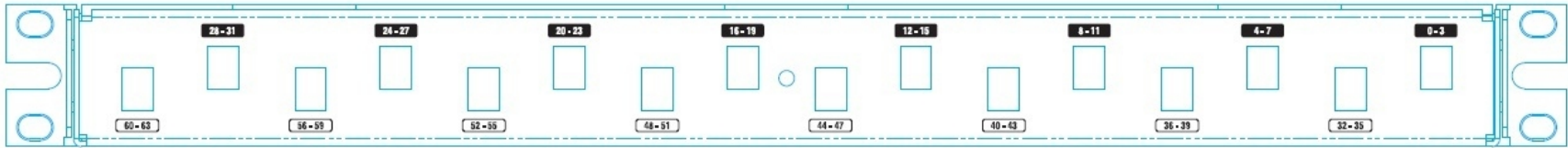
1. SEE CURRENT CATALOG FOR PART NUMBER SUFFIXES TO INDICATE COLOR AND/OR PACKAGE QUANTITIES.
2. SEE CATALOG FOR A COMPLETE LIST OF PARTS APPLICABLE FOR USE WITH THIS PRODUCT.
3. REFERENCE TIA-568-C.0. FOR DETAILS ON METHOD A CONNECTIVITY.
4. MATERIALS:
 - A. BOX AND LID: ALUMINUM
 - B. ADAPTERS: COMPOSITE PLASTIC
5. CASSETTE MODULE WEIGHT: 37.0oz [1050.0g]
6. DIMENSIONS IN BRACKETS ARE METRIC
7. ALL MATERIALS AND COMPONENTS USED MEET THE MATERIAL RESTRICTIONS OF RoHS, (EUROPEAN DIRECTIVE 2011/65/EC ON THE RESTRICTIONS OF HAZARDOUS SUBSTANCES) AS PROPOSED BY THE RoHS TECHNICAL ADAPTATION COMMITTEE.



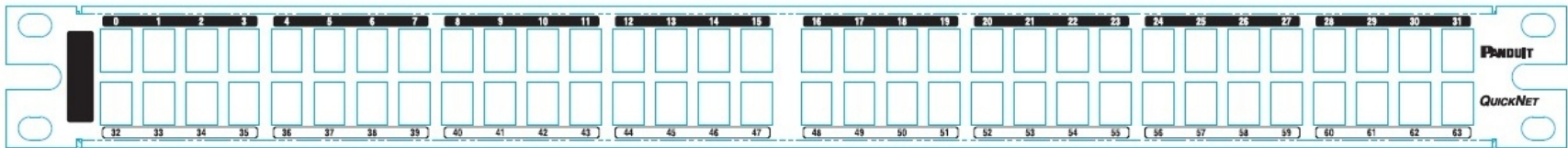
ISOMETRIC VIEW

					TITLE HDQ SERIES FIBER OPTIC FLAT CASSETTES FOR BROCADE 64 PORTS (128 FIBERS)							
					CUSTOMER DRAWING							
					ITEM REVISION NAME 12F193AA/02							
					DATASET FILE NAME 12F193AA_DC/02B							
					UNLESS OTHERWISE SPECIFIED, DIMENSIONAL TOLERANCES ARE: IN [mm]							
					.x ± .xxx ± .010 [0.3]							
					.xx ± .03 [0.8] ANGLES ±							
					DRAWING NUMBER: 12F193AA-DC							
01	09-24-13	SAT	YMG	RELEASED TO PRODUCTION	12F193AA-DC	THIRD ANGLE PROJECTION						
REV	DATE	BY	CHK	APR	DESCRIPTION	ECN	DRAWN BY SAT	DATE 05-15-13	CHK YMG	SCALE NONE	SHT 1 OF 3	SIZE A

THIS COPY IS PROVIDED ON A RESTRICTED BASIS AND IS NOT TO BE USED IN ANY WAY DETRIMENTAL TO THE INTERESTS OF PANDUIT CORP.



DD-1354B
REAR PANEL



DD-1354A
FRONT PANEL

01	09-24-13	SAT	YMG		RELEASED TO PRODUCTION	12F193AA-DC
REV	DATE	BY	CHK	APR	DESCRIPTION	ECN

TITLE		HDQ SERIES FIBER OPTIC FLAT CASSETTES FOR BROCADE 64 PORTS (128 FIBERS)	
CUSTOMER DRAWING			
ITEM REVISION NAME		12F193AA/02	
DATASET FILE NAME		12F193AA_DC/02B	
UNLESS OTHERWISE SPECIFIED, DIMENSIONAL TOLERANCES ARE: IN (mm)		MATERIAL:	
.x ± .xxx ± .010 (0.3)			
.xx ± .03 (0.8) ANGLES ±			
		DRAWING NUMBER:	
THIRD ANGLE PROJECTION		12F193AA-DC	
DRAWN BY	DATE	CHK	SCALE
SAT	05-15-13	YMG	NONE
SHT 3 OF 3			SIZE
			A