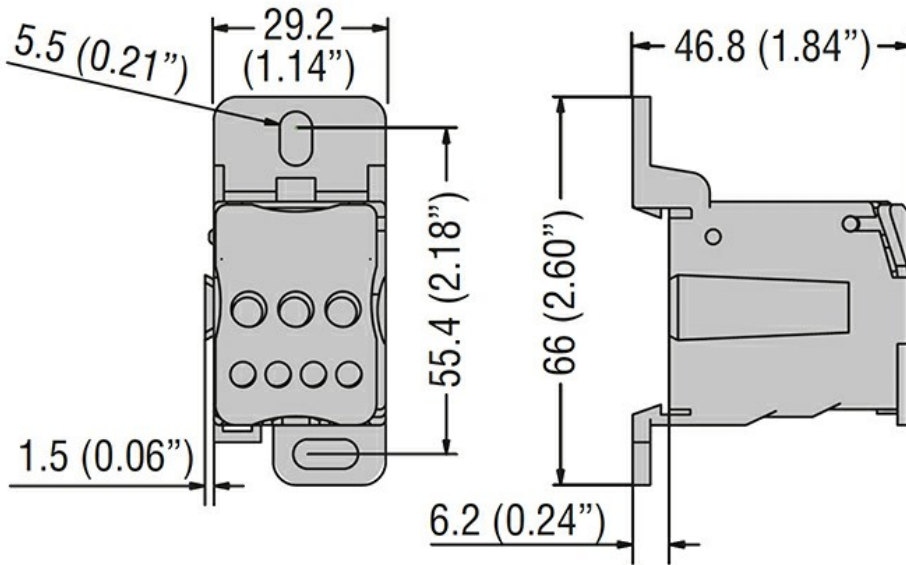




Product designation	Power distribution block	
<b>Electrical features</b>		
Number of poles		1
Rated insulation voltage Ui	V	1000
IEC Conventional free air thermal current Ith	A	85
Rated peak withstand current Ipk	kA	22
Rated short time current Icw 60s	A	3
<b>Connections</b>		
Terminal hole diameter_Option 1	mm	1x6mm
Conductor section connectable_Option 1	mm <sup>2</sup> AWG	6...16 16...4
Terminal hole diameter_Option 2	mm	4x4.4mm
Conductor section connectable_Option 2	mm <sup>2</sup> AWG	2.5...6 16...8
Terminal hole diameter_Option 3	mm	2x6mm
Conductor section connectable_Option 3	mm <sup>2</sup> AWG	2.5...16 16...4
<b>Mechanical features</b>		
Operating position	normal allowable	Vertical plane Any
Fixing		Screw / DIN rail 35mm
Metric Allen Key	mm	2,5-3
Weight	g	72
<b>Resistance &amp; Protection</b>		
Terminals IP degree		IP20 front
<b>Dimensions</b>		



### Certifications and compliance

#### Certifications

IEC/EN/BS 60947-7-1

#### Compliance

cURus

### ETIM classification

EC000066 - Power contactor, AC switching

□