



BEF-SLIT MASK-G6

SICK
Sensor Intelligence.



Ordering information

Type	Part no.
BEF-SLIT MASK-G6	2075254

Other models and accessories → www.sick.com/

Detailed technical data

Technical specifications

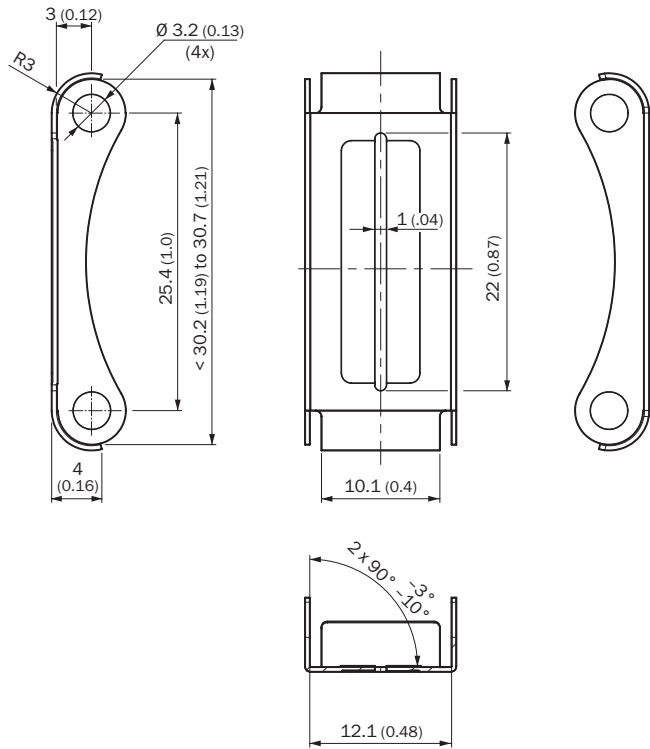
Accessory group	Masks
Description	Slit mask, vertical slots, slot width: 1.0 mm, 2 pieces, black
Material	Aluminum
Items supplied	Slit mask (2 pieces)
Color	Black

Classifications

ECLASS 5.0	27279202
ECLASS 5.1.4	27279202
ECLASS 6.0	27279202
ECLASS 6.2	27279202
ECLASS 7.0	27279202
ECLASS 8.0	27279202
ECLASS 8.1	27279202
ECLASS 9.0	27273701
ECLASS 10.0	27273701
ECLASS 11.0	27273701
ECLASS 12.0	27273701
ETIM 5.0	EC002024
ETIM 6.0	EC002024
ETIM 7.0	EC002024
ETIM 8.0	EC002024
UNSPSC 16.0901	45121613

Dimensional drawing (Dimensions in mm (inch))

Dimensional drawing



Sensing range with aperture A), aperture 1 mm: sensing range 2 m

SICK AT A GLANCE

SICK is one of the leading manufacturers of intelligent sensors and sensor solutions for industrial applications. A unique range of products and services creates the perfect basis for controlling processes securely and efficiently, protecting individuals from accidents and preventing damage to the environment.

We have extensive experience in a wide range of industries and understand their processes and requirements. With intelligent sensors, we can deliver exactly what our customers need. In application centers in Europe, Asia and North America, system solutions are tested and optimized in accordance with customer specifications. All this makes us a reliable supplier and development partner.

Comprehensive services complete our offering: SICK LifeTime Services provide support throughout the machine life cycle and ensure safety and productivity.

For us, that is “Sensor Intelligence.”

WORLDWIDE PRESENCE:

Contacts and other locations –www.sick.com