

Product designation				Rotary cam switches
Product type designation				GX32
<b>General characteristics</b>				
Switching diagram				12 - Star-delta motor starter switch
N° of elements				4
Mounting form				U25 - Front mounting with red/yellow handle padlockable in 0 and protection covers
<b>Contact characteristics</b>				
Rated insulation voltage $U_i$	IEC/EN	V	690	
	UL/CSA	V	600	
Rated impulse withstand voltage $U_{imp}$		kV	6	
Conventional free air thermal current $I_{th}$	IEC/EN	A	32	
	UL/CSA	A	32	
Rated operational voltage		V	440	
Rated operational impulse voltage		kV	4	
Maximum fuse size for short-circuit protection $I_n$ (gG)	10kA	A	35	
	15kA	A	35	
	25kA	A	35	
Rated short time current $I_{cw}$	1s	A	1000	
Conductivity				10/5 mA/V
Operational current $I_e$ IEC/EN				
AC1/AC21A		A	32	
AC15	110V	A	25	
	220/230V	A	20	
	380/400V	A	10	
	660/690V	A	2	
Rated operational power in AC				
Three-phase AC-3	220/230V	kW	7.5	
	380/440V	kW	11	
	500/690V	kW	11	
Single-phase AC-3	110V	kW	1.8	
	220/230V	kW	3.5	
	380/440V	kW	5.5	
Three-phase AC23A	220/230V	kW	8	
	380/440V	kW	15	
	500/690V	kW	15	
Single-phase AC23A	110V	kW	2.2	

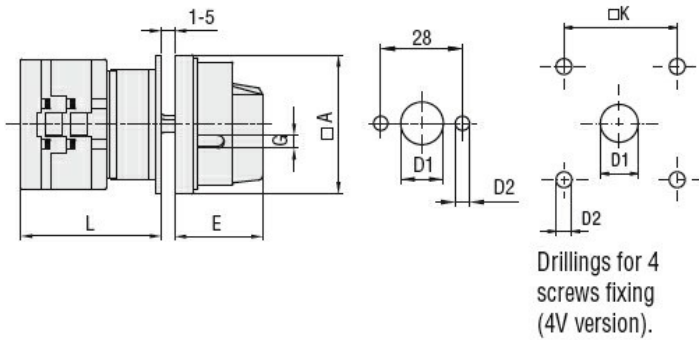
	220/230V	kW	3.5
	380/440V	kW	6
<b>Rated operational current in DC</b>			
DC21A			
	48V	A	32
	60V	A	32
	110V	A	5
	220V	A	0.8
	440V	A	0.25
<b>DC23A (poles in series)</b>			
	24V	A	32 (1)
	48V	A	32 (2)
	60V	A	32 (3)
	110V	A	15 (3)
	220V	A	12 (4)
<b>DC13</b>			
	24V	A	32
	48V	A	25
	60V	A	14
	110V	A	3
	220V	A	0.5
	440V	A	0.15
<b>Power dissipation</b>		W	1.6
<b>Mechanical features</b>			
<b>Terminals screw</b>			M4
<b>Tightening torque for terminals max</b>		Nm	1.2
<b>Conductor size</b>			
AWG - Rigid cable			
	min	AWG	16
	Max	AWG	8
AWG - Flexible cable			
	min	AWG	16
	Max	AWG	10
Conductor size (IEC) - Flexible cable			
	min	mm <sup>2</sup>	1.5
	Max	mm <sup>2</sup>	6
Conductor size (IEC) - Rigid cable			
	min	mm <sup>2</sup>	1.5
	Max	mm <sup>2</sup>	10
<b>Mechanical life</b>		cycles	1X10 <sup>6</sup>
<b>UL technical data</b>			
<b>Motor power for direct-on-line control</b>			
for three-phase motor			
	120V	HP	3
	240V	HP	7.5
	480V	HP	15
	600V	HP	15
for single-phase motor			
	120V	HP	1.5
	240V	HP	3
<b>Ambient conditions</b>			
<b>Temperature</b>			
Operating temperature			
	min	°C	-25

Storage temperature	max	°C	+55
	min	°C	-40
	max	°C	+70

**Resistance & Protection**

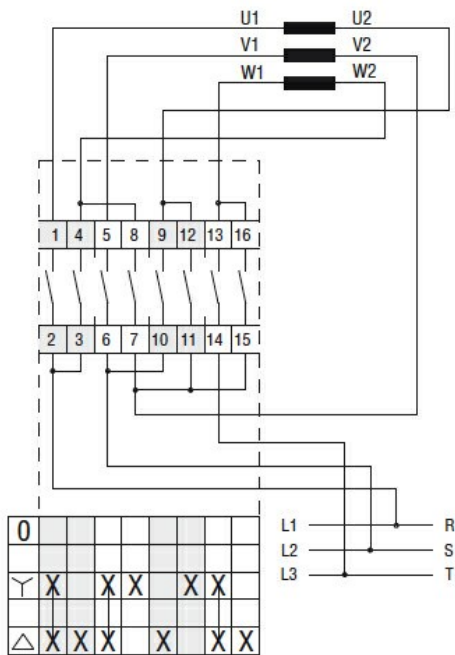
Frontal IP degree	IP65
Terminals IP degree	IP20

**Dimensions**



Series	Dimensions						L			
	□A	D1	D2	E	G	□K	1	2	3...12	
GX16	48	12	5	34.2	5	36	43	51.5	60	136.5
GX20	48	12	5	34.2	5	36	43	51.5	60	136.5
GX32	65	14	5	38	6	48	51	63	75	183
GX40	65	14	5	38	6	48	51	63	75	183

**Wiring diagrams**



**Certifications and compliance**

**Compliance**

- CSA C22.2 n° 14
- IEC/EN/BS 60947-1
- IEC/EN/BS 60947-3

---

IEC/EN/BS 60947-5-1

---

IEC/EN/BS 61058-1

---

UL60947-4-1

Certificates

---

cULus

---

EAC

ETIM classification

ETIM 8.0

EC001029 -  
Selector switch,  
complete