

## TECHNICAL DATA

Product type	Plug
Product NO.	SAC3MCA

### SAC3MCA Product Appearance



### Product features

- Quick, simple locking system
- Connect reliably
- Small size of product

**Technical parameters****1. Electrical parameters**

Contacts NO.	2+PE
Rated current	20A
Rated voltage	250V
Contact resistance	$\leq 5\text{m}\Omega$
Dielectric strength	4kV DC
Insulation resistance	$> 1000\text{M}\Omega$

**2. Mechanical parameters**

Service life	$> 1000$
Wire diameter	$2.5\text{mm}^2$
Diameter line	7mm-12mm
Type of terminals	screw type terminals

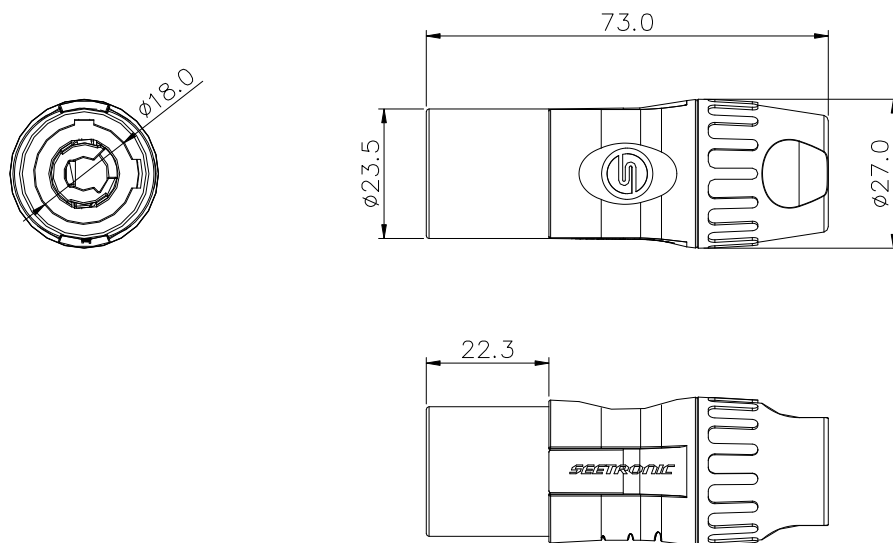
**3. Material and environmental parameters**

Shell	PA66+30%GF
Contacts	Cu alloy
Contact surface	Ag
Flame-retardant grade	UL94-V0
Temperature range	$-30^{\circ}\text{C}$ to $+80^{\circ}\text{C}$

**4. Standard**

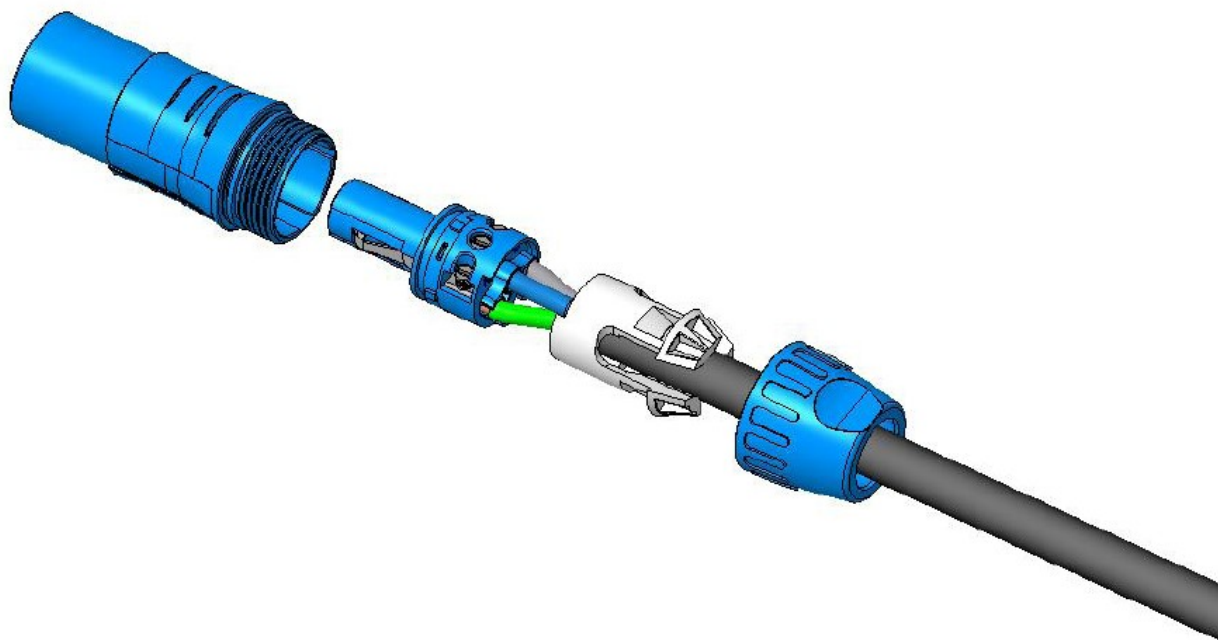
Standard	IEC61984 /UL1977
----------	------------------

## Product Profile



mm

## Installation instructions



***SEETRONIC***

SEETRONIC NINGBO CO., LTD