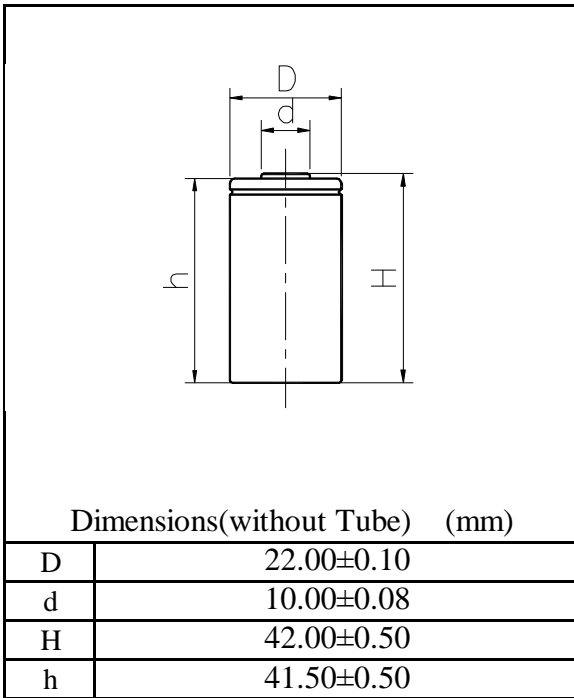


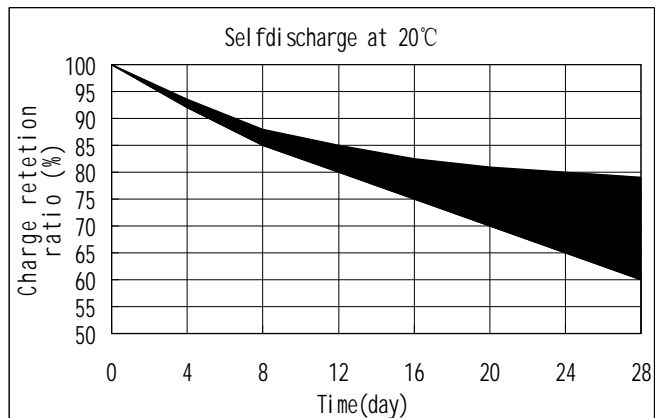
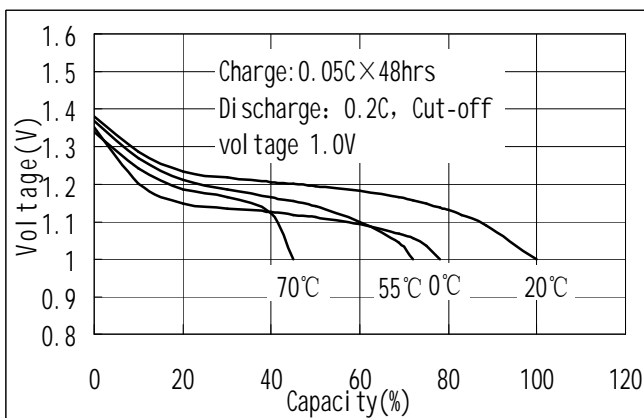
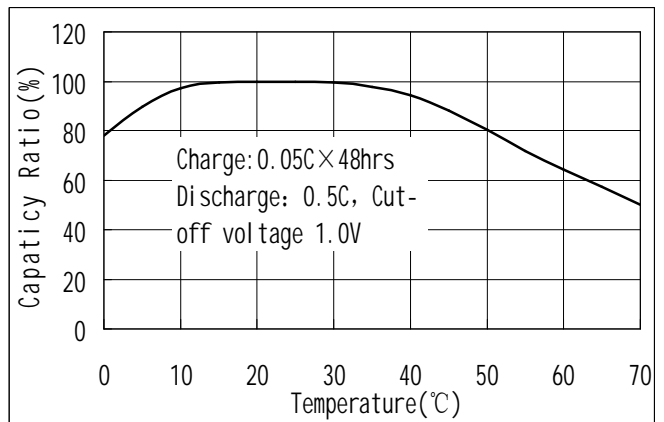
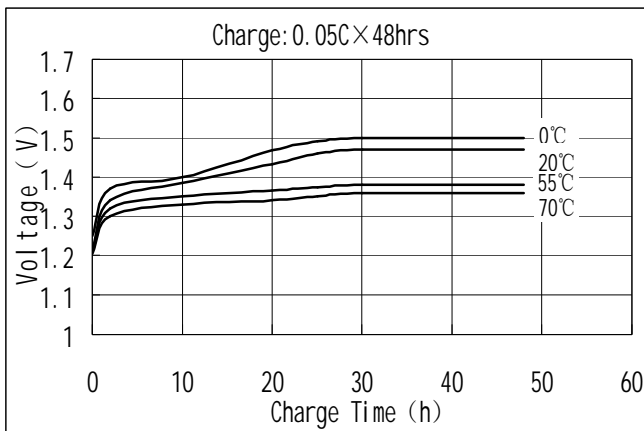
MODEL No: SC2500H

Description: 2500 mAh SIZE Ni-MH SC



Specification

| | | | |
|--|-----------|----------|------------|
| Nominal Capacity | | 2500 mAh | |
| Nominal Voltage | | 1.2 V | |
| Charge current | Trickle | 125 mA | |
| | Standard | 250 mA | |
| Charge time | Trickle | 48 Hrs~ | |
| | Standard | 16 Hrs | |
| Ambient Temperature | Charge | Trickle | 0°C~70°C |
| | | Standard | 0°C~70°C |
| | Discharge | | -20°C~70°C |
| | Storage | | -20°C~55°C |
| Internal Impedance(mΩ) (After Charge) | | ≤ 18 | |
| Weight | | 52 g | |



We reserve the right to alter or amend the design,model and specification without prior notice.