



Product designation

Adjustable rod
lever

Product type designation

KML

General characteristics

Material

Housing
Rod

Aluminium-zinc
alloy
Steel

Contact characteristics

Type of contact			3NC Slow action
Thermal current I _{th}		A	10
IEC/EN 60947-5-1 designation			A300 Q300
Rated insulation voltage U _i		V	440
Rated impulse withstand voltage U _{imp}		kV	4
Short-circuit protection with fuse		Class/A	10 gG/SC QUICK FUSE
Switching speed	min	m/s	0.5
	max	m/s	1.5
IEC Conventional free air thermal current I _{th}		A	10
Resistance per pole (average value)		mΩ	<10

Mechanical features

Operating head fixing			Locking bayonet insert
Operating torque		Ncm ozin	3 4.25
Tightening torque (Max)	Switch fixing	Nm lbin	2.5 22.1
	Contact terminals	Nm lbin	0.8 7
	Body lid screw fixing	Nm lbin	0.8 7
Conductor section	AWG/Kcmil	min max	16 14
	IEC	min max	mm ² mm ² 1 or 2 2.5
Cable connection			Self-releasing screw terminal

Cable entry	M20 on the bottom
-------------	-------------------

Operations

Mechanical life	cycles	<10000000
Mechanical operation	cycles/h	3600

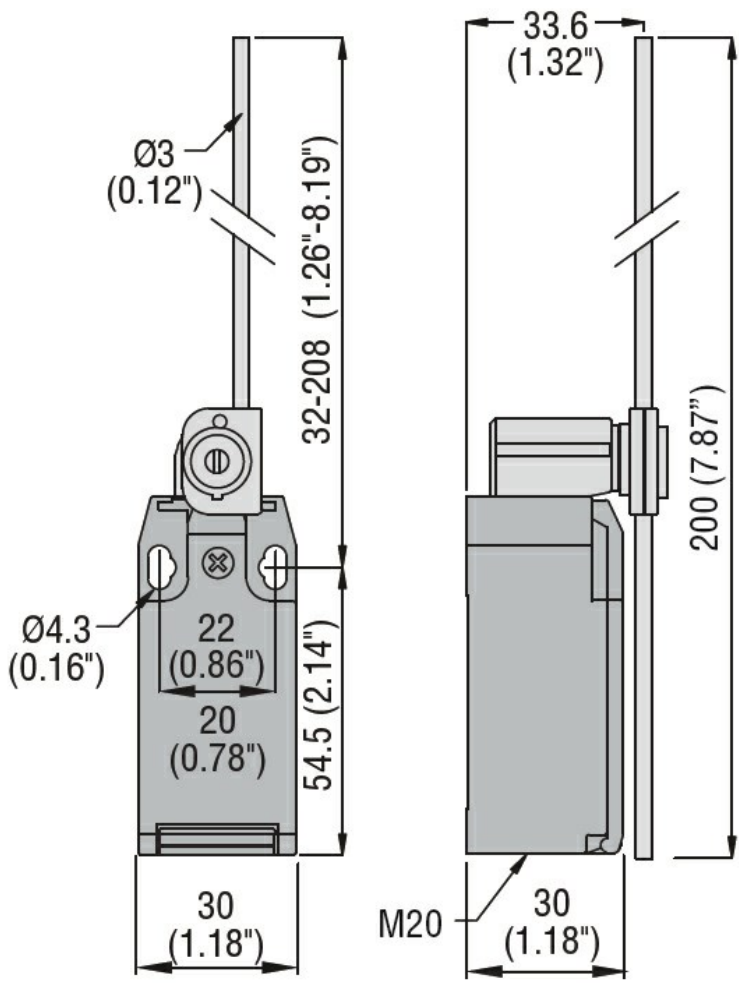
Ambient conditions

Temperature	Operating temperature	min	°C	-25
		max	°C	+70
	Storage temperature	min	°C	-40
		max	°C	+70

Resistance & Protection

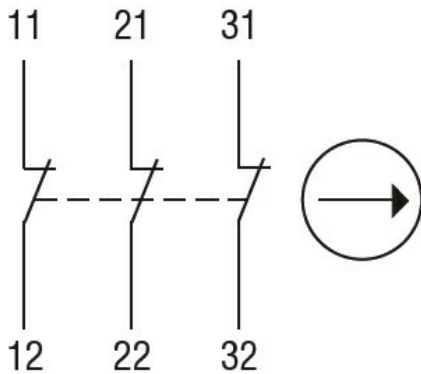
IP degree	Terminals	IP20
	Body housing	IP65
Pollution degree		3

Dimensions



Wiring diagrams

Slow action



3NC

Certifications and compliance

Compliance

CSA C22.2 n° 14

EN 50047

IEC/EN 60204-1

IEC/EN 60947-1

IEC/EN 60947-5-1

UL508

Certificates

CCC

cULus

EAC

ETIM classification

ETIM 8.0

EC000030 - End
switch