

Part number

CDDM 38



Male insert, CDD series, crimp connection, 38 poles + PE, 10 A 250 V 4 kV 2, size "66.16"

Product description	
Product type	Insert
Series	CDD
Connection type	Crimp connection
Gender	Male
N. of poles	38 poles +
Size	Size 66.16
Technical data	
Current	10 A
Voltage	250 V
Rated impulse withstand voltage	4 kV
Pollution degree	2
Rated voltage according to UL/CSA	600 V
IP degree of protection	IP20 without enclosure, IP65/IP66 with enclosure
Further technical details	
Characteristics according to EN 61984	10A 250V 4kV 2
Mating cycles	≥ 500
Insulation resistance	≥ 10 GΩ
Contact resistance	≤ 3 mΩ
Weight	34,50 g
Operating temperature range (min, max)	-40 °C ... +125 °C
UL 94 flammability rating	V-0
Tightening torque for PE connection	M4: 1,2 Nm; 10,6 lb.in (Ph2 or 1,0x5,5mm)
Tightening torque for fixing screws	M3: 0.5 Nm; 4.4 lb.in (Ph1 or 0.8x4 mm)

Material properties	
Main material	Polycarbonate (PC)
Colour	RAL 7032 grey
RoHs conformity	Compliant
China RoHs - EFUP	E
REACH SVHC substances	No
Approvals / Standards	
Reference standard	EN 61984:2009-06
Certifications	CSAc, CQC, DNV, BV, EAC
UL	ECBT2
cUL	ECBT8
General ordering information	
EAN13 code	8015747014076
eCl@ss 8.1	27440205
ETIM 7.0	EC000438
Packaging Information	
Packaging length	260,00 mm
Packaging height	120,00 mm
Packaging width	140,00 mm
Packaging weight	1,25 kg
Packaging volume	4,37 dm ³
Packaging description	Carton box
Packaging quantity	30 Pcs
Packaging EAN code	8015747014083
Sub-packaging length	118,00 mm
Sub-packaging height	32,00 mm
Sub-packaging width	76,00 mm
Sub-packaging weight	0,21 kg
Sub-packaging volume	0,29 dm ³
Sub-packaging description	Carton box
Sub-packaging quantity	5 Pcs
Sub-packaging EAN barcode	8015747014090

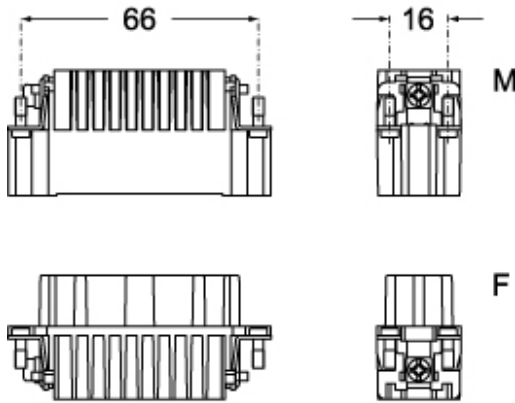
Part number

CDDM 38

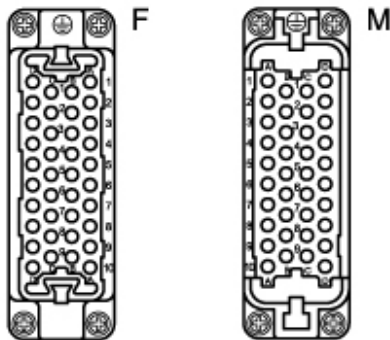


Catalogue drawings

CDDM 38

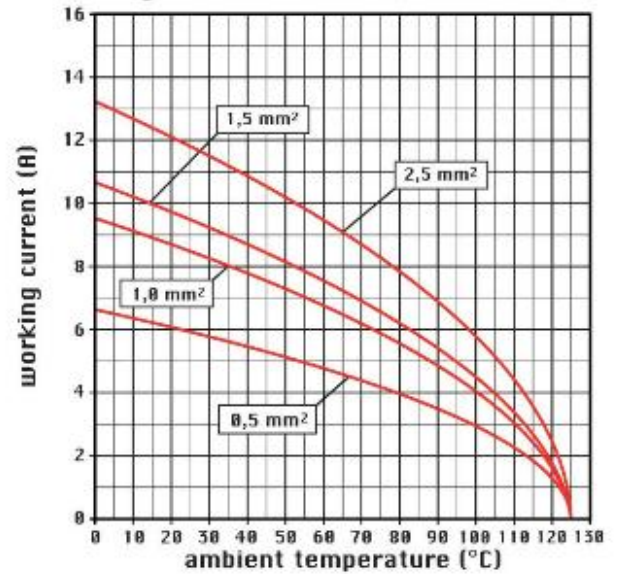


CDDF 38



Catalogue drawings

diagram CDD 38 and 76 poles



Notes

CDD 38 inserts:

- enclosures: size "66.16"
- C-TYPE IP65/IP66
- W_TYPE aggressive environments
- EMC
- panel supports: page: COB + adaptor
- rated voltage according to UL/CSA: 600V
- insulation resistance: >10 GOhm
- ambient temperature limit: -40°C ... +125°C
- are made of self-extinguishing thermoplastic resin UL 94 V0
- mechanical life: >500 cycles
- contact resistance:

Dimensions shown in mm are not binding and may be changed without notice.

California Proposition 65 Information



WARNING

This product can expose you to nickel compounds, known to the State of California to cause cancer and/or reproductive toxicity. For more information go to www.P65Warnings.ca.gov.

