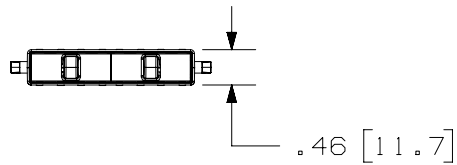
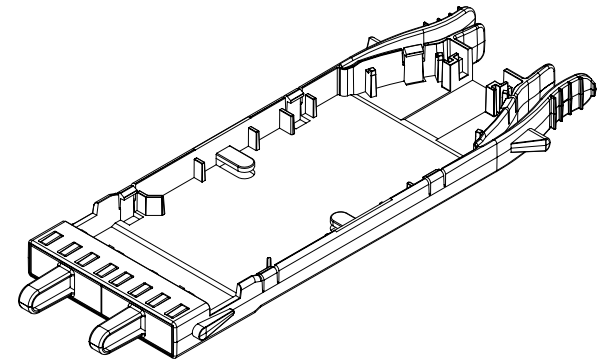
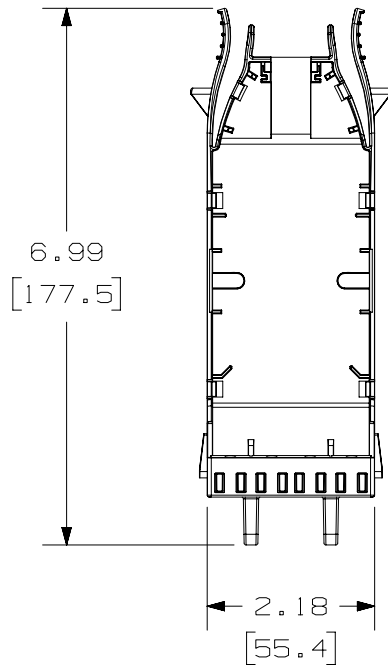



THIS COPY IS PROVIDED ON A RESTRICTED BASIS AND IS NOT TO BE USED IN ANY WAY DETRIMENTAL TO THE INTERESTS OF PANDUIT CORP.

NOTES:

1. SEE CURRENT CATALOG FOR PART NUMBER SUFFIXES TO INDICATE COLOR AND/OR PACKAGE QUANTITIES.
2. THE BLANKING CASSETTE IS DESIGNED FOR THE HD FLEX ENCLOSURES AND PATCH PANELS.
3. DIMENSIONS IN [] ARE METRIC.
4. WEIGHT: .06LBS (26.1g)



| 01A | 01-24-20 | SAT | SAT | EJH | RELEASED TO PRODUCTION | 12F187RX-DC |
|-----|----------|-----|-----|-----|------------------------|-------------|
| REV | DATE | BY | CHK | APR | DESCRIPTION | ECN |

| | | | | | |
|--------------------------------------------------------------------|--|---------------------------------------------------------------------------------------------------------------------------------------|--|--------------------|--|
| PART NUMBER | | FHSBBL04W | | | |
| TITLE | | HD FLEX 4-PORT BLANK CASSETTE | | | |
| | | CUSTOMER DRAWING | | | |
| ITEM REVISION NAME | | 12F187RX/01 | | | |
| DATASET FILE NAME | | 12F187RX_DC/01A | | | |
| UNLESS OTHERWISE SPECIFIED, DIMENSIONAL TOLERANCES ARE: IN [mm] | |  MATERIAL: POLYCARBONATE (BLACK) | | | |
| .x ± .1 [2.54] | | | | .xxx ± .005 [.127] | |
| .xx ± .01 [.25] | | | | ANGLES ± 5° | |
| DRAWN BY | | DATE | | | |
| SAT | | 01-24-20 | | | |
| CHK | | SCALE | | | |
| SAT | | NONE | | | |
| DRAWING NUMBER: | | SHT 1 OF 1 | | | |
| 12F187RX-DC | | A | | | |