

2

1

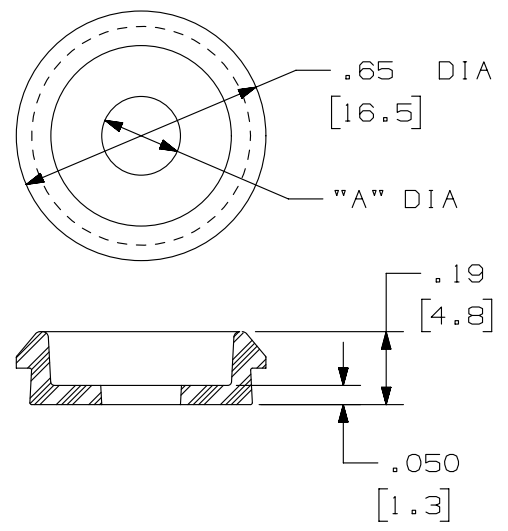
THIS COPY IS PROVIDED ON A RESTRICTED BASIS AND IS NOT TO BE USED IN ANY WAY DETRIMENTAL TO THE INTERESTS OF PANDUIT CORP.



PANDUIT P/N	"A" DIA.	WEIGHT
DB	.205 [5.2]	.123 LB/100 PCS [56 g/100 PCS]

NOTES:

- * 1. SEE CURRENT CATALOG FOR ADDITIONAL PART NUMBER SUFFIXES TO INDICATE COLOR AND OR PACKAGE QUANTITY.
- 2. DIMENSIONS IN PARENTHESES ARE IN METRIC.



REV	DATE	BY	CHK	APR	DESCRIPTION	ECN
3	10-04-13	JBN	MRJS	RTFI	B. REMOVED COLUMN	34301-09
2	03-18-13	JBN	RTFI	RTFI	A. UPDATED DRAWING BORDER & TITLE BLOCK	34301-09

TITLE WIRING DUCT DIVIDER WALL DB MOUNTING DISK CUSTOMER DRAWING					
ITEM REVISION NAME D34301BF/01			PANDUIT		
DATASET FILE NAME D34301BF_DC/01C					
UNLESS OTHERWISE SPECIFIED, DIMENSIONAL TOLERANCES ARE: IN [mm]					MATERIAL: POLYCARBONATE
.x ± .xx ± .03 [.8]			.xxx ± .010 [.3] ANGLES ±		
DRAWN BY DW		DATE 05-11-93	CHK KRKE	SCALE NONE	DRAWING NUMBER: 34301-09
SHT 1 OF 1				SIZE A	

2

1

D10100DA/15