

2

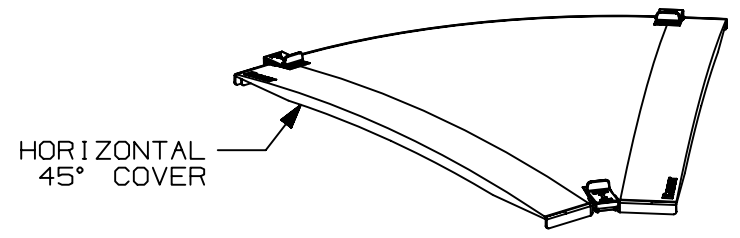
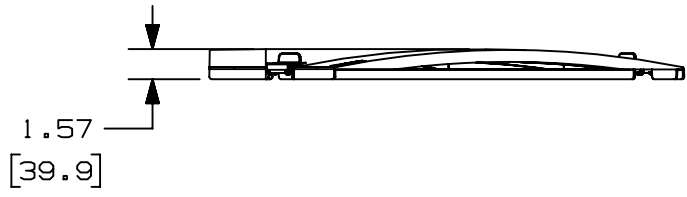
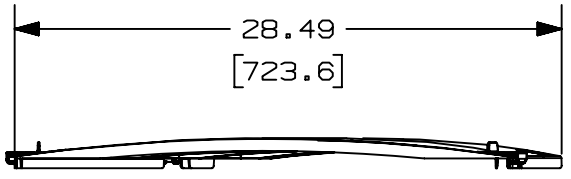
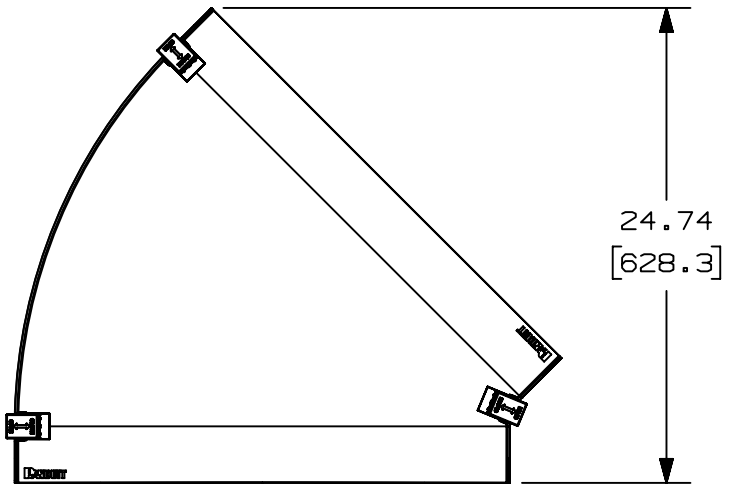
1

THIS COPY IS PROVIDED ON A RESTRICTED BASIS AND IS NOT TO BE USED IN ANY WAY DETRIMENTAL TO THE INTERESTS OF PANDUIT CORP.

NOTES:

1. SEE CURRENT CATALOG FOR ADDITIONAL PART SUFFIXES TO INDICATE COLOR AND/OR PACKAGE QUANTITY.
2. DIMENSIONS IN PARENTHESES ARE IN METRIC.
3. PARTS SUPPLIED:
(1)- HORIZONTAL 45° COVER

PANDUIT PART NUMBER	WEIGHT	MATERIAL
FRH45CV24**	3.18 LB/EACH (1442g/EACH)	ABS
FRH45CV24L**	3.18 LB/EACH (1442g/EACH)	PC/ABS



A

A

TITLE		FIBERRUNNER 24x4 HORIZONTAL 45° ANGLE COVER (FRH45CV24**, FRH45CV24L**)	
ITEM REVISION NAME		D39701EA/00	
DATASET FILE NAME		D39701EA_DC/00B	
MATERIAL:		SEE PART NUMBER TABLE ABOVE	
DRAWING NUMBER:		39701-68	
THIRD ANGLE PROJECTION			
DRAWN BY	DATE	CHK	SCALE
MSO	7/8/09	SL	NONE
SHT 1 OF 1		SIZE A	

00B	9/1/20	MEX-JAGC	DWR	DWR	ADDED PART NUMBER UPDATED DRAWING BORDER & TITLE BLOCK	V09002DZ/11
REV	DATE	BY	CHK	APR	DESCRIPTION	ECN

2

1

D10100DA/20