

Part number

MZO 15 L20



Hood, IL-BRID series, with 2 pegs, M20 side cable entry, size "49.16"

Product description

Product type	Hood
Series	IL-BRID
Closing type	With 2 pegs
Size	Size "49.16"
Cable entry	Side cable entry M20

Technical data

IP degree of protection	IP66
--------------------------------	------

Further technical details

Weight	115,00 g
Operating temperature range (min, max)	-40°C...+125°C

Material properties

Colour	RAL 7040 grey
RoHs conformity	Compliant
China RoHs - EFUP	E
REACH SVHC substances	No

Approvals / Standards

UL	ECBT2
cUL	ECBT8

General ordering information

EAN13 code	8015747060264
eCl@ss 8.1	27440202
ETIM 7.0	EC000437

Packaging Information

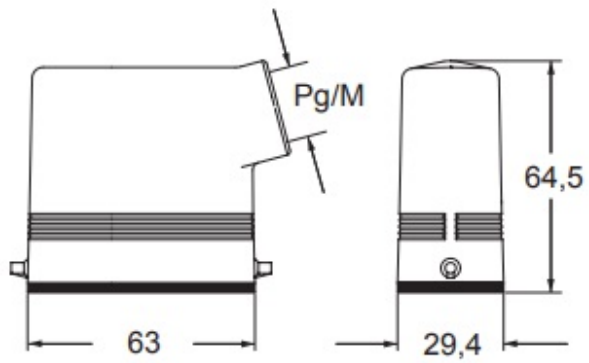
Packaging length	270,00 mm
Packaging height	75,00 mm
Packaging width	180,00 mm
Packaging weight	2,43 kg
Packaging volume	3,65 dm ³
Packaging description	Carton box
Packaging quantity	20 Pcs
Packaging EAN code	8015747208475
Sub-packaging weight	0,61 kg
Sub-packaging description	Plastic packaging
Sub-packaging quantity	5 Pcs
Sub-packaging EAN barcode	8015747171571

Part number

MZO 15 L20



Catalogue drawings



Notes

Dimensions shown in mm are not binding and may be changed without notice.
