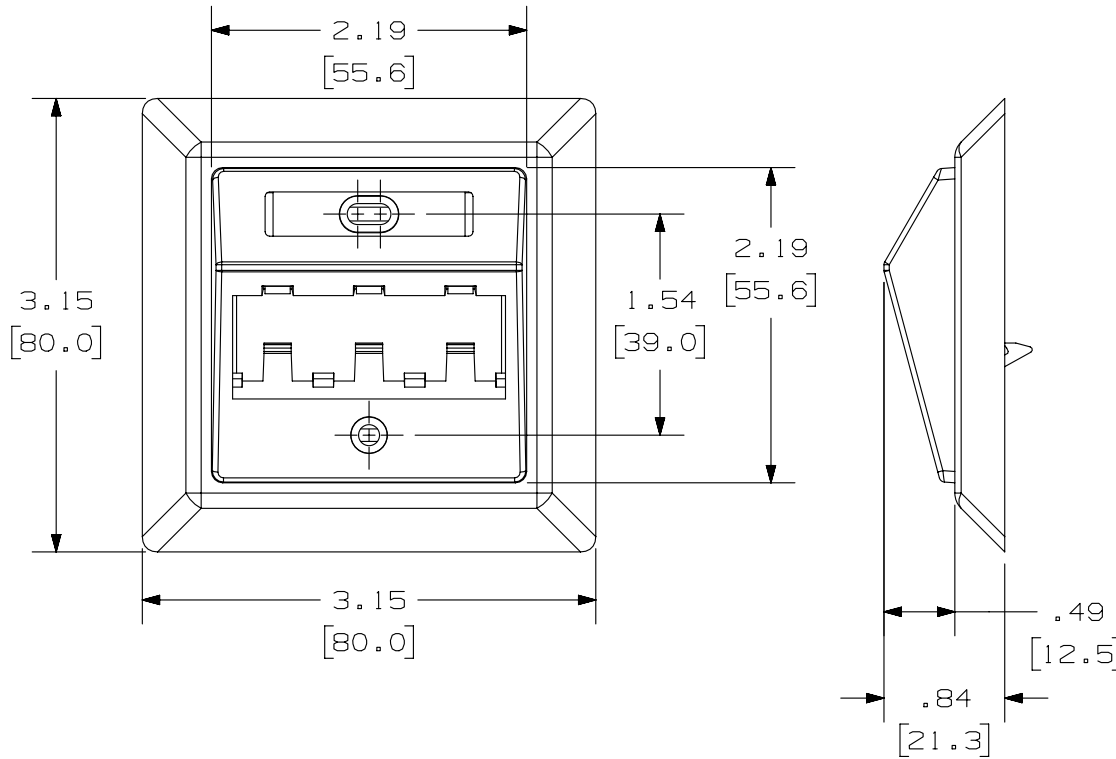


THIS COPY IS PROVIDED ON A RESTRICTED BASIS AND IS NOT TO BE USED IN ANY WAY DETRIMENTAL TO THE INTERESTS OF PANDUIT CORP.

PANDUIT P/N	WEIGHT
CS3P6TG**Y	4.13 LB/10 PCS. (1873.3 g/10 PCS.)

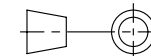


NOTES:

- SEE CURRENT CATALOG FOR ADDITIONAL PART NUMBER SUFFIXES TO INDICATE COLOR AND OR PACKAGE QUANTITY.
- SEE CATALOG FOR COMPLETE LIST OF PARTS APPLICABLE FOR USE WITH THIS PART.
- DIMENSIONS IN [ ] ARE IN METRIC.
- KIT INCLUDES:
  - 1- METAL MOUNTING PLATE
  - 1- SCREW
  - 1- LABEL/COVER
  - 1- CHES3\*\*Y FACEPLATE
  - 1- FCFP\*\* BEZEL
  - 3- MINI-COM TX6 PLUS SHIELDED JACK MODULE- CJS688TGY

PART NUMBER		CS3P6TG**Y	
TITLE			
MINI-COM 3 POSITION SLOPED GERMAN FACEPLATE KIT WITH CAT6 SHIELDED MODULES INCLUDED			
CUSTOMER DRAWING			
ITEM REVISION NAME		M02479GP/00	
DATASET FILE NAME		M02479GP_DC174/00C	
UNLESS OTHERWISE SPECIFIED, DIMENSIONAL TOLERANCES ARE: IN [ mm ]		MATERIAL:	
.x ± .1 [ 2.54 ]      .xxx ± .005 [ .127 ]		DRAWING NUMBER: 02479-174	
.xx ± .01 [ .25 ]      ANGLES ± 5 °			
THIRD ANGLE PROJECTION		SHT 1 OF 1	
DRAWN BY	DATE	CHK	SCALE
MJD	4-22-06	MJD	NONE
REV	DATE	BY	CHK
1	3-11-14	MDJR	REFR
R	4-22-06	JSP	MJD
APR	DESCRIPTION		ECN
	a. revised drawing title block.		02479-174
	RELEASED TO PRODUCTION		02479-174

**PANDUIT**



THIRD ANGLE PROJECTION

D101000DA/14