



CDE50-01421

CDE50

4DPROCONNECTIVITY

SICK
Sensor Intelligence.



Ordering information

| Type | Part no. |
|-------------|----------|
| CDE50-01421 | 1111887 |

Other models and accessories → www.sick.com/CDE50



Detailed technical data

Features

| | |
|---------------------------|--|
| Brief description | Connection of a SICK sensor in a Power-over-Ethernet (PoE) environment. Splitting of PoE signal into 24 volt supply voltage and Ethernet. |
| Supported products | CLV62x ¹⁾ CLV63x ¹⁾ CLV64x ¹⁾ CLV65x ¹⁾ CLV69x ¹⁾ Lector® series RFID read/write device |

¹⁾ Functionality of the signal LEDs in the housing cover only available for products with 17-pin M12 male connector.

Mechanics/electronics

| | |
|-------------------------------|--|
| Connection type | 1 x "DEVICE" connection, 15-pin D-Sub HD female connector 1 x "Ethernet" connection, 8-pin RJ45 female connector ¹⁾ 1 x "PoE IN" connection, 8-pin RJ45 female connector ¹⁾ 1 x "I/O" connection, 5-pin M12 female connector, A-coded |
| Supply voltage | 48 V DC (42 V DC ... 57 V DC) |
| Power consumption | < 4 W, If no devices are connected and without control of the signal LEDs |
| Power output | 21.5 W, Without operation of signal LEDs 19.5 W, During operation of a signal LED 17.5 W, During simultaneous operation of both signal LEDs |
| Housing | Aluminum, polypropylene |
| Housing color | Aluminum (unpainted) |
| Enclosure rating | IP20 |
| Protection class | III |
| Weight | 265 g |
| Dimensions (L x W x H) | 138 mm x 94 mm x 35 mm |

¹⁾ Maximum length of cable: 100 m.

Interfaces

| | | |
|-----------------------|------------------------|---|
| Ethernet | Function | PoE IN: Power-over-Ethernet ETHERNET: Ethernet |
| | Data transmission rate | 10/100 MBit/s |
| Digital inputs | | 1 |

| | |
|---------------------------|---------------|
| Digital outputs | 2 |
| Optical indicators | LEDs (In cap) |

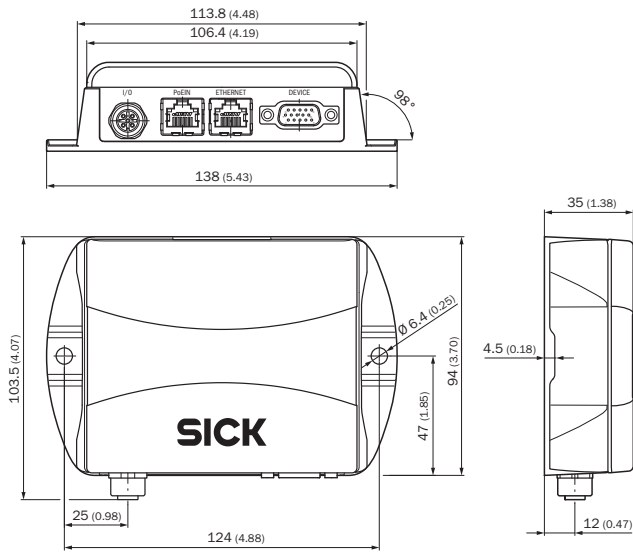
Ambient data

| | |
|--|---|
| Electromagnetic compatibility (EMC) | IEC 61000-6-2:2016-08 / IEC 61000-6-4:2018-02 |
| Vibration resistance | EN 60068-2-6:2008-02 |
| Ambient operating temperature | -40 °C ... +45 °C |
| Storage temperature | -40 °C ... +70 °C |
| Permissible relative humidity | < 90 %, Non-condensing |

Classifications

| | |
|-----------------------|----------|
| ECLASS 5.0 | 27242208 |
| ECLASS 5.1.4 | 27242608 |
| ECLASS 6.0 | 27242608 |
| ECLASS 6.2 | 27242608 |
| ECLASS 7.0 | 27242608 |
| ECLASS 8.0 | 27242608 |
| ECLASS 8.1 | 27242608 |
| ECLASS 9.0 | 27242608 |
| ECLASS 10.0 | 27242608 |
| ECLASS 11.0 | 27242608 |
| ECLASS 12.0 | 27242608 |
| ETIM 5.0 | EC001604 |
| ETIM 6.0 | EC001604 |
| ETIM 7.0 | EC001604 |
| ETIM 8.0 | EC001604 |
| UNSPSC 16.0901 | 32151705 |

Dimensional drawing (Dimensions in mm (inch))



SICK AT A GLANCE

SICK is one of the leading manufacturers of intelligent sensors and sensor solutions for industrial applications. A unique range of products and services creates the perfect basis for controlling processes securely and efficiently, protecting individuals from accidents and preventing damage to the environment.

We have extensive experience in a wide range of industries and understand their processes and requirements. With intelligent sensors, we can deliver exactly what our customers need. In application centers in Europe, Asia and North America, system solutions are tested and optimized in accordance with customer specifications. All this makes us a reliable supplier and development partner.

Comprehensive services complete our offering: SICK LifeTime Services provide support throughout the machine life cycle and ensure safety and productivity.

For us, that is “Sensor Intelligence.”

WORLDWIDE PRESENCE:

Contacts and other locations –www.sick.com