

Part number

CX 75 RF



Female crimp coaxial contact, CX R series, 75 Ohm

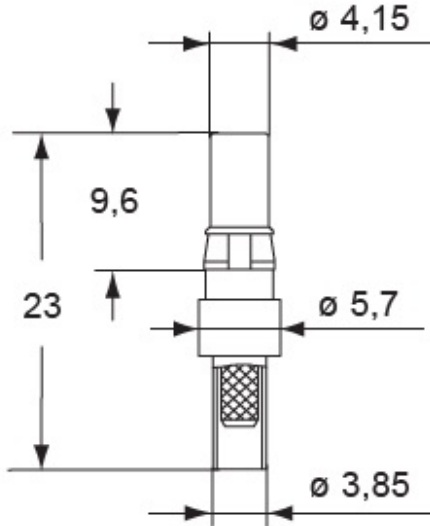
Product description		General ordering information	
Product type	Crimp coaxial contact	EAN13 code	8015747232944
Series	CX R	eCl@ss 8.1	27440204
Gender	Female	ETIM 7.0	EC000796
Specification	75 Ohm	Packaging Information	
Technical data		Sub-packaging length	50,00 mm
Current	1 A	Sub-packaging height	44,00 mm
Voltage	50 V	Sub-packaging width	50,00 mm
Further technical details		Sub-packaging volume	0,11 dm ³
Weight	0,50 g	Sub-packaging description	Plastic box
Conductors stripping length	2,5 mm	Sub-packaging quantity	4 Pcs
		Sub-packaging EAN barcode	8015747233033

Part number

CX 75 RF



Catalogue drawings



Notes

For cables:

RG 179 B/U external $\varnothing 2,54 \pm 0,127$

RG 187 A/U external $\varnothing 2,79$ max

TZC 75 101 external $\varnothing 2,79$ max

California Proposition 65 Information



WARNING

This product can expose you to lead and its compounds, known to the State of California to cause cancer and/or reproductive toxicity. For more information go to www.P65Warnings.ca.gov.

Dimensions shown in mm are not binding and may be changed without notice.