

Part number

CDCF 10



Female insert, CDC series, crimp connection, 10 poles + PE, 16 A 250 V 4 kV 3, size "49.16"

| Product description | |
|---|--|
| Product type | Insert |
| Series | CDC |
| Connection type | Crimp connection |
| Gender | Female |
| N. of poles | 10 poles + |
| Size | Size 49.16 |
| Technical data | |
| Current | 16 A |
| Voltage | 250 V |
| Rated impulse withstand voltage | 4 kV |
| Pollution degree | 3 |
| Rated voltage according to UL/CSA | 600 V |
| IP degree of protection | IP20 without enclosure, IP65/IP66 with enclosure |
| Further technical details | |
| Characteristics according to EN 61984 | 16A 250V 4kV 3; 16A 230/400V 4kV 2 |
| Mating cycles | ≥ 500 |
| Insulation resistance | ≥ 10 GΩ |
| Contact resistance | ≤ 1 mΩ |
| Weight | 28,00 g |
| Operating temperature range (min, max) | -40 °C ... +125 °C |
| UL 94 flammability rating | V-0 |
| Tightening torque for PE connection | M3,5: 0,8 Nm; 7,1 lb.in (Ph1 or 0,8 x 5,5 mm) |

| Material properties | |
|----------------------------------|------------------------|
| Main material | Polycarbonate (PC) |
| Colour | RAL 7032 grey |
| RoHs conformity | Compliant |
| China RoHs - EFUP | E |
| REACH SVHC substances | No |
| Approvals / Standards | |
| Reference standard | EN 61984:2009-06 |
| Certifications | CSA, CQC, DNV, BV, EAC |
| UL | ECBT2 |
| cUL | ECBT8 |
| General ordering information | |
| EAN13 code | 8015747013383 |
| eCl@ss 8.1 | 27440205 |
| ETIM 7.0 | EC000438 |
| Packaging Information | |
| Packaging weight | 1,03 kg |
| Packaging volume | 3,29 dm ³ |
| Packaging description | Carton box |
| Packaging quantity | 30 Pcs |
| Packaging EAN code | 8015747013390 |
| Sub-packaging length | 118,00 mm |
| Sub-packaging height | 32,00 mm |
| Sub-packaging width | 60,00 mm |
| Sub-packaging weight | 0,17 kg |
| Sub-packaging volume | 0,23 dm ³ |
| Sub-packaging description | Carton tray |
| Sub-packaging quantity | 5 Pcs |
| Sub-packaging EAN barcode | 8015747013406 |

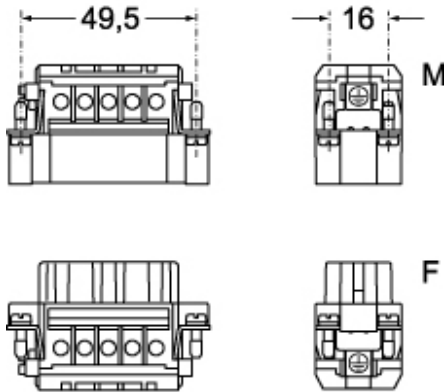
Part number

CDCF 10

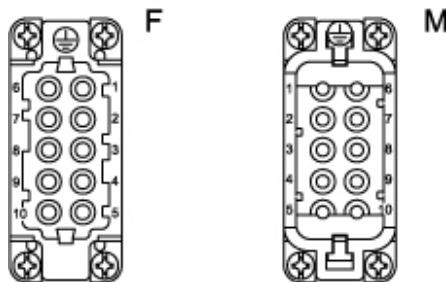


Catalogue drawings

CDCM 10

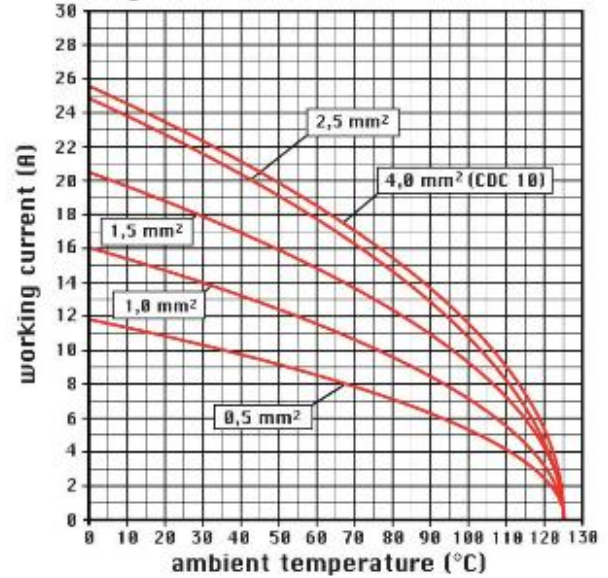


CDCF 10



Catalogue drawings

diagram CDA and CDC 10 poles



Notes

Dimensions shown in mm are not binding and may be changed without notice.

California Proposition 65 Information



WARNING

This product can expose you to nickel compounds, known to the State of California to cause cancer and/or reproductive toxicity. For more information go to www.P65Warnings.ca.gov.