



Product designation				Auxiliary contactor
Product type designation				BF00
Contact characteristics				
Number of poles	Nr.			4
Rated insulation voltage U_i IEC/EN	V			690
Rated impulse withstand voltage U_{imp}	kV			6
Operational frequency	min	Hz	25	
	max	Hz	400	
IEC Conventional free air thermal current I_{th}	A			10
Protection fuse	gG (IEC)		A	25
Tightening torque for terminals	min	Nm	1.5	
	max	Nm	1.8	
	min	lbin	1.1	
	max	lbin	1.5	
Tightening torque for coil terminal	min	Nm	0.8	
	max	Nm	1	
	min	lbin	0.8	
	max	lbin	0.74	
Max number of wires simultaneously connectable	Nr.			2
Conductor section	AWG/Kcmil			
			max	10
Flexible w/o lug conductor section	min	mm ²	1	
	max	mm ²	6	
Flexible c/w lug conductor section	min	mm ²	1	
	max	mm ²	4	
Flexible with insulated spade lug conductor section	min	mm ²	1	
	max	mm ²	4	
Power terminal protection according to IEC/EN 60529				IP20 when properly wired
Mechanical features				
Operating position	normal allowable		Vertical plan $\pm 30^\circ$	
Fixing				Screw / DIN rail 35mm
Weight				g 496

Conductor section	AWG/kcmil conductor section			max	10
Auxiliary contact characteristics					
Thermal current I _{th}				A	10
IEC/EN 60947-5-1 designation				A600 - P600	
Operating current AC15				230V	A 3
				400V	A 1.9
				500V	A 1.4
Operating current DC12				110V	A 5.7
Operating current DC13				24V	A 5.7
				48V	A 2.9
				60V	A 2.3
				110V	A 1.25
				125V	A 1.1
				220V	A 0.55
				600V	A 0.2
Operations					
Mechanical life				cycles	20000000
Safety related data					
Performance level B10d according to EN/ISO 13489-1				mechanical load	cycles 20000000
Mirror contacts according to IEC/EN 60947-4-1				YES	
EMC compatibility				yes	
DC coil operating					
DC rated control voltage				V	48
DC operating voltage					
	pick-up			min	%Us 70
				max	%Us 125
	drop-out			min	%Us 10
				max	%Us 40
Average coil consumption ≤20°C				in-rush	W 5.4
				holding	W 5.4
Max cycles frequency					
Mechanical operation				cycles/h	3600
Operating times					
Average time for U _s control	in DC				
	Closing NO			min	ms 54
				max	ms 66
	Opening NO			min	ms 14
				max	ms 17
	Closing NC			min	ms 24
				max	ms 30

Opening NC

min	ms	47
max	ms	57

UL technical data

General USE

Auxiliary contacts

AC current	A	10
------------	---	----

Contact rating of auxiliary contacts according to UL

A600 - P600

Ambient conditions

Temperature

Operating temperature

min	°C	-50
max	°C	70

Storage temperature

min	°C	-60
max	°C	80

Max altitude

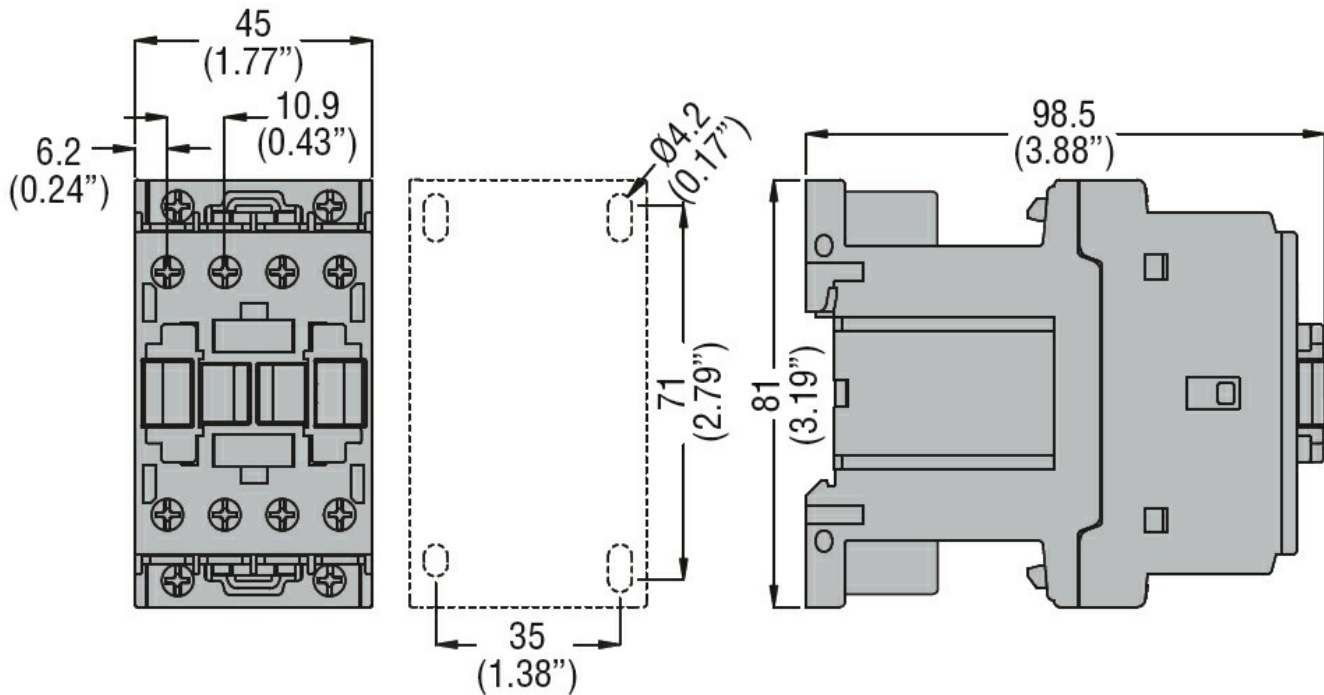
m 3000

Resistance & Protection

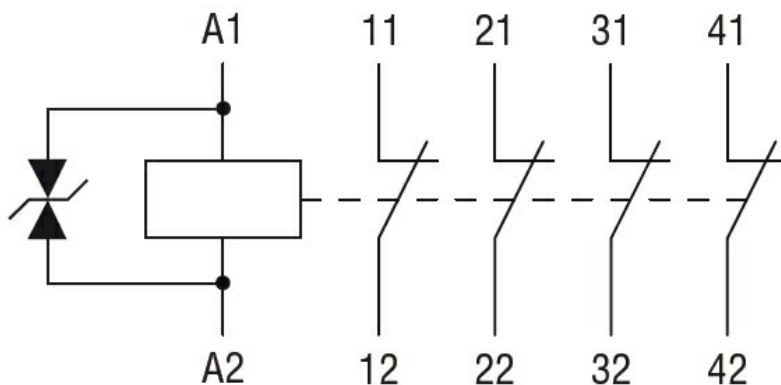
Pollution degree

3

Dimensions



Wiring diagrams



Certifications and compliance

Compliance

CSA C22.2 n° 60947-1

CSA C22.2 n° 60947-5-1

IEC/EN 60947-1

IEC/EN 60947-5-1

UL 60947-1

UL 60947-5-1

Certificates

CCC

cULus

EAC

ETIM classification

ETIM 8.0

EC000196 -
Contactor relay