

Part number

# MK VA20



Hood, CK series, with 2 pegs, M20 side cable entry, size "21.21", white colour

#### Product description

<b>Product type</b>	Hood
<b>Series</b>	CK
<b>Closing type</b>	With 2 pegs
<b>Size</b>	Size "21.21"
<b>Cable entry</b>	Side cable entry M20
<b>Specification</b>	White colour

#### Technical data

**IP degree of protection** IP44 - IP66 / IP67 / IP69 with CKR 65 (D)

#### Further technical details

<b>Weight</b>	19,00 g
<b>Operating temperature range (min, max)</b>	-40°C...+125°C

#### Material properties

<b>Colour</b>	RAL 7035 grey
<b>RoHs conformity</b>	Compliant
<b>China RoHs - EFUP</b>	E
<b>REACH SVHC substances</b>	No

#### Approvals / Standards

<b>UL</b>	ECBT2
<b>cUL</b>	ECBT8

#### General ordering information

<b>EAN13 code</b>	8015747056564
<b>eCl@ss 8.1</b>	27440202
<b>ETIM 7.0</b>	EC000437

#### Packaging Information

<b>Packaging length</b>	330,00 mm
<b>Packaging height</b>	170,00 mm
<b>Packaging width</b>	230,00 mm
<b>Packaging weight</b>	2,00 kg
<b>Packaging volume</b>	12,90 dm <sup>3</sup>
<b>Packaging description</b>	Carton box
<b>Packaging quantity</b>	100 Pcs
<b>Packaging EAN code</b>	8015747056571
<b>Sub-packaging weight</b>	0,20 kg
<b>Sub-packaging description</b>	Carton box
<b>Sub-packaging quantity</b>	10 Pcs
<b>Sub-packaging EAN barcode</b>	8015747056588

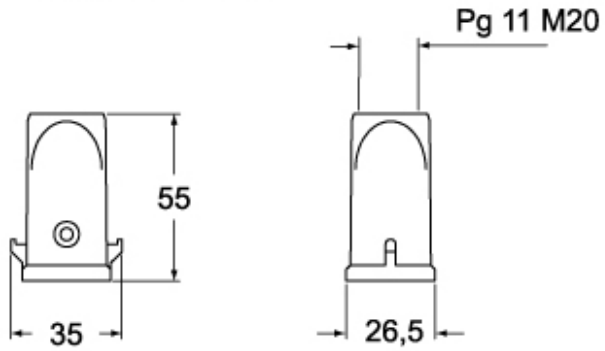
Part number

# MK VA20

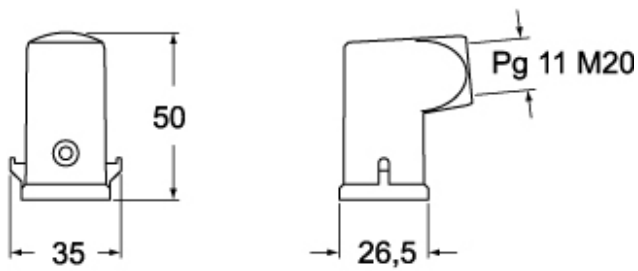


## Catalogue drawings

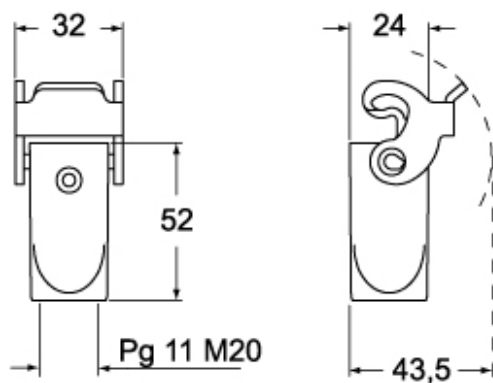
### CK V(N)S - MK V(N)



### CK VA(N)S - MK VA(N)



### CK VG(N)S - MK VG(N)



## Notes

Dimensions shown in mm are not binding and may be changed without notice.