

Ø 32 mm 3.9 Watts 3.9 W with leads Part number Contact us



- Nominal power : 3 W
- Versions with tag or lead connection
- Versions without filter or with standard filter or class B filter built into the motor
- Versions with or without encoder, 1 or 5 pulses per revolution, built into the motor

Part numbers

	Type	Type	Voltage	References
CONTACT US	3.9 W with leads	82860	24 V	With class B EMC filter

Specifications

No-load characteristics

Speed of rotation (rpm)	5000
Absorbed power (W)	1,92
Absorbed current (A)	0,08

Nominal characteristics

Speed (rpm)	3700
Torque (mNm)	7,7
Usable power (W)	3
Absorbed power (W)	6
Absorbed current (A)	0,26
Gearbox case temperature rise (°C)	50
Efficiency (%)	50

General characteristics

Insulation class (conforming to IEC 85)	B (130 °C)
Protection rating	IP40
Max. output power (W)	3,9
Start torque (mNm)	30
Starting current (A)	0,76
Resistance (Ω)	32
Inductance (mH)	41,6
Torque constant (Nm/A)	0,0448
Electrical time constant (ms)	1,3
Mechanical time constant (ms)	36
Thermal time constant (mn)	8
Inertia (g.cm ²)	19
Weight (g)	95
Number of segments	3
Service life (h)	3000
Sintered bronze bearings	■
Leads connection 250 mm	AWG24

Encoder characteristics

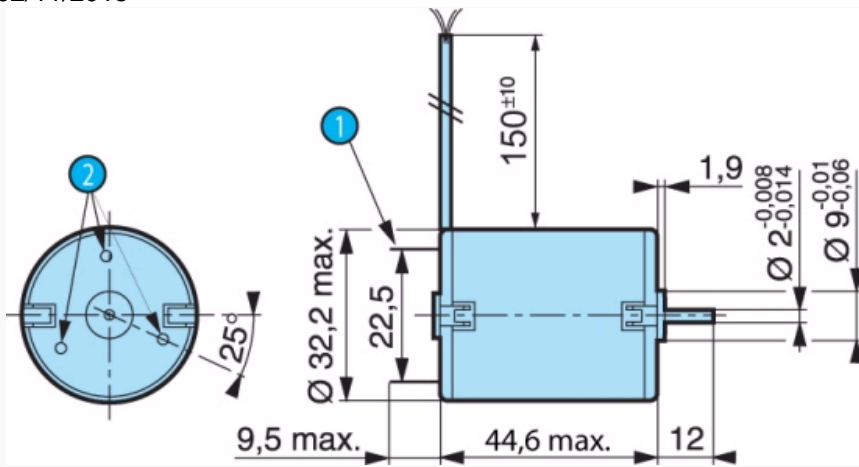
Connection	-
Output current (mA)	-
Supply (V)	-

Made to order products, available on request

- Other supply voltages
- Motor with 2 ball bearings
- Shaft lengths at front and/or rear
- Lead outputs or radial tag terminals
- Special interference suppression
- Encoder : 5 pulses/rev

Dimensions (mm)

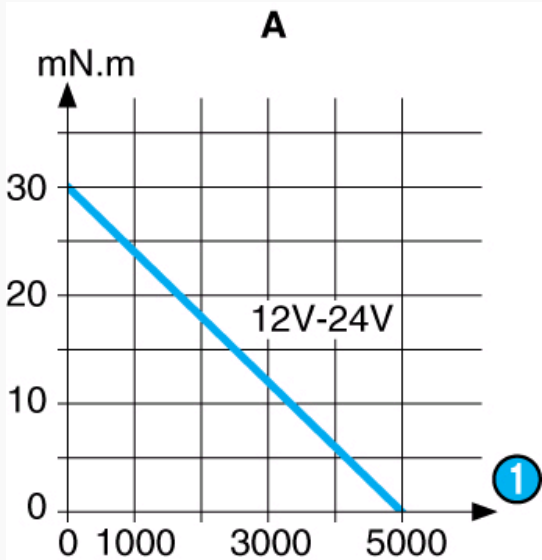
82 860 0 with encoder



N°	Legend
1	2 tags NFC 20 - 120 ; series 2.8 x 0.5
2	3 holes at 120° over Ø 26 mm : use self-tapping M2.2 screws ; screw depth max. 6 mm

Curves

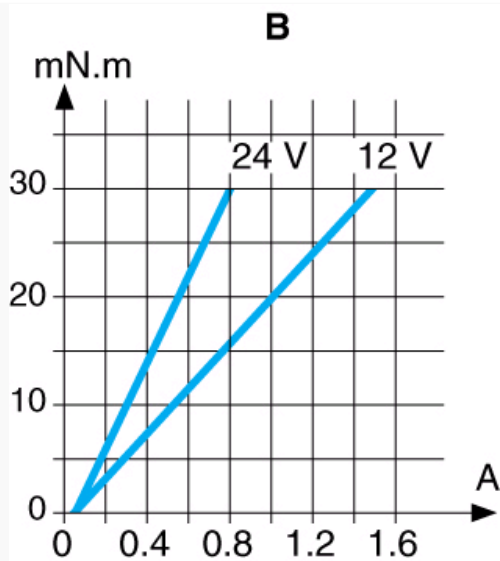
82860



N°	Legend
1	rpm
	Torque/nominal speed curve

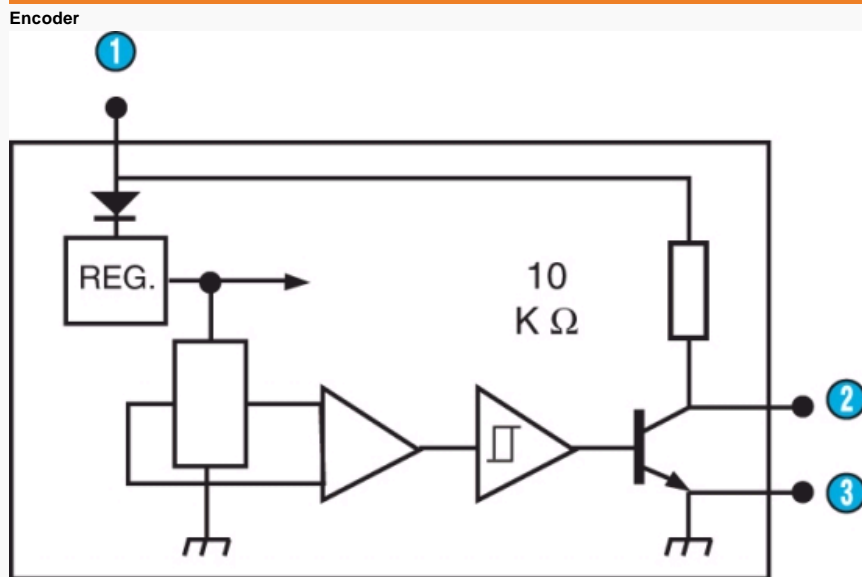
Curves

82860



N°	Legend
	Torque/current curve

Connections



N°	Legend
	Brown : +5 → +24 V DC (encoder power supply)
	Yellow : Signal output
	Blue : 0 V DC (encoder power ground supply)

Product adaptations

- Special output shaft
- Pinion on output shaft
- Special supply voltage
- Special cable length
- Special ball bearings
- Special mounting plate
- Customised electronics
- Special connectors
- Shorter 1 W motor