



IM18-08NU0-ZU0

IMW

INDUCTIVE PROXIMITY SENSORS

SICK
Sensor Intelligence.



Illustration may differ



Ordering information

| Type | Part no. |
|----------------|----------|
| IM18-08NUO-ZUO | 7902125 |

Included in delivery: BEF-MU-M18 (1)

Other models and accessories → www.sick.com/IMW

Detailed technical data

Features

| | |
|--|--|
| Housing | Cylindrical thread design |
| Housing | Standard design |
| Thread size | M18 x 1 |
| Diameter | Ø 18 mm |
| Sensing range S_n | 8 mm |
| Safe sensing range S_a | 6.48 mm |
| Installation type | Non-flush |
| Switching frequency | 25 Hz ¹⁾ 50 Hz ²⁾ |
| Connection type | Cable, 2-wire, 2 m |
| Output function | NC |
| Electrical wiring | AC/DC 2-wire |
| Enclosure rating | IP67 ³⁾ |
| Items supplied | Mounting nut, brass, nickel-plated (2x) |

¹⁾ AC.

²⁾ DC.

³⁾ According to EN 60529.

Mechanics/electronics

| | |
|-----------------------|----------------------------|
| Supply voltage | 20 V AC/DC ... 250 V AC/DC |
| Voltage drop | ≤ 6.5 V AC, ≤ 6 V DC |

¹⁾ Supply voltage U_B and constant ambient temperature T_a .

²⁾ Of S_r .

³⁾ Repeatability (T_a not constant).

⁴⁾ AC (+50 °C).

⁵⁾ AC (+80 °C).

⁶⁾ DC.

⁷⁾ 20 ms / 0.5 Hz.

⁸⁾ Miniature fuse to IEC 60217-2 Sheet 1, ≤ 2 A (quick-blow).

⁹⁾ Control of small electromagnetic loads with holding currents < 200 mA.

¹⁰⁾ Control of solenoids.

| | |
|---|--|
| Time delay before availability | ≤ 8 ms |
| Hysteresis | 1 % ... 15 % |
| Reproducibility | ≤ 10 % ^{1) 2) 3)} |
| Temperature drift (of S_r) | ± 10 % |
| EMC | According to EN 60947-5-2 As per EN 55011, class B |
| Continuous current I_a | ≤ 350 mA ⁴⁾ ≤ 250 mA ⁵⁾ ≤ 100 mA ⁶⁾ |
| Off-state current | ≤ 2.5 mA (AC 250 V) ≤ 1.3 mA (AC 110 V) ≤ 0.8 mA (DC 24 V) |
| Minimum load current | ≥ 5 mA |
| Short-time withstand current | 2.2 A ⁷⁾ |
| Cable material | PUR |
| Conductor size | 0.5 mm ² |
| Short-circuit protection | ⁸⁾ |
| Power-up pulse protection | ✓ |
| Shock and vibration resistance | 30 g, 11 ms / 10 ... 55 Hz, 1 mm |
| Ambient operating temperature | -25 °C ... +80 °C |
| Housing material | Brass, nickel-plated |
| Sensing face material | Plastic, PBT |
| Housing length | 80 mm |
| Thread length | 50 mm |
| Tightening torque, max. | ≤ 35 Nm |
| Protection class | II |
| Rated insulation voltage U_i | 250 V AC |
| Usage category | AC-140 ⁹⁾ DC-13 ¹⁰⁾ |
| Contamination rating | 3 |
| Rated impulse withstand voltage | 4 kV |

¹⁾ Supply voltage U_B and constant ambient temperature T_a.

²⁾ Of S_r.

³⁾ Repeatability (T_a not constant).

⁴⁾ AC (+50 °C).

⁵⁾ AC (+80 °C).

⁶⁾ DC.

⁷⁾ 20 ms / 0.5 Hz.

⁸⁾ Miniature fuse to IEC 60217-2 Sheet 1, ≤ 2 A (quick-blow).

⁹⁾ Control of small electromagnetic loads with holding currents < 200 mA.

¹⁰⁾ Control of solenoids.

Safety-related parameters

| | |
|-------------------------|-----------|
| MTTF_D | 966 years |
| DC_{avg} | 0 % |

| | |
|-------------------------------------|----------|
| T_M (mission time) | 20 years |
|-------------------------------------|----------|

Reduction factors

| | |
|-----------------------------------|--|
| Note | The values are reference values which may vary |
| Stainless steel (V2A, 304) | Approx. 0.8 |
| Aluminum (Al) | Approx. 0.45 |
| Copper (Cu) | Approx. 0.4 |

Installation note

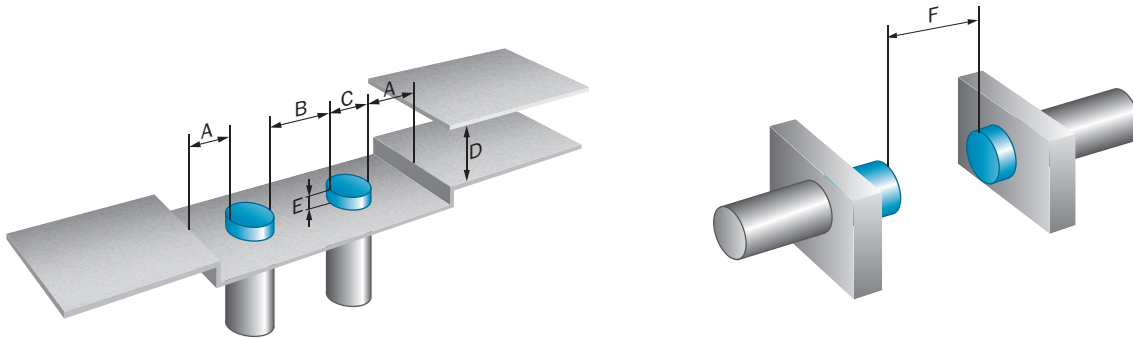
| | |
|---------------|---------------------------------------|
| Remark | Associated graphic see "Installation" |
| A | 18 mm |
| B | 36 mm |
| C | 18 mm |
| D | 24 mm |
| E | 16 mm |
| F | 64 mm |

Classifications

| | |
|-----------------------|----------|
| ECLASS 5.0 | 27270101 |
| ECLASS 5.1.4 | 27270101 |
| ECLASS 6.0 | 27270101 |
| ECLASS 6.2 | 27270101 |
| ECLASS 7.0 | 27270101 |
| ECLASS 8.0 | 27270101 |
| ECLASS 8.1 | 27270101 |
| ECLASS 9.0 | 27270101 |
| ECLASS 10.0 | 27270101 |
| ECLASS 11.0 | 27270101 |
| ECLASS 12.0 | 27274001 |
| ETIM 5.0 | EC002714 |
| ETIM 6.0 | EC002714 |
| ETIM 7.0 | EC002714 |
| ETIM 8.0 | EC002714 |
| UNSPSC 16.0901 | 39122230 |

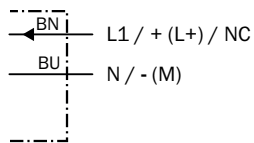
Installation note

Non-flush installation



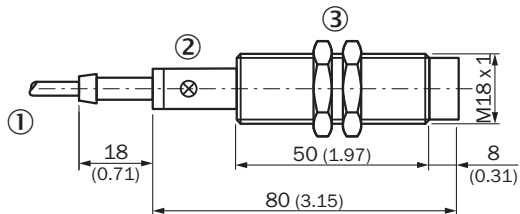
Connection diagram

Cd-039



Miniature fuse to IEC60127-2 sheet 1, ≤ 2 A (fast acting)


Dimensional drawing (Dimensions in mm (inch))





- ① Connection
- ② Display LED
- ③ Fastening nuts (2x); width across 24, metal

Recommended accessories

Other models and accessories → www.sick.com/IMW

| | Brief description | Type | Part no. |
|---|---|------------|----------|
| Mounting brackets and plates | | | |
|  | Mounting plate for M18 sensors, steel, zinc coated, without mounting hardware | BEF-WG-M18 | 5321870 |

| | Brief description | Type | Part no. |
|---|--|-------------|-----------------|
|  | Mounting bracket for M18 sensors, steel, zinc coated, without mounting hardware | BEF-WN-M18 | 5308446 |
| Terminal and alignment brackets | | | |
|  | Clamping block for round sensors M18, without fixed stop, plastic (PA12), glass-fiber reinforced, mounting hardware included | BEF-KH-M18 | 2051481 |

SICK AT A GLANCE

SICK is one of the leading manufacturers of intelligent sensors and sensor solutions for industrial applications. A unique range of products and services creates the perfect basis for controlling processes securely and efficiently, protecting individuals from accidents and preventing damage to the environment.

We have extensive experience in a wide range of industries and understand their processes and requirements. With intelligent sensors, we can deliver exactly what our customers need. In application centers in Europe, Asia and North America, system solutions are tested and optimized in accordance with customer specifications. All this makes us a reliable supplier and development partner.

Comprehensive services complete our offering: SICK LifeTime Services provide support throughout the machine life cycle and ensure safety and productivity.

For us, that is “Sensor Intelligence.”

WORLDWIDE PRESENCE:

Contacts and other locations –www.sick.com