



Product designation

Rotary cam
switches

Product type designation

GX32

General characteristics

Switching diagram

91 - ON/OFF
switch 2 poles

N° of elements

1

Mounting form

U25 - Front
mounting with
red/yellow handle
padlockable in 0
and protection
covers

Contact characteristics

Rated insulation voltage U_i

| | | |
|--------|---|-----|
| IEC/EN | V | 690 |
| UL/CSA | V | 600 |

Rated impulse withstand voltage U_{imp}

| | |
|----|---|
| kV | 6 |
|----|---|

Conventional free air thermal current I_{th}

| | | |
|--------|---|----|
| IEC/EN | A | 32 |
| UL/CSA | A | 32 |

Rated operational voltage

| | |
|---|-----|
| V | 440 |
|---|-----|

Rated operational impulse voltage

| | |
|----|---|
| kV | 4 |
|----|---|

Maximum fuse size for short-circuit protection I_n (gG)

| | | |
|------|---|----|
| 10kA | A | 35 |
| 15kA | A | 35 |
| 25kA | A | 35 |

Rated short time current I_{cw}

| | | |
|----|---|------|
| 1s | A | 1000 |
|----|---|------|

Conductivity

| |
|-----------|
| 10/5 mA/V |
|-----------|

Operational current I_e IEC/EN

AC1/AC21A

| | |
|---|----|
| A | 32 |
|---|----|

AC15

| | | |
|----------|---|----|
| 110V | A | 25 |
| 220/230V | A | 20 |
| 380/400V | A | 10 |
| 660/690V | A | 2 |

Rated operational power in AC

Three-phase AC-3

| | | |
|----------|----|-----|
| 220/230V | kW | 7.5 |
| 380/440V | kW | 11 |
| 500/690V | kW | 11 |

Single-phase AC-3

| | | |
|----------|----|-----|
| 110V | kW | 1.8 |
| 220/230V | kW | 3.5 |

| | | | |
|---|----------|-----------------|-------------------|
| | 380/440V | kW | 5.5 |
| Three-phase AC23A | 220/230V | kW | 8 |
| | 380/440V | kW | 15 |
| | 500/690V | kW | 15 |
| Single-phase AC23A | 110V | kW | 2.2 |
| | 220/230V | kW | 3.5 |
| | 380/440V | kW | 6 |
| Rated operational current in DC | | | |
| DC21A | 48V | A | 32 |
| | 60V | A | 32 |
| | 110V | A | 5 |
| | 220V | A | 0.8 |
| | 440V | A | 0.25 |
| DC23A (poles in series) | 24V | A | 32 (1) |
| | 48V | A | 32 (2) |
| | 60V | A | 32 (3) |
| | 110V | A | 15 (3) |
| | 220V | A | 12 (4) |
| DC13 | 24V | A | 32 |
| | 48V | A | 25 |
| | 60V | A | 14 |
| | 110V | A | 3 |
| | 220V | A | 0.5 |
| | 440V | A | 0.15 |
| Power dissipation | | W | 1.6 |
| Mechanical features | | | |
| Terminals screw | | | M4 |
| Tightening torque for terminals max | | Nm | 1.2 |
| Conductor size | | | |
| AWG - Rigid cable | | | |
| | min | AWG | 16 |
| | Max | AWG | 8 |
| AWG - Flexible cable | | | |
| | min | AWG | 16 |
| | Max | AWG | 10 |
| Conductor size (IEC) - Flexible cable | | | |
| | min | mm ² | 1.5 |
| | Max | mm ² | 6 |
| Conductor size (IEC) - Rigid cable | | | |
| | min | mm ² | 1.5 |
| | Max | mm ² | 10 |
| Mechanical life | | cycles | 1X10 ⁶ |
| UL technical data | | | |
| Motor power for direct-on-line control for three-phase motor | | | |
| | 120V | HP | 3 |
| | 240V | HP | 7.5 |
| | 480V | HP | 15 |
| | 600V | HP | 15 |

for single-phase motor

| | | |
|------|----|-----|
| 120V | HP | 1.5 |
| 240V | HP | 3 |

Ambient conditions

Temperature

Operating temperature

| | | |
|-----|----|-----|
| min | °C | -25 |
| max | °C | +55 |

Storage temperature

| | | |
|-----|----|-----|
| min | °C | -40 |
| max | °C | +70 |

Resistance & Protection

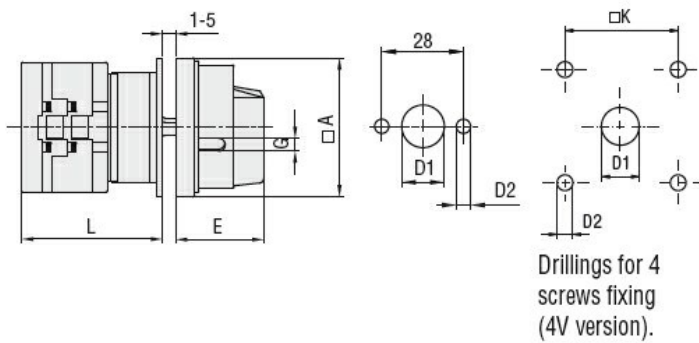
Frontal IP degree

IP65

Terminals IP degree

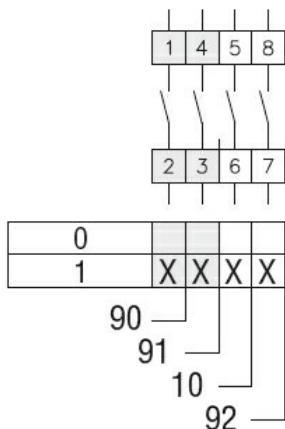
IP20

Dimensions



| Series | Dimensions | | | | | | L | | | |
|-------------|------------|----|----|------|---|----|----|------|--------|-------|
| | □A | D1 | D2 | E | G | □K | 1 | 2 | 3...12 | |
| GX16 | 48 | 12 | 5 | 34.2 | 5 | 36 | 43 | 51.5 | 60 | 136.5 |
| GX20 | 48 | 12 | 5 | 34.2 | 5 | 36 | 43 | 51.5 | 60 | 136.5 |
| GX32 | 65 | 14 | 5 | 38 | 6 | 48 | 51 | 63 | 75 | 183 |
| GX40 | 65 | 14 | 5 | 38 | 6 | 48 | 51 | 63 | 75 | 183 |

Wiring diagrams



Certifications and compliance

Compliance

CSA C22.2 n° 14
IEC/EN/BS 60947-1
IEC/EN/BS 60947-3

IEC/EN/BS 60947-5-1

IEC/EN/BS 61058-1

UL60947-4-1

Certificates

cULus

EAC

ETIM classification

ETIM 8.0

EC001029 -
Selector switch,
complete