

Part number

MKAW V25



Hood, W-TYPE series, with 2 pegs, M25 top cable entry, size "21.21"

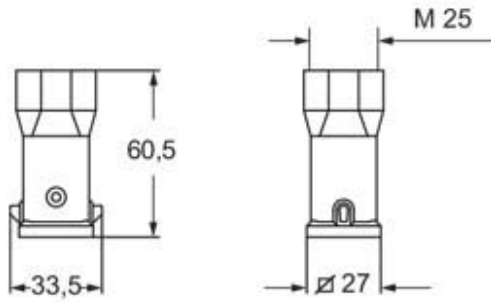
| Product description | | Material properties | |
|---|---|----------------------------------|----------------------|
| Product type | Hood | Main material | Zinc die-cast |
| Series | W-TYPE | Colour | RAL 7040 grey |
| Closing type | With 2 pegs | RoHs conformity | Compliant |
| Size | Size "21.21" | China RoHs - EFUP | E |
| Cable entry | Top cable entry M25 | REACH SVHC substances | No |
| Technical data | | Approvals / Standards | |
| IP degree of protection | IP44 - IP66 / IP67 / IP69 with CKR 65 (D) | Certifications | DNV, BV |
| Further technical details | | UL | ECBT2 |
| Weight | 69,50 g | cUL | ECBT8 |
| Operating temperature range (min, max) | -40°C...+125°C | General ordering information | |
| | | EAN13 code | 8015747225038 |
| | | eCl@ss 8.1 | 27440202 |
| | | ETIM 7.0 | EC000437 |
| | | Packaging Information | |
| | | Sub-packaging length | 185,00 mm |
| | | Sub-packaging height | 40,00 mm |
| | | Sub-packaging width | 155,00 mm |
| | | Sub-packaging weight | 0,70 kg |
| | | Sub-packaging volume | 1,15 dm ³ |
| | | Sub-packaging description | Carton box |
| | | Sub-packaging quantity | 10 Pcs |
| | | Sub-packaging EAN barcode | 8015747225045 |

Part number

MKAW V25



Catalogue drawings



Notes

Dimensions shown in mm are not binding and may be changed without notice.
