



Rotary cam switches
GN200

Product designation

Product type designation

General characteristics

Switching diagram

N° of elements

Mounting form

03 - ON/OFF
spring return
switch 3 poles

2
O - Rear
mounting with
black handle

Contact characteristics

Rated insulation voltage U_i

IEC/EN	V	690
UL/CSA	V	600

Rated impulse withstand voltage U_{imp}

kV 8

Conventional free air thermal current I_{th}

IEC/EN	A	200
UL/CSA	A	200

Rated operational voltage

V 690

Rated operational impulse voltage

kV 6

Maximum fuse size for short-circuit protection I_n (gG)

10kA	A	200
15kA	A	200

Rated short time current I_{cw}

1s A 3300

Operational current I_e IEC/EN

AC1/AC21A

A 200

Rated operational power in AC

Three-phase AC-3

220/230V	kW	27.5
380/440V	kW	47

Rated operational current in DC

DC21A

48V	A	200
60V	A	200
110V	A	35
220V	A	2.5
440V	A	0.9

Power dissipation

W 26

Mechanical features

Terminals screw

M10

Tightening torque for terminals max

Nm 10

Conductor size

AWG - Rigid cable

	Max	AWG	1X3
AWG - Flexible cable	Max	AWG	0
Conductor size (IEC) - Flexible cable	Max	mm ²	1X95
Conductor size (IEC) - Rigid cable	Max	mm ²	1X95
Mechanical life		cycles	2X10 ⁵

UL technical data

Motor power for direct-on-line control for three-phase motor	120V	HP	30
	240V	HP	50
	480V	HP	100
	600V	HP	75
for single-phase motor	120V	HP	15
	240V	HP	30

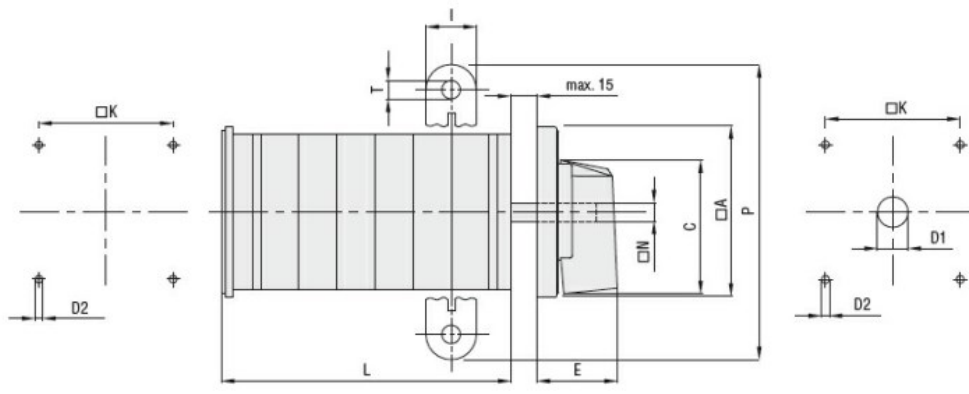
Ambient conditions

Temperature	Operating temperature		
	min	°C	-25
	max	°C	+55
	Storage temperature		
	min	°C	-40
	max	°C	+70

Resistance & Protection

Frontal IP degree	IP40
Terminals IP degree	IP00

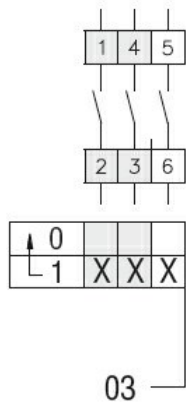
Dimensions



Series	Dimensions									L Number of elements ①											
	A	C	ØD2	E	I	K	N	P	ØT	1	2	3	4	5	6	7	8	9	10	11	12
GN200	132	104	5.3	56	20	104	10	140	10.5	77	107	136	166	196	226	284	314	343	373	402	432
GN315	132	104	5.3	56	20	104	10	145	10.5	77	107	136	166	196	226	284	314	343	373	402	432

① For devices with 6 or more elements please contact please consult Technical support, see contact details on inside front cover.

Wiring diagrams



Certifications and compliance

Compliance

IEC/EN/BS 60947-1
IEC/EN/BS 60947-3
IEC/EN/BS 60947-5-1
UL60947-4-1

Certificates

UR

ETIM classification

ETIM 8.0

EC001029 -
Selector switch,
complete