

Part number

CX 1.6 PM



Male pneumatic contact, without closing valve, for tubes with internal diameter 1,6 mm

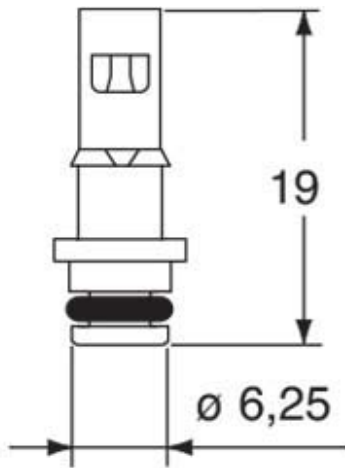
| Product description | | Material properties | |
|---|--|----------------------------------|----------------------|
| Product type | Pneumatic contact | Main material | Polyamide (PA) |
| Gender | Male | RoHS conformity | Compliant |
| Specification | Without closing valve For tubes with internal diameter 1,6 mm | China RoHS - EFUP | E |
| Further technical details | | REACH SVHC substances | No |
| Further technical details | | General ordering information | |
| Weight | 0,46 g | EAN13 code | 8015747042000 |
| Operating temperature range (min, max) | -40°C ... +125°C | eCl@ss 8.1 | 27440204 |
| | | ETIM 7.0 | EC000796 |
| | | Packaging Information | |
| | | Sub-packaging length | 50,00 mm |
| | | Sub-packaging height | 44,00 mm |
| | | Sub-packaging width | 50,00 mm |
| | | Sub-packaging volume | 0,11 dm ³ |
| | | Sub-packaging description | Plastic box |
| | | Sub-packaging quantity | 12 Pcs |
| | | Sub-packaging EAN barcode | 8015747042017 |

Part number

CX 1.6 PM



Catalogue drawings



Notes

Dimensions shown in mm are not binding and may be changed without notice.