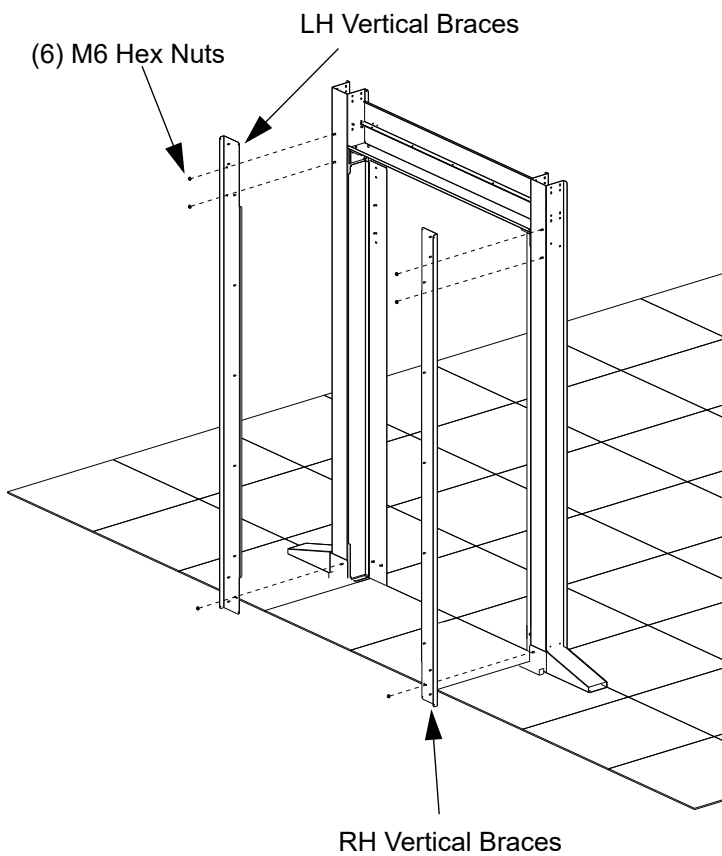


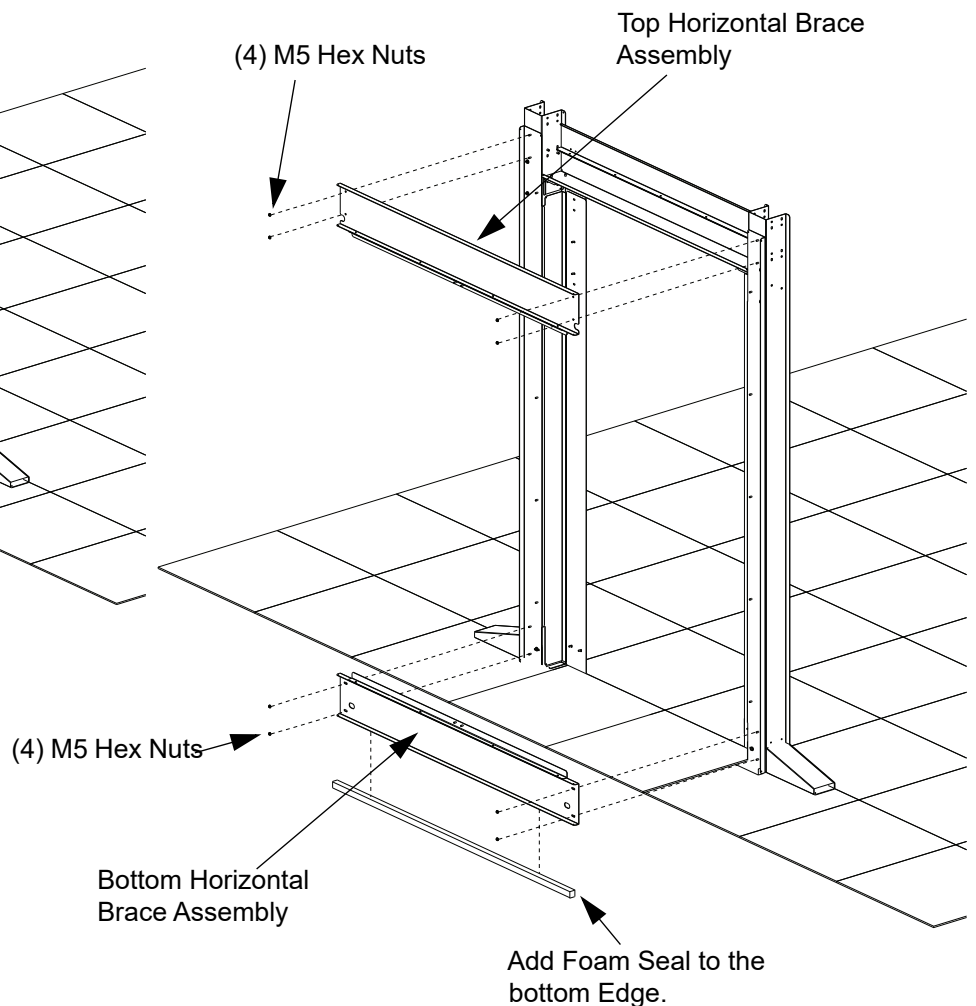
Installation of Vertical & Horizontal Braces

- Attach LH & RH Vertical Braces to Frame using (6) M6 Hex Nuts
- Attach Top & Bottom Horizontal Brace Assemblies using (4) M5 Hex Nuts (per Horizontal Brace)

Step 1



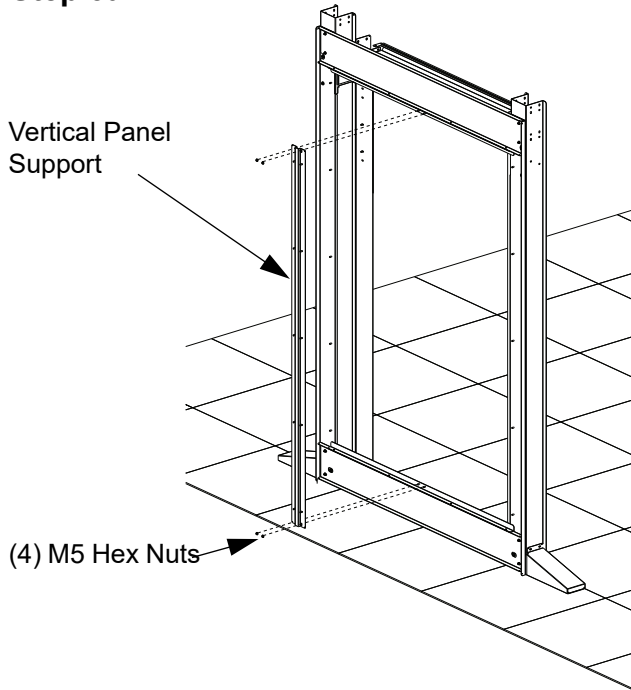
Step 2



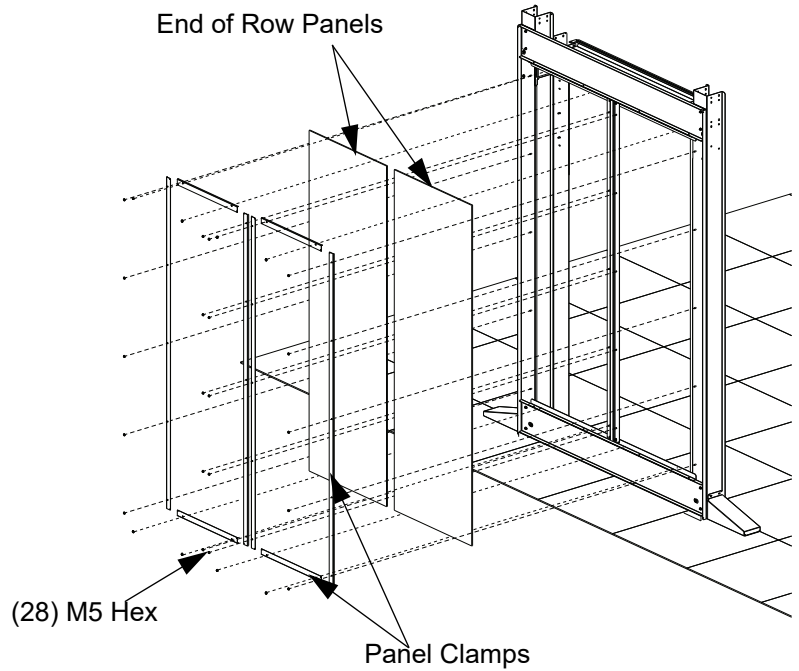
1200 Panel Installation (CUEOR12CP)**

- Install Vertical Panel Support using (4) M5 Hex Nuts
- Insert End of Row Panels. Secure with Panel Clamps and M5 Hex Nuts.

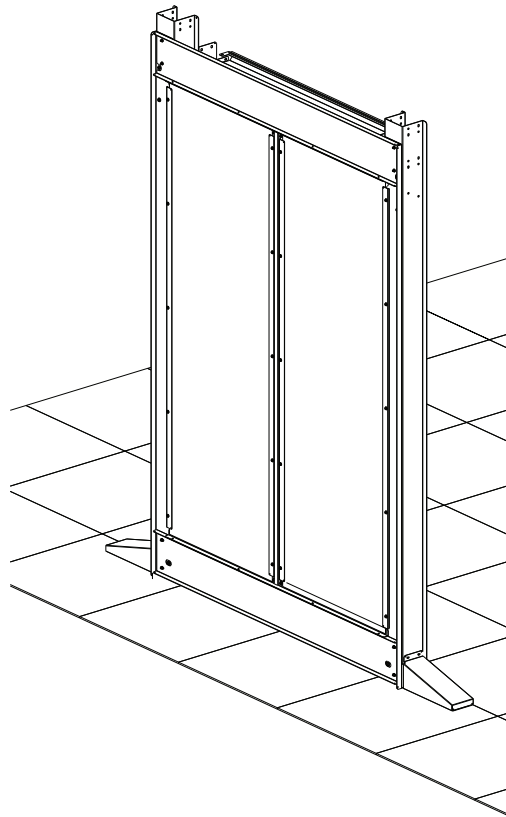
Step 3a



Step 4a



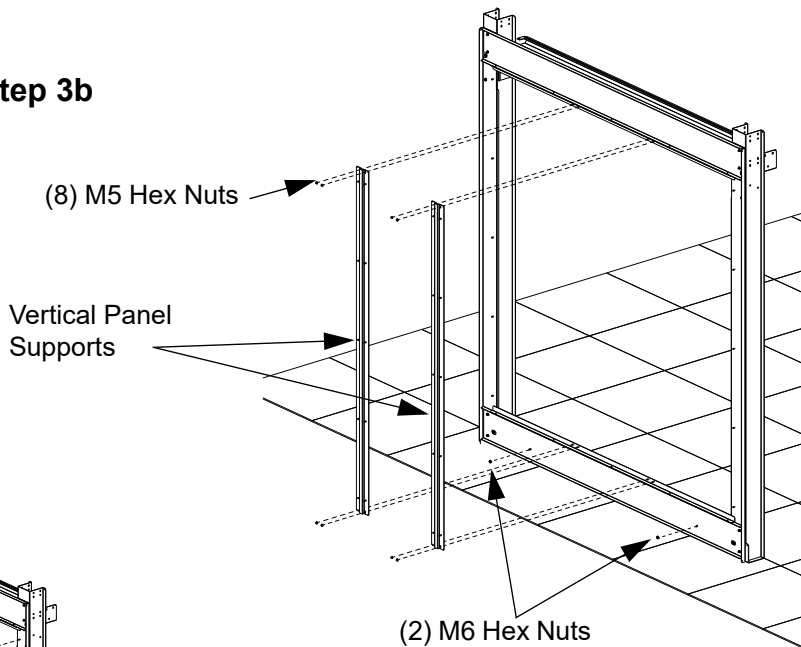
1200 Final Assembly



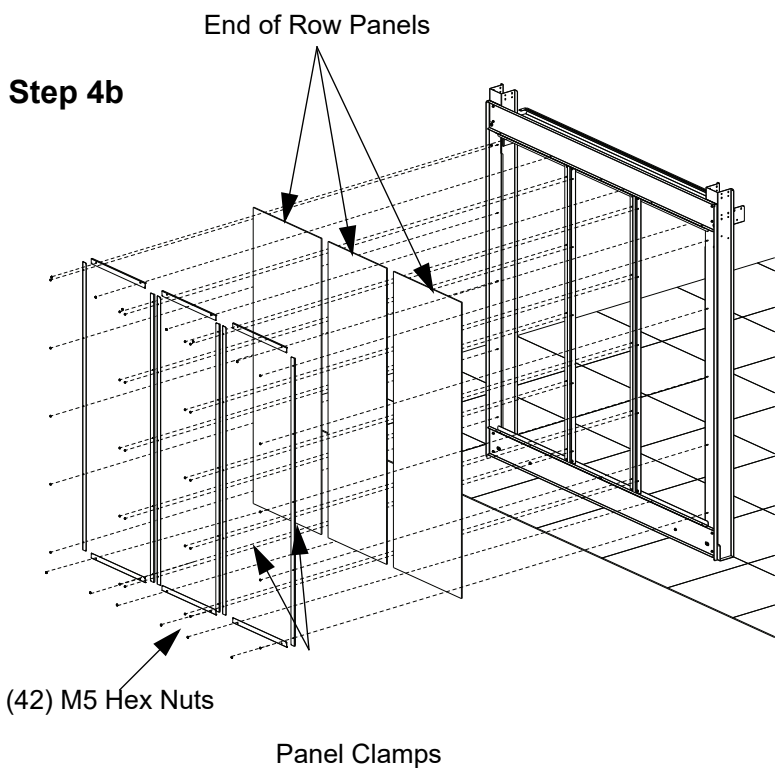
1800 Panel Installation (CUEOR18CP)**

-Insert End of Row Panels (wider panels on the outside) Secure with (6) Vertical Panel Clamps, (6) Horizontal Panel Clamps and (5) M6 Hex Nuts (per Vertical Panel Clamp) and (2) M6 Hex Nuts (per Horizontal Panel Clamp).

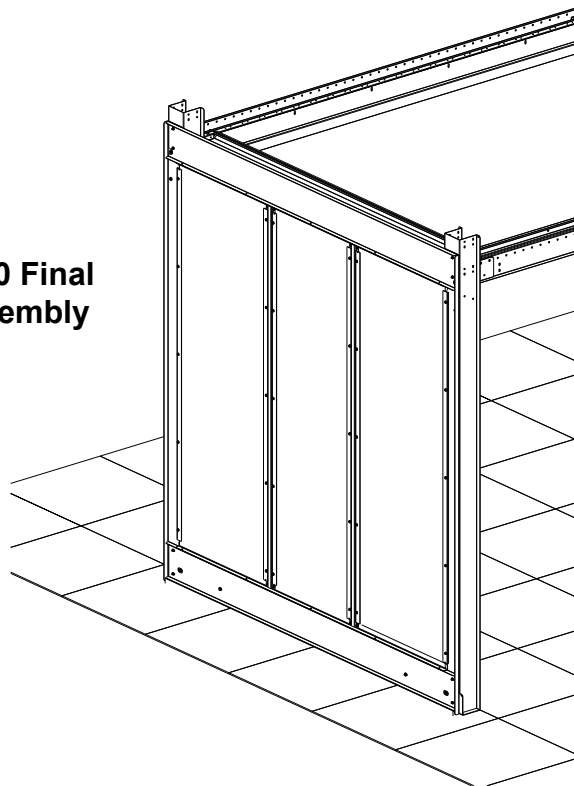
Step 3b



Step 4b



1800 Final Assembly



For Instructions in Local Languages
and Technical Support:

www.panduit.com/resources/install_maintain.asp



www.panduit.com

E-mail:
techsupport@panduit.com

Phone:
866-405-6654