



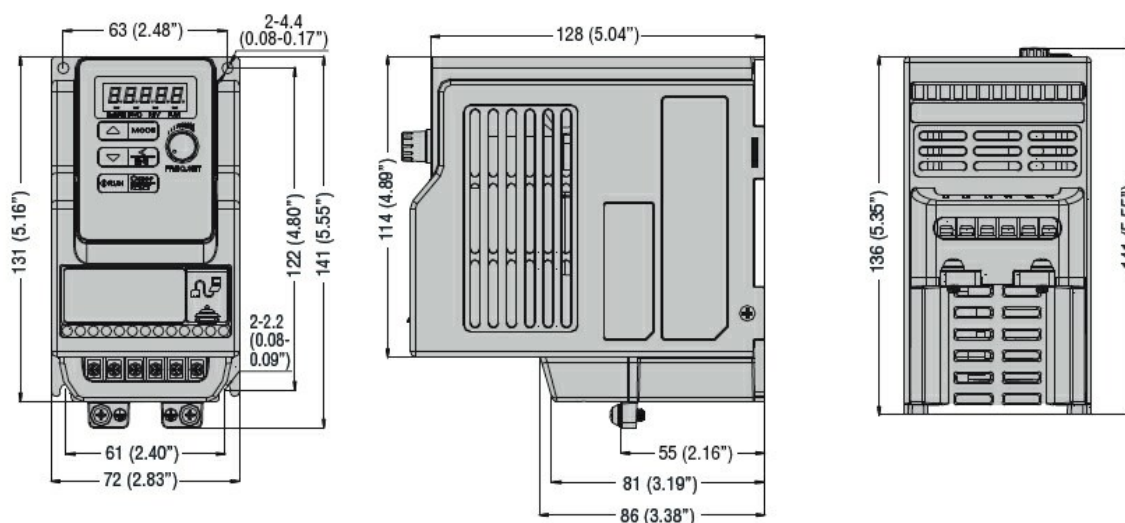
Product designation	Variable speed drives	
Product type designation	VT107A240	
General characteristics		
Rated power supply voltage	200...240VAC 50/60Hz	
Rated output voltage	VAC	Three-phase 0...240VAC 0- 599Hz
Rated output current	A	4.3
Rated output power	kW	0.75
Rated output power	HP	1
EMC filter	Built-in EMC suppressor cat. C2	
Communication port	RS485, Modbus- RTU and BACnet	
Technical features		
Input type	Single-phase	
Rated mains voltage	VAC	200...240
Operating mains voltage range	VAC	170...264
Rated mains frequency	Hz	50/60
Rated mains current without mains choke	11	
Output type	Three-phase	
Output voltage range	VAC	0...240
Output frequency range	Hz	0...599
Current overload	%/s	150% for 60s
Apparent output power	1.65	
Brake chopper	No	
Cooling System	Natural	
Switching frequency	1...16kHz	
Functions		
Motor control modes	V/f linear, V/f quadratic, V/f multi-point , sensorless vector control	

Speed reference signals	Frontal potentiometer External potentiometer 1...10kΩ Voltage signals: 0...10VDC Current signals: 0/4...20mA Buttons on front keyboard Door-mount keyboard 7 preset speeds via digital inputs RS485 port
3-wire control	Yes
S-shape curves	Yes
Slip compensation	Yes
Flying restart	No
Access to DC bus	No
DC braking	Yes
DC injection at start	Yes
PID control	Yes
Sequencer (programmable frequency/time cycles)	Yes
Preset speeds	Yes
Motorpotentiometer	Yes
Different parameter configuration sets	Main/alternative run command select Main/alternative frequency command select
Parameters changeover function	No
Favorite parameters menu	No
Autotuning	Yes
Safe torque Off (STO) safety function	No
PTC probe input	Yes
Protections	Motor overload Drive overload Overvoltage Undervoltage Phase loss Overtemperature Overspeed
Special funct.	Multi-pump PID for the control of up to 4 VT1... drives in master-slave configuration
Input and Output	
Number of digital input	Nr. 5
Digital input type	PNP logic
Number of digital output	Nr. 1
Digital output arrangement	1 relay output with NO contact

Output contacts ratings		1A 250VAC, 1A 30VDC
Number of analog input	Nr.	2
Analog input type		1 voltage analog input 0...10VDC 1 current analog input 0/4...20mA
Number of analog output	Nr.	1
Analog output type		0...10VDC
Ambient conditions		
Temperature		
Operating temperature		
	min	°C -10
	max	°C +50
	Current derating	
	from 40 to 50°C with derating of the output current of 6%/°C	
Storage temperature		
	min	°C -20
	max	°C +60
Relative humidity	%	<95
Max altitude	m	3000m (over 1000m derate the rated current by 2%/100m)
Maximum Pollution degree		2

Housing		
Installation position		Vertical
IP degree of protection		IP20
Dimensions (W x H x D)	mm	72 x 141 x 141
Weight	Kg	1

Dimensions



Certifications and compliance

Compliance	CSA 22.2 No. 274
	EN 61800-5-1
	UL508C

Certificates

VARIABLE SPEED DRIVE, VT1 TYPE, SINGLE-PHASE, SUPPLY 200...240VAC (50/60HZ).
BUILT-IN RS485 COMMUNICATION PORT. BUILT-IN EMC SUPPRESSOR, CAT. C2, 0.75KW

cULus

EAC

RCM

ETIM classification

ETIM 8.0

EC001857 -
Frequency
converter =< 1 kV