

Part number

# CHIW 24



Bulkhead mounting housing, W-TYPE series, with 2 levers, size "104.27"

## Product description

|                     |                           |
|---------------------|---------------------------|
| <b>Product type</b> | Bulkhead mounting housing |
| <b>Series</b>       | W-TYPE                    |
| <b>Closing type</b> | With 2 levers             |
| <b>Size</b>         | Size 104.27               |
| <b>Cable entry</b>  | Without cable entry       |

## Technical data

|                                |                    |
|--------------------------------|--------------------|
| <b>IP degree of protection</b> | IP65 / IP66 / IP69 |
|--------------------------------|--------------------|

## Further technical details

|   |                |
|---|----------------|
| <b>Weight</b>                                 | 196,00 g       |
| <b>Operating temperature range (min, max)</b> | -40°C...+125°C |

## Material properties

|                              |  |
|------------------------------|--|
| <b>Other materials</b>       | Lever: Stainless steel, polyamide (PA) |
| <b>Colour</b>                | RAL 9005 black                         |
| <b>RoHS conformity</b>       | Compliant                              |
| <b>China RoHS - EFUP</b>     | E                                      |
| <b>REACH SVHC substances</b> | No                                     |

## Approvals / Standards

|                       |         |
|-----------------------|---------|
| <b>Certifications</b> | DNV, BV |
| <b>UL</b>             | ECBT2   |
| <b>cUL</b>            | ECBT8   |

## General ordering information

|                   |               |
|-------------------|---------------|
| <b>EAN13 code</b> | 8015747019460 |
| <b>eCl@ss 8.1</b> | 27440202      |
| <b>ETIM 7.0</b>   | EC000437      |

## Packaging Information

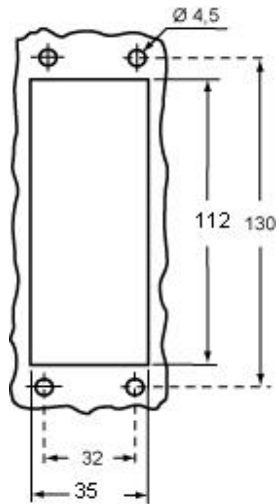
|                                  |                       |
|----------------------------------|-----------------------|
| <b>Packaging length</b>          | 400,00 mm             |
| <b>Packaging height</b>          | 230,00 mm             |
| <b>Packaging width</b>           | 380,00 mm             |
| <b>Packaging volume</b>          | 34,96 dm <sup>3</sup> |
| <b>Packaging description</b>     | Carton box            |
| <b>Packaging quantity</b>        | 40 Pcs                |
| <b>Packaging EAN code</b>        | 8015747292818         |
| <b>Sub-packaging description</b> | Plastic packaging     |
| <b>Sub-packaging quantity</b>    | 5 Pcs                 |
| <b>Sub-packaging EAN barcode</b> | 8015747166638         |

Part number

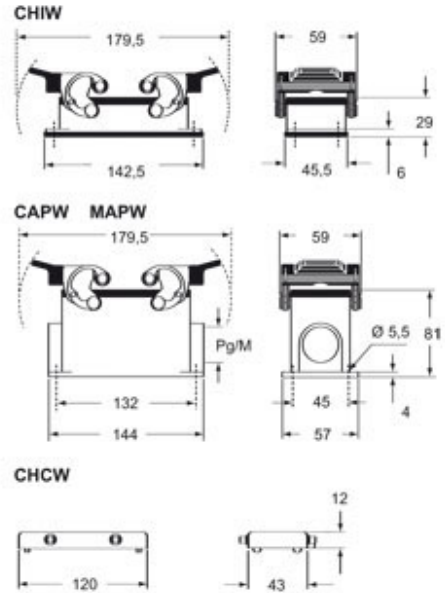
# CHIW 24



## Catalogue drawings



## Catalogue drawings



## Notes

Dimensions shown in mm are not binding and may be changed without notice.