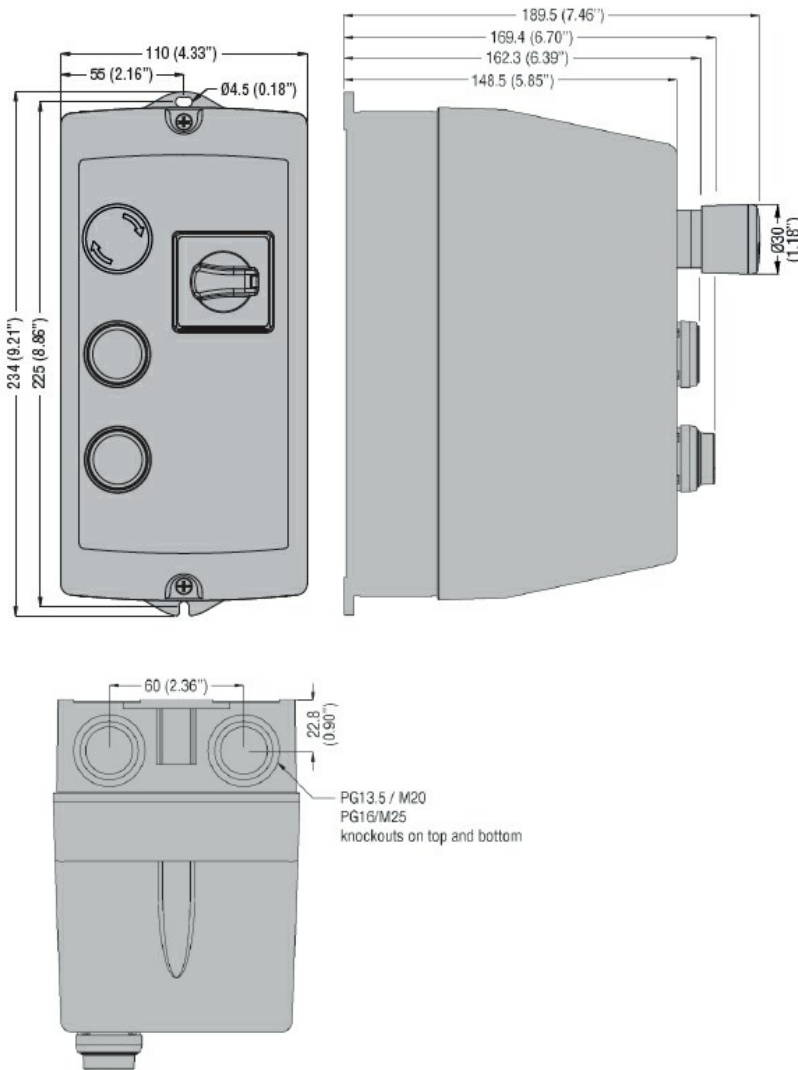




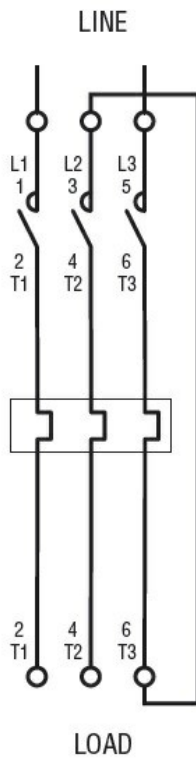
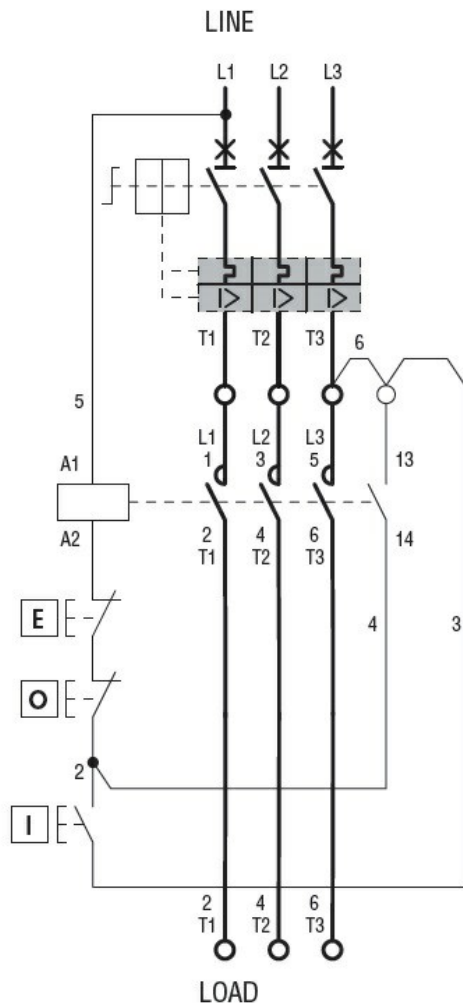
Product designation				Direct-on-line starter
Product type designation				M2P00911
<b>Electrical features</b>				
Relay adj range			A	6.3-10
IEC technical characteristics ( $\leq 440V$ )				
	le	A	10	
	kW	kW	3...5	
<b>Mechanical features</b>				
Weight			g	1515
<b>Ambient conditions</b>				
Operating temperature				
	min	°C	-25	
	max	°C	+60	
Storage temperature				
	min	°C	-40	
	max	°C	+70	
<b>Resistance &amp; Protection</b>				
Frontal IP degree				IP65
<b>Dimensions</b>				



Wiring diagrams

Incorporated button control  
and rotary actuator for 3-phase motors

Power  
connection for 1-phase  
motors



I = Start; O = Stop; E = Emergency Stop

**Certifications and compliance**

Compliance

IEC/EN 60947-1  
IEC/EN 60947-4-1

Certificates

EAC

**ETIM classification**

ETIM 8.0

EC001037 -  
Motor  
starter/Motor  
starter  
combination