

Part number

# CRQ 21



Semi-cable gland, Pg21, for diameter 14-18 mm, for CQ 08 V and VG enclosures

#### Product description

<b>Product type</b>	Semi-cable gland
<b>Cable entry</b>	Pg21
<b>Specification</b>	For diameter 14-18 mm For CQ 08 V and VG enclosures

#### Further technical details

<b>Weight</b>	7,00 g
<b>Operating temperature range (min, max)</b>	-40°C ... +125°C

#### Material properties

<b>Main material</b>	Polyamide (PA)
<b>Other materials</b>	Gasket: NBR
<b>Colour</b>	RAL 9005 black

#### General ordering information

<b>EAN13 code</b>	8015747163828
-------------------	---------------

#### Packaging Information

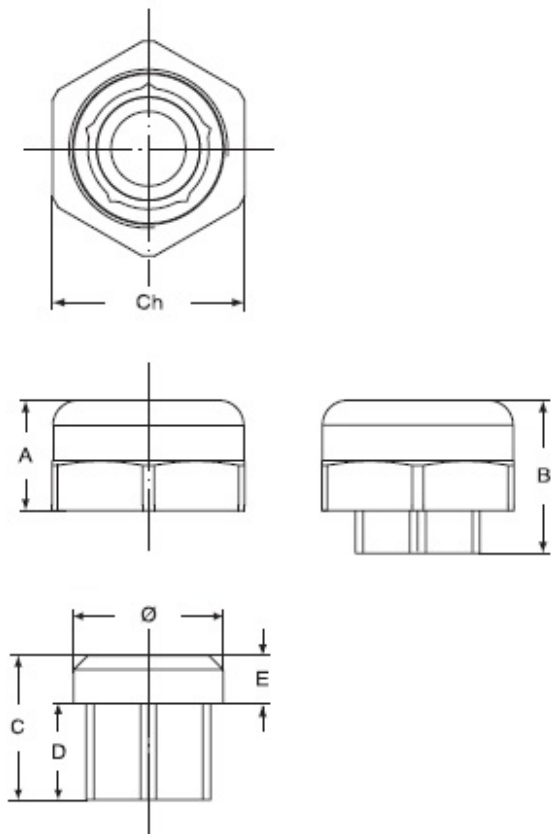
<b>Packaging length</b>	225,00 mm
<b>Packaging height</b>	130,00 mm
<b>Packaging width</b>	150,00 mm
<b>Packaging weight</b>	0,72 kg
<b>Packaging volume</b>	4,39 dm <sup>3</sup>
<b>Packaging description</b>	Carton box
<b>Packaging quantity</b>	50 Pcs
<b>Packaging EAN code</b>	8015747184823
<b>Sub-packaging weight</b>	0,07 kg
<b>Sub-packaging description</b>	Plastic bag
<b>Sub-packaging quantity</b>	5 Pcs
<b>Sub-packaging EAN barcode</b>	8015747163835

Part number

# CRQ 21



## Catalogue drawings



part No.	A	B	C	D	E	Ø	Ch
CRQ 16	15,5	21,5	20,25	13,5	6,75	21	27
CRQ 21	18,2	27,5	25	15,5	9	26,5	33

## Notes

Dimensions shown in mm are not binding and may be changed without notice.