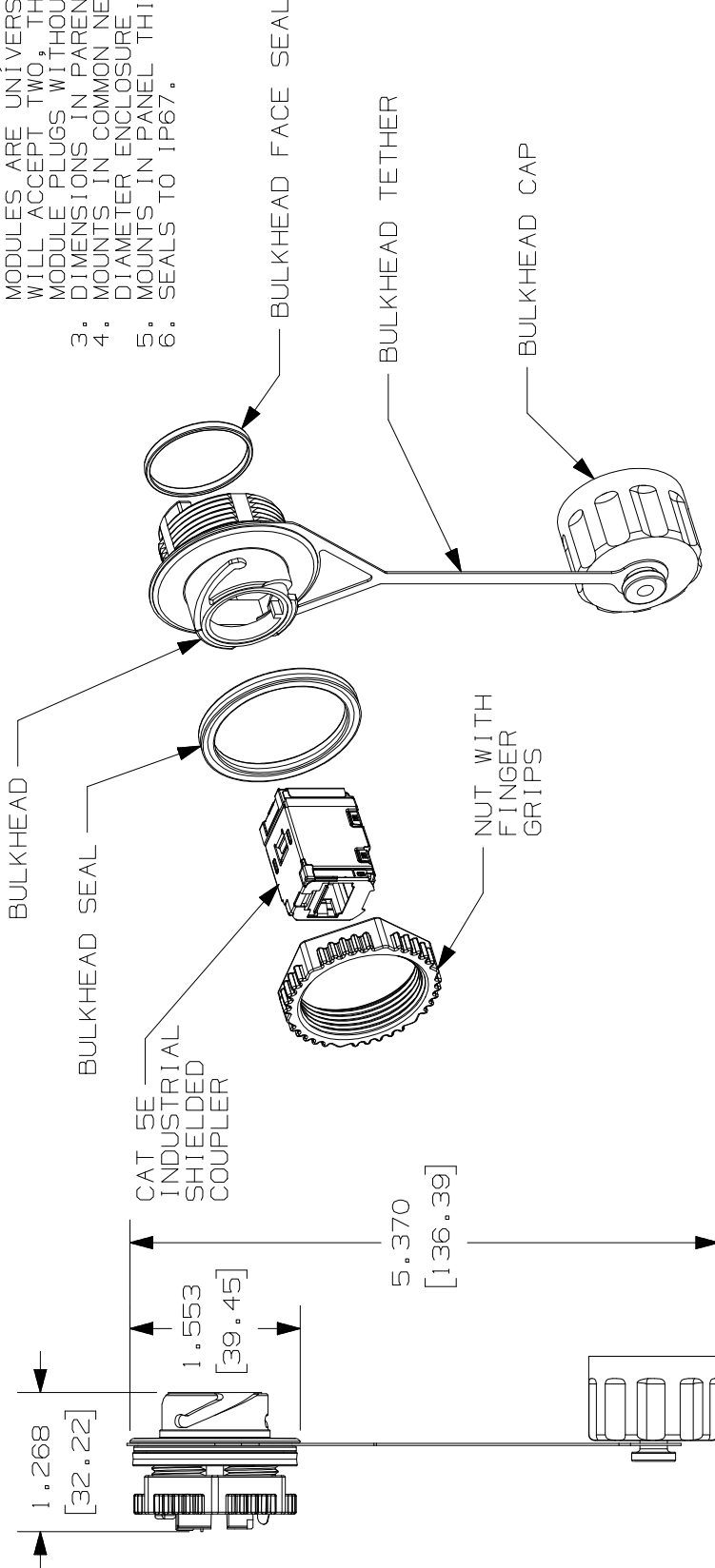


THIS COPY IS PROVIDED ON A RESTRICTED BASIS AND IS NOT TO BE USED IN ANY WAY DETRIMENTAL TO THE INTERESTS OF PANDUIT CORP.

NOTES:

1. SEE CURRENT CATALOG FOR ADDITIONAL P/N SUFFIXES TO INDICATE PACKAGE QUANTITY.
2. ALL 8 POSITION, 8 WIRE CONNECTOR MODULES ARE UNIVERSAL IN DESIGN. THEY WILL ACCEPT TWO, THREE, OR FOUR PAIR MODULE PLUGS WITHOUT DAMAGE.
3. DIMENSIONS IN PARENTHESES ARE METRIC.
4. MOUNTS IN COMMON NEMA 1-13/64" [30.5mm] DIAMETER ENCLOSURE OPENING.
5. MOUNTS IN PANEL THICKNESS OF .035"-.135" SEALS TO 1P67.



PART NUMBER

IAEBH5ES

TITLE

INDUSTRIAL CAT 5e SHIELDED COUPLER BULKHEAD ASSEMBLY

CUSTOMER DRAWING

ITEM REVISION NAME

00080FAC/00

DATASET FILE NAME

00080FAC-DC02/00A

UNLESS OTHERWISE SPECIFIED, DIMENSIONAL TOLERANCES ARE: IN (mm)

.X ± .1 [2.54] .XXX ± .005 [.127]
 .XX ± .01 [.25] ANGLES ± 5°



THIRD ANGLE PROJECTION

MATERIAL:



DRAWING NUMBER:

00080FAC-02

DRAWN BY	DATE	CHK	SCALE	SIZE
BJN	7-26-16	JAV	NONE	A

REV	DATE	BY	CHK	APR	DESCRIPTION	ECN
1	8-2-16	BJN	JAV	RDE	RELEASED TO PRODUCTION	00080FAC-02
R	8-1-16	BJN	JAV		DRAWING RELEASED	