



Product designation

Signal tower  
Ø70mm/2.75"  
8TL7GL - Light  
modules

Product type designation

**General characteristics**

|                          |           |           |
|--------------------------|-----------|-----------|
| Diameter                 | mm - inch | 70 / 2.75 |
| Supply voltage (AC)      | V         | 110...120 |
| Colour                   |           | White     |
| IEC degree of protection |           | IP65      |

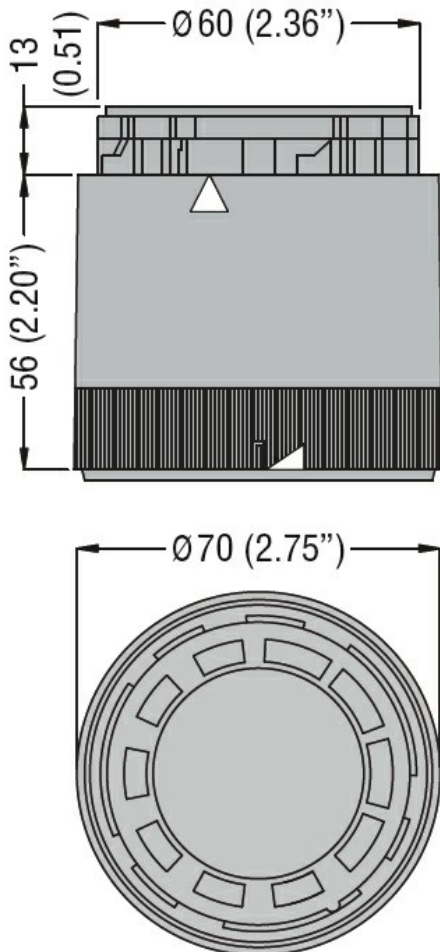
**Mechanical features**

|        |   |    |
|--------|---|----|
| Weight | g | 83 |
|--------|---|----|

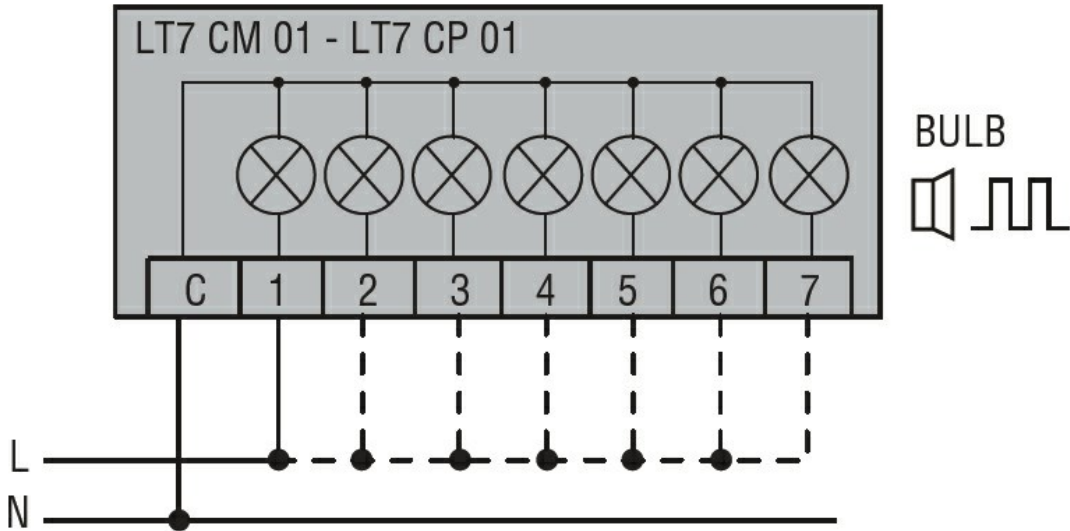
**Ambient conditions**

|             |                       |    |     |
|-------------|-----------------------|----|-----|
| Temperature | Operating temperature |    |     |
|             | min                   | °C | -20 |
|             | max                   | °C | +50 |

**Dimensions**



Wiring diagrams



Connect terminals C and 1 as indicated to power the first module. If other modules are fitted, the respective terminals must be connected accordingly.

Certifications and compliance

Compliance

CSA C22.2 n° 14

IEC/EN 60947-1

IEC/EN 60947-5-1

UL508

Certificates

cULus

EAC

ETIM classification

ETIM 8.0

EC000232 -  
 Optical module  
 for signal tower