

Part number

CHIS 16



Bulkhead mounting housing, EMC series, with 2 levers, size "77.27"

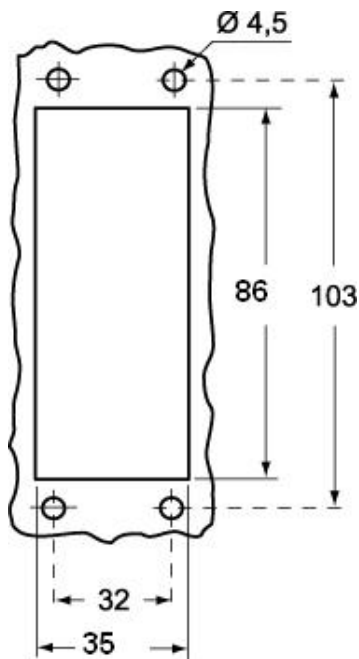
Product description		Material properties	
Product type	Bulkhead mounting housing	Other materials	Lever: Stainless steel, polyamide (PA) Gasket: Conductive elastomer
Series	EMC	RoHs conformity	Compliant
Closing type	With 2 levers	China RoHs - EFUP	E
Size	Size 77.27	REACH SVHC substances	No
Cable entry	Without cable entry		
Technical data		Approvals / Standards	
IP degree of protection	IP65 / IP66 / IP69	Certifications	DNV, BV
Further technical details		UL	ECBT2
Weight	172,00 g	cUL	ECBT8
Operating temperature range (min, max)	-40°C...+125°C	General ordering information	
		EAN13 code	8015747138185
		eCl@ss 8.1	27440202
		ETIM 7.0	EC000437
		Packaging Information	
		Packaging length	365,00 mm
		Packaging height	195,00 mm
		Packaging width	305,00 mm
		Packaging weight	7,45 kg
		Packaging volume	21,71 dm ³
		Packaging description	Carton box
		Packaging quantity	40 Pcs
		Packaging EAN code	8015747138529
		Sub-packaging weight	0,93 kg
		Sub-packaging description	Plastic packaging
		Sub-packaging quantity	5 Pcs
		Sub-packaging EAN barcode	8015747138536

Part number

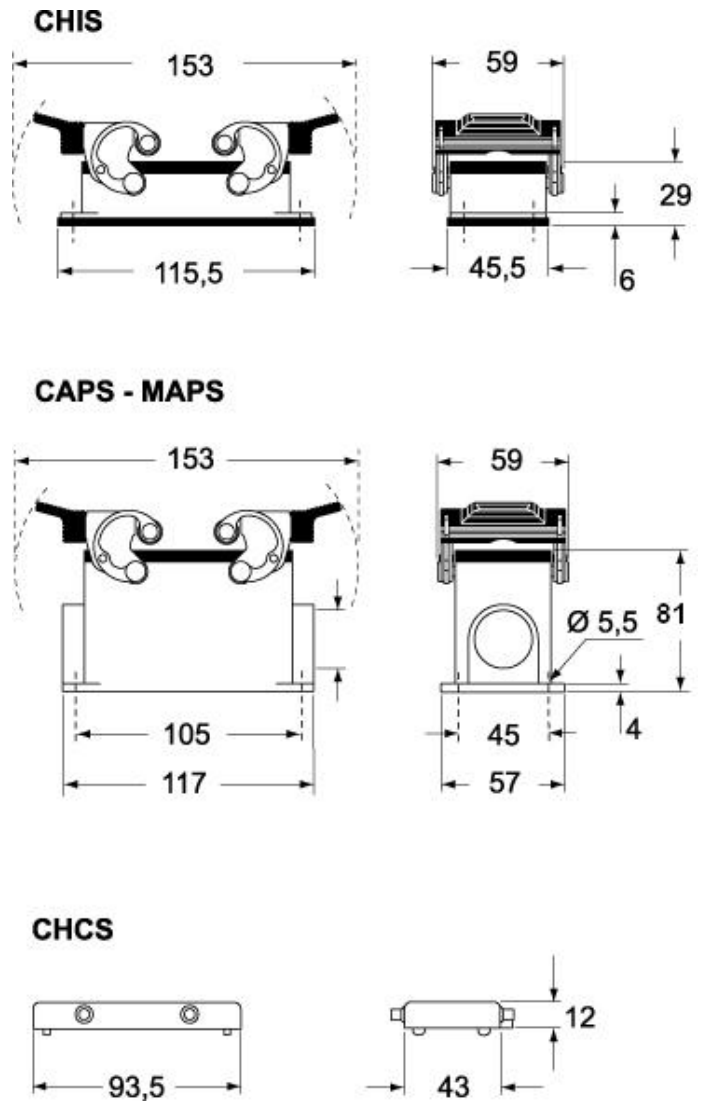
CHIS 16



Catalogue drawings



Catalogue drawings



Notes

Dimensions shown in mm are not binding and may be changed without notice.