



Fixing bases for
 light signal
 beacons
 Ø62mm/2.44"
 8LB6BP05

Product designation

Product type designation

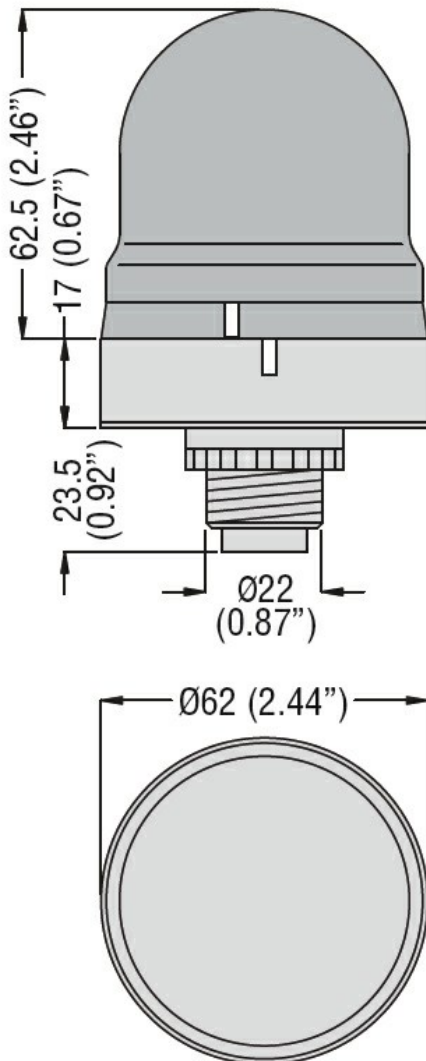
General characteristics

Diameter	mm - inch	62 / 2.44
Colour		Black
Material		Plastic

Mechanical features

Weight	g	40
--------	---	----

Dimensions



Certifications and compliance

Compliance

/

Certificates

/

ETIM classification

ETIM 8.0

EC001154 -
Stand for signal
tower without
tube