

Part number

MXA 01 025



Hood, MIXO ONE series, with 2 pegs, M25 side cable entry, 1 module, with PE connection terminal and contact

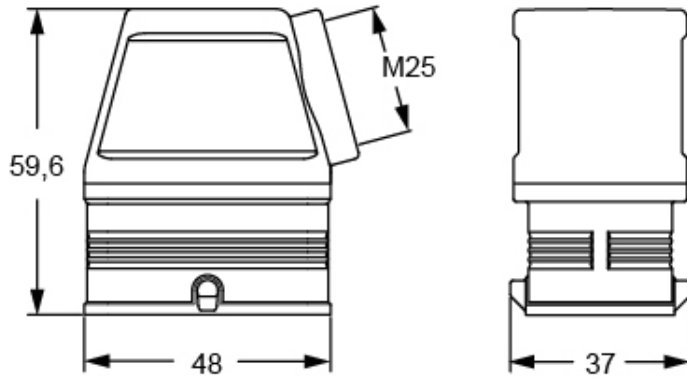
Product description		Material properties	
Product type	Hood	Main material	Aluminium die-cast
Series	MIXO ONE	Other materials	Lever: stainless steel Gasket: NBR
Closing type	With 2 pegs	RoHs conformity	Compliant
Size	1 module	China RoHs - EFUP	E
Cable entry	Side cable entry M25	REACH SVHC substances	No
Specification	With PE connection terminal and contact	Approvals / Standards	
Technical data		Certifications	DNV
IP degree of protection	IP65	UL	ECBT2
Further technical details		cUL	ECBT8
Mating cycles	≥ 500	General ordering information	
Weight	69,50 g	EAN13 code	8015747265737
Operating temperature range (min, max)	-40°C...+125°C	eCl@ss 8.1	27440202
Tightening torque for PE connection	1,2 Nm	ETIM 7.0	EC000437
		Packaging Information	
		Packaging length	180,00 mm
		Packaging height	120,00 mm
		Packaging width	155,00 mm
		Packaging weight	0,82 kg
		Packaging volume	3,35 dm ³
		Packaging description	Carton box
		Packaging quantity	10 Pcs
		Packaging EAN code	8015747270908
		Sub-packaging weight	0,08 kg
		Sub-packaging description	Carton box
		Sub-packaging quantity	1 Pcs
		Sub-packaging EAN barcode	8015747270915

Part number

MXA 01 025



Catalogue drawings



Notes

Dimensions shown in mm are not binding and may be changed without notice.