



Product designation	Miniature circuit breaker (MCB)
Product type designation	P1 MB
Number of poles	2P
Number of DIN modules	2
Compliance	IEC / UL489

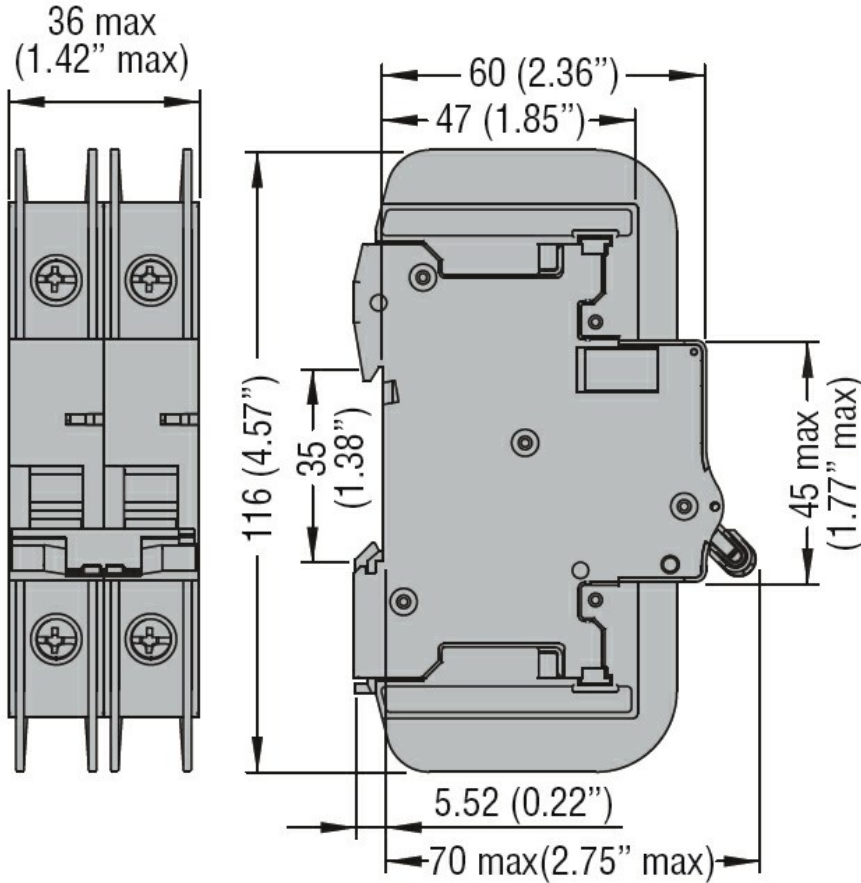
Electrical features			
Rated insulation voltage U_i IEC/EN	V		440
Rated impulse withstand voltage U_{imp}	kV		4
Rated operational voltage AC (IEC)	VAC		230/400
Rated operational voltage AC (UL)	V		240
Rated operational voltage DC	VDC		125
Rated frequency	Hz		50/60
Rated current (I_n)	A		50
Tripping curve			C
Short circuit rating (IEC)	kA		10
Short circuit rating (UL)	kA		10
Electrical life	cycles		10000
Power dissipation per pole max	W		3.5

Ambient conditions			
Operating temperature	min	°C	-40
	max	°C	+70
Storage temperature	min	°C	-40
	max	°C	+80
Max altitude		m	2000

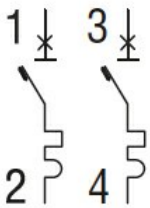
Mechanical features					
Operating position		normal	Vertical plan		
	Fixing		35mm DIN rail		
Tightening torque for terminals	min	Nm	1.8		
	max	Nm	2		
	min	lbin	16		
	max	lbin	17.7		
Terminals tool			Pz 2		
Conductor section	IEC	min	mm ²	1	
		max	mm ²	35	
	AWG/Kcmil	min		14	
		max		6	
		Mechanical life		cycles	20000

Weight	g	255
Frontal IP degree		IP20
Pollution degree		2

Dimensions



Wiring diagrams



Certifications and compliance

Compliance	IEC/EN 60947-2
	UL489
Certifications	cULus
	EAC

ETIM classification

ETIM 8.0	EC000042 - Miniature circuit breaker (MCB)
----------	--