



One pedal, with safety lever - with cover  
KR210

Product designation

Product type designation

**General characteristics**

Material

Housing

Aluminium-zinc alloy

**Contact characteristics**

Type of contact

2NO+2NC Snap action

Thermal current I<sub>th</sub>

A 10

IEC/EN 60947-5-1 designation

A300 Q300

Rated insulation voltage U<sub>i</sub>

V 440

Rated impulse withstand voltage U<sub>imp</sub>

kV 4

Short-circuit protection with fuse

Class/A 10 gG fuse

IEC Conventional free air thermal current I<sub>th</sub>

A 10

Resistance per pole (average value)

mΩ <10

**Mechanical features**

Tightening torque (Max)

Contact terminals

Nm 1  
lbin 0.74lbf

Cable connection

Self-releasing screw terminal

Cable entry

1 x M20

**Operations**

Mechanical life

cycles >10000000

**Ambient conditions**

Temperature

Operating temperature

min °C -25  
max °C +70

Storage temperature

min °C -40  
max °C +70

**Resistance & Protection**

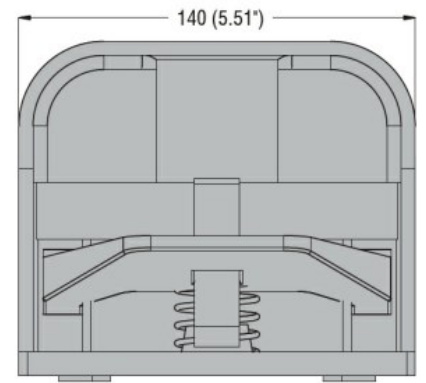
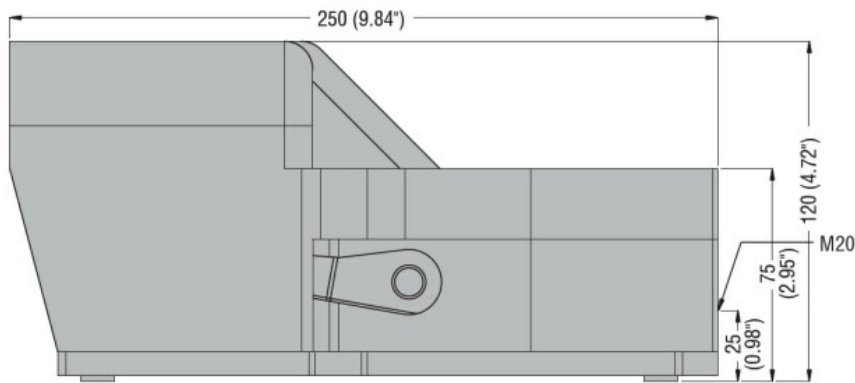
IP degree

Terminals IP20  
Body housing IP54

Pollution degree

3

**Dimensions**



**Certifications and compliance**

Compliance

EN 60447.

IEC/EN 60204-1

IEC/EN 60947-1

IEC/EN 60947-5-1

Certificates

EAC

**ETIM classification**

ETIM 8.0

EC001258 - Foot switch