

NOTES:

RATED VOLTAGE: MAX. 63V AC/DC

RATED CURRENT: MAX. 16A at 40°C (derating has to be considered)

IP RATING: IP67 (mated and locked condition)

TEMPERATURE RANGE: -25°C TO +85°C

CABLE PRINTING (sequence as shown below):

- MOLEX engineering no. (see page 2)
- MOLEX material no. (see page 2)
- MOLEX MAX. 63V AC/DC MAX. 16 A USL
- MOLEX AND DATE OF MANUFACTURING (YY=YEAR; WW=WEEK): MXYWW
- Not for current interrupting
- PROFINET 24V Power 4x2,5 + FE

PART ACCORDING PRODUCT SPEC: 1205010169

PACKAGING ACCORDING PACKAGING SPEC: 1201202000

TABLE 1

POS	DESCRIPTION	MATERIAL	FINISH
1	NUT M12 FE	BRASS	Ni
2	NUT M12 MA	BRASS	Ni
3	CONTACT 15 MA	BRASS	Au
4	CONTACT 15 FE	BRASS	Au
5	INSERT FEMALE	PA	GREY
6	INSERT MALE	PA	GREY
7	OVERMOLD	TPE	BLACK
8	CABLE 5x2.5 D11.3 WSOR	PUR	GREY
9	GASKET OR 8.2X1.25	FKM	BLACK
OPTIONAL 10	ID CARRIER	-	-

<p>FUNCTIONAL SYMBOLS</p> <p>THIS DRAWING CONTAINS INFORMATION THAT IS PROPRIETARY TO MOLEX ELECTRONIC TECHNOLOGIES, LLC AND SHOULD NOT BE USED WITHOUT WRITTEN PERMISSION</p> <p>CURRENT REV DESC: NEW P/N'S ADDED</p>	<p>SCALE</p> <p>2:1</p> <p>GENERAL TOLERANCES (UNLESS SPECIFIED)</p> <p>ANGULAR TOL ± 1.0°</p> <p>4 PLACES ±</p> <p>3 PLACES ±</p> <p>2 PLACES ± 0.05</p> <p>1 PLACE ± 0.3</p> <p>0 PLACES ± 0.5</p> <p>DRAFT WHERE APPLICABLE MUST REMAIN WITHIN DIMENSIONS</p>	<p>EC NO: 776660</p> <p>DRWN: RSCHIEBER 2024/02/08</p> <p>CHK'D: RSILLER 2024/02/09</p> <p>APPR: RSILLER 2024/02/09</p> <p>INITIAL REVISION:</p> <p>DRWN: FDAFERNER 2020/01/30</p> <p>APPR: RSILLER 2021/03/15</p> <p>THIRD ANGLE PROJECTION</p> <p>DRAWING SERIES MATERIAL NUMBER CUSTOMER</p> <p>A3-SIZE 120501 SEE TABLE 2 GENERAL MARKET</p>	<p style="text-align: center; font-size: 24pt; font-weight: bold;">molex</p> <p style="text-align: center;">CSE M12 5P LC FE STR MA STR WSOR GY XM</p> <p style="text-align: center;">PRODUCT CUSTOMER DRAWING</p> <p>DOCUMENT NUMBER DOC TYPE DOC PART REVISION</p> <p style="text-align: center; font-size: 18pt; font-weight: bold;">1205010100</p> <p style="text-align: center;">PSD 000 A3</p> <p>SHEET NUMBER</p> <p style="text-align: center;">1 OF 2</p>
---	---	--	--

ENGINEERING NO - NUMERICAL CODE (Available parts see PART LIST table. Other parts available upon request).

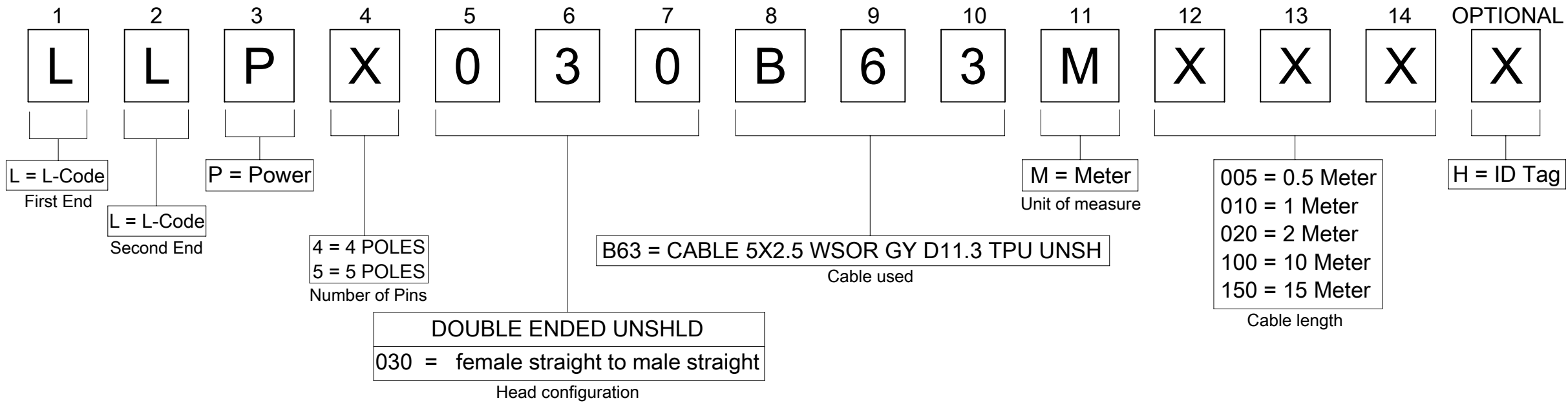


TABLE 2

NOMINAL SECTION 2,5mm ²			
MATERIAL NO.	ENGINEERING NO.	L [mm]	TOLERANCE [mm]
1205010283	LLP5030B63M003	300	+40
1205010100	LLP5030B63M005	500	+40
1205010286	LLP5030B63M070	700	+40
1205010101	LLP5030B63M010	1000	+40
1205010102	LLP5030B63M020	2000	+60
1205010103	LLP5030B63M030	3000	+60
1205010284	LLP5030B63M040	4000	+60
1205010104	LLP5030B63M050	5000	+60
1205010285	LLP5030B63M060	6000	+80
1205010286	LLP5030B63M070	7000	+80
1205010287	LLP5030B63M080	8000	+80
1205010105	LLP5030B63M100	10000	+80
1205010288	LLP5030B63M120	12000	+140
1205010289	LLP5030B63M140	14000	+140
1205010106	LLP5030B63M150	15000	+140
1205010290	LLP5030B63M180	18000	+160
1205010107	LLP5030B63M200	20000	+160
1205010291	LLP5030B63M230	23000	+160
1205010292	LLP5030B63M270	27000	+160
1205010293	LLP5030B63M300	30000	+160
1205010294	LLP5030B63M340	34000	+350
1205010295	LLP5030B63M380	38000	+380
1205010296	LLP5030B63M420	42000	+420
1205010297	LLP5030B63M460	46000	+460
1205010298	LLP5030B63M500	50000	+500
1205010299	LLP5030B63M540	54000	+540
1205010300	LLP5030B63M570	57000	+570
1205010301	LLP5030B63M610	61000	+610

NOMINAL SECTION 2,5mm ²					
MATERIAL NO.	ENGINEERING NO.	L [mm]	TOLERANCE [mm]	QYT.	ID CARRIER
1205010169	LLP5030B63M005H	500	+40	2	
1205010170	LLP5030B63M010H	1000	+40	2	
1205010164	LLP5030B63M020H	2000	+60	2	
1205010165	LLP5030B63M030H	3000	+60	2	
1205010036	LLP5030B63M050H	5000	+60	2	
1205010037	LLP5030B63M100H	10000	+80	2	
1205010035	LLP5030B63M150H	15000	+140	2	
1205010039	LLP5030B63M200H	20000	+160	2	
1205010040	LLP5030B63M250H	25000	+160	2	
1205010038	LLP5030B63M300H	30000	+160	2	
1205010166	LLP5030B63M350H	35000	+350	2	
1205010167	LLP5030B63M400H	40000	+400	2	
1205010168	LLP5030B63M450H	45000	+450	2	

FUNCTIONAL SYMBOLS FA = 0 FB = 0 FC = 0	THIS DRAWING CONTAINS INFORMATION THAT IS PROPRIETARY TO MOLEX ELECTRONIC TECHNOLOGIES, LLC AND SHOULD NOT BE USED WITHOUT WRITTEN PERMISSION	CURRENT REV DESC: NEW P/N'S ADDED		molex				
	DIMENSION UNITS: mm	SCALE: 1:1	CSE M12 5P LC FE STR MA STR WSOR GY XM					
	DIVISIONAL SYMBOLS	GENERAL TOLERANCES (UNLESS SPECIFIED) ANGULAR TOL ± 1.0° 4 PLACES ± 3 PLACES ± 2 PLACES ± 0.05 1 PLACE ± 0.3 0 PLACES ± 0.5	EC NO: 776660 DRWN: RSCHIEBER CHK'D: RSILLER APPR: RSILLER	2024/02/08 2024/02/09 2024/02/09	PRODUCT CUSTOMER DRAWING			
DRAFT WHERE APPLICABLE MUST REMAIN WITHIN DIMENSIONS		THIRD ANGLE PROJECTION	DRAWING: A3-SIZE	SERIES: 120501	DOCUMENT NUMBER: 1205010100	DOC TYPE: PSD	DOC PART: 000	REVISION: A3