

Part number

# CZAV 25 L216



Hood, IL-BRID series, with 2 pegs, Pg16 x 2 double top cable entry, size "66.16", high construction

Product description		Material properties	
<b>Product type</b>	Hood	<b>Other materials</b>	Gasket: NBR
<b>Series</b>	IL-BRID	<b>Colour</b>	RAL 7040 grey
<b>Closing type</b>	With 2 pegs		Compliant with exemption 6(c): copper alloy containing up to 4% lead by weight
<b>Size</b>	Size 66.16	<b>RoHs conformity</b>	
<b>Cable entry</b>	Double top cable entry with adapter Pg16 x 2	<b>China RoHs - EFUP</b>	50
<b>Specification</b>	High construction	<b>REACH SVHC substances</b>	Yes Lead
Technical data		<b>SCIP number</b>	15deaf78-e939-4401-a0b0-e2228ca32a03
<b>IP degree of protection</b>	IP66 / IP67 / IP69	Approvals / Standards	
Further technical details		<b>UL</b>	ECBT2
<b>Weight</b>	176,00 g	<b>cUL</b>	ECBT8
<b>Operating temperature range (min, max)</b>	-40°C...+125°C	General ordering information	
		<b>EAN13 code</b>	8015747043632
		Packaging Information	
		<b>Packaging length</b>	225,00 mm
		<b>Packaging height</b>	130,00 mm
		<b>Packaging width</b>	150,00 mm
		<b>Packaging weight</b>	1,93 kg
		<b>Packaging volume</b>	4,39 dm <sup>3</sup>
		<b>Packaging description</b>	Carton box
		<b>Packaging quantity</b>	10 Pcs
		<b>Packaging EAN code</b>	8015747228572
		<b>Sub-packaging weight</b>	0,97 kg
		<b>Sub-packaging description</b>	Plastic packaging
		<b>Sub-packaging quantity</b>	5 Pcs
		<b>Sub-packaging EAN barcode</b>	8015747228589

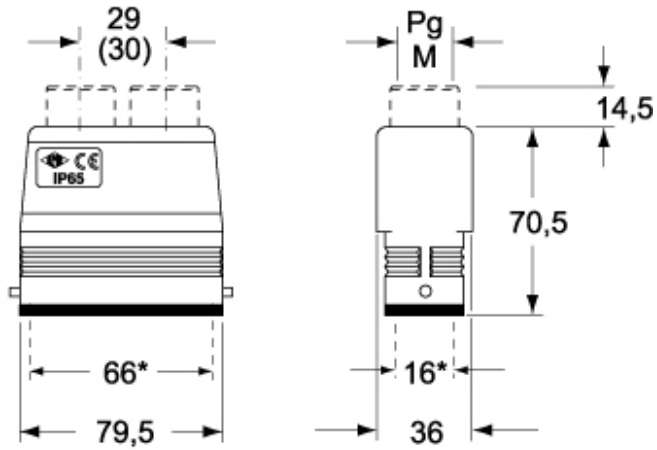
Part number

# CZAV 25 L216

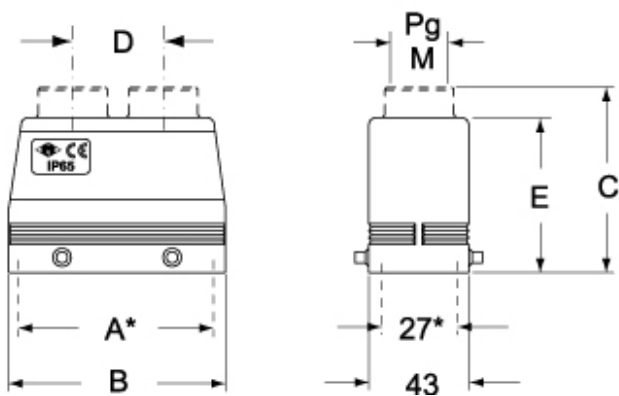


Catalogue drawings

**CZAV L2 - (MZAV L2) - [MZFV L2]**



**CAV - MAV - MFV**



## Notes

Dimensions shown in mm are not binding and may be changed without notice.