

NOTES, UNLESS OTHERWISE SPECIFIED:

The CT-810 Hand Operated Mechanical Crimping Tools are designed to crimp:
 - Panduit Copper compression connectors to copper code wire
 - No separate dies required
 - Connector sizes #8 through 1/0 AWG

Go to www.panduit.com for additional information.

The CT-810 Tool includes:

QTY	ITEM DESCRIPTION
1	CT-810 MANUAL CRIMPING TOOL
1	CARDBOARD SHIPPING BOX
1	USER INSTRUCTION MANUAL

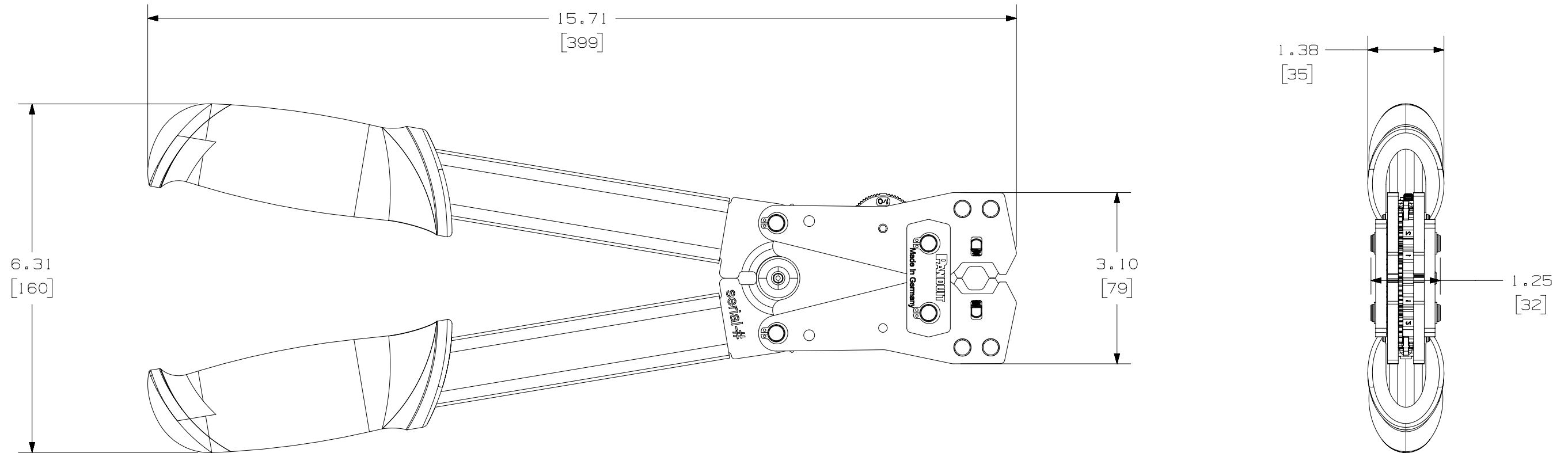
Technical information

WEIGHT	2.8 LBS [1.25 kg]
LENGTH	15.71" [399 mm]
WIDTH	6.31" [160 mm]
HEIGHT	1.38" [35 mm]

Copy of the operator manual can be found at www.panduit.com

Dimensions in [brackets] are in metric. All dimensions are for reference only.

A Tool is RoHS compliant per European Directive 2002/95/EC on the Restriction of Hazardous Substances (RoHS)



REV	DATE	BY	CHK	APR	DESCRIPTION	ECN
01	3/1/21	RUM0	BJP	ALP	A ADDED RoHS NOTE	098562
00	4/29/20	RUM0	ACC	RGB	INITIAL RELEASE	077203

TITLE		CT-810 MANUAL CRIMPING TOOL	
ITEM REVISION NAME		CUSTOMER DRAWING	
DATASET FILE NAME		00626NAA_01	
UNLESS OTHERWISE SPECIFIED, DIMENSIONAL TOLERANCES ARE: IN [mm]			
.x ± .1 [2.54] .xxx ± .005 [.127] .xx ± .01 [.25] ANGLES ± 5 °			
DRAWN BY		DATE	
RUM0		4/29/20	
CHK		SCALE	
ACC		RGB	
DRAWING NUMBER:		SHT 1 OF 1	
00626NAA_DC		B	