



# FIBERRUNNER 2X2 Routing System With **QUIKLOCK COUPLER**

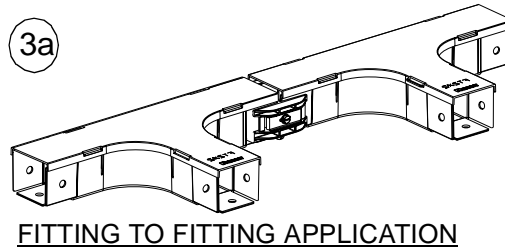
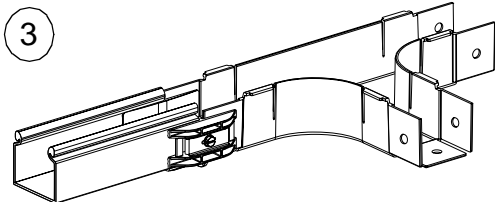
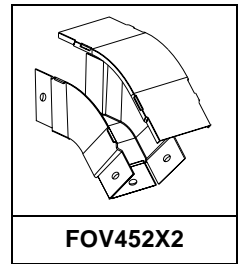
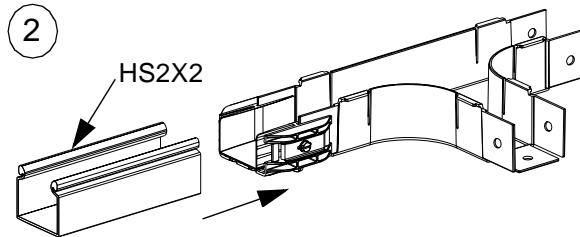
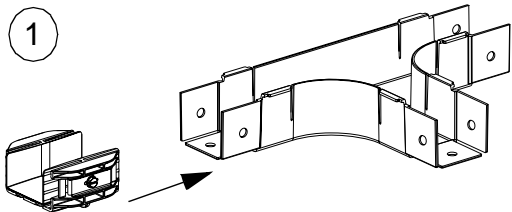
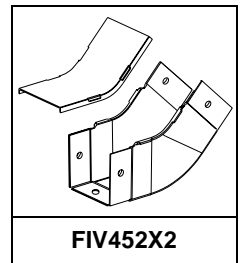
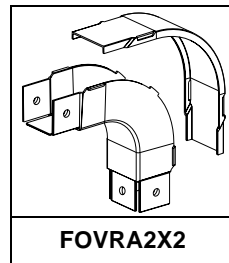
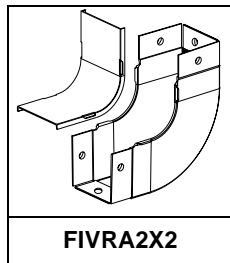
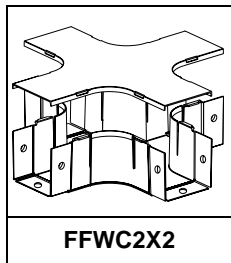
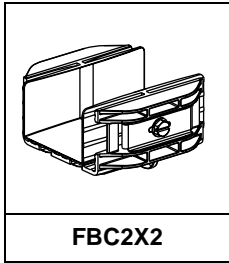
PANDUIT PART NUMBERS: FBC2X2, FFWC2X2, FIVRA2X2, FOVRA2X2, FIV452X2, FOV452X2, FRA2X2, FT2X2, FVTHD2X2, FHDEC2X2, HS2X2, H2X2, HC2

FOR USE WITH  
**TYPE H2X2 AND  
HS2X2 CHANNEL**

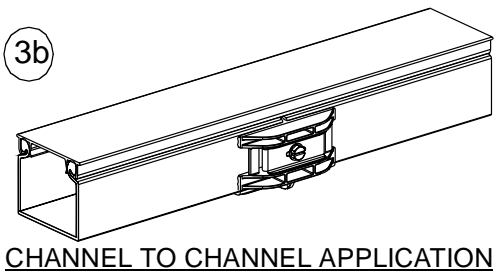
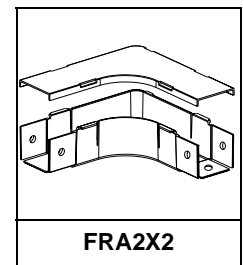
## INSTALLATION INSTRUCTIONS

Panduit Corp. 2002

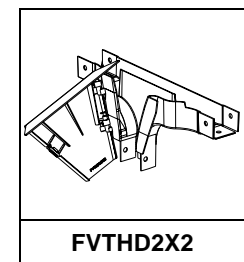
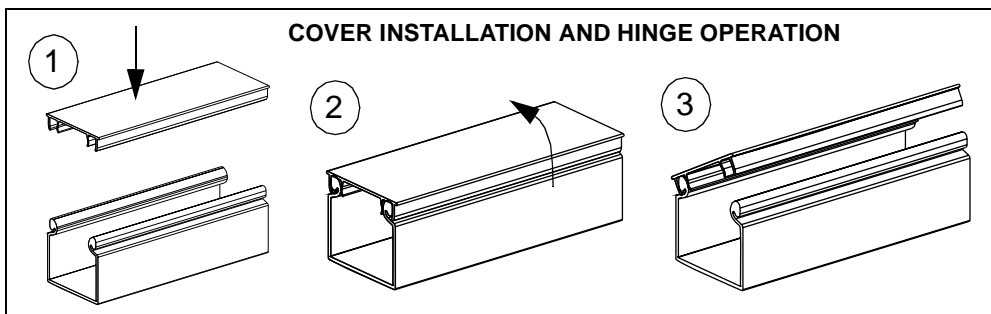
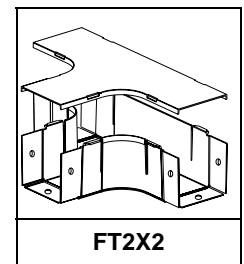
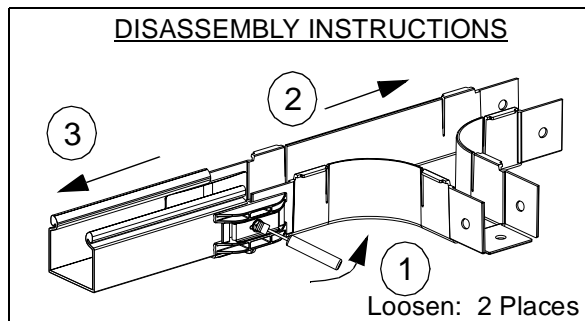
Printed in U.S.A.

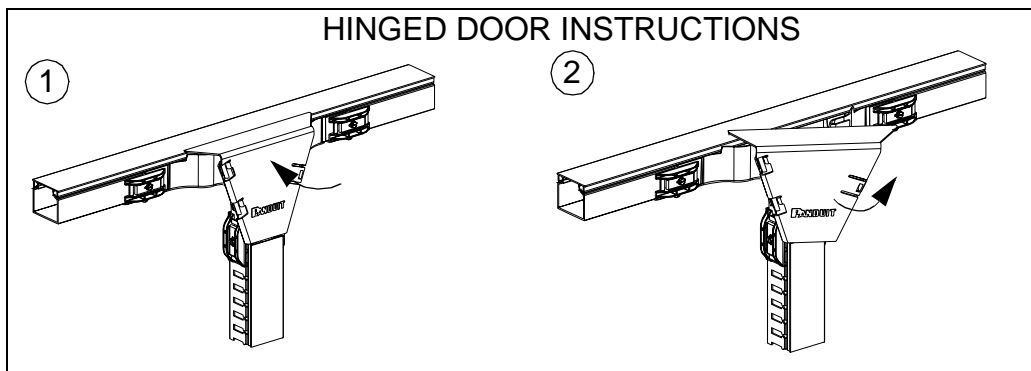
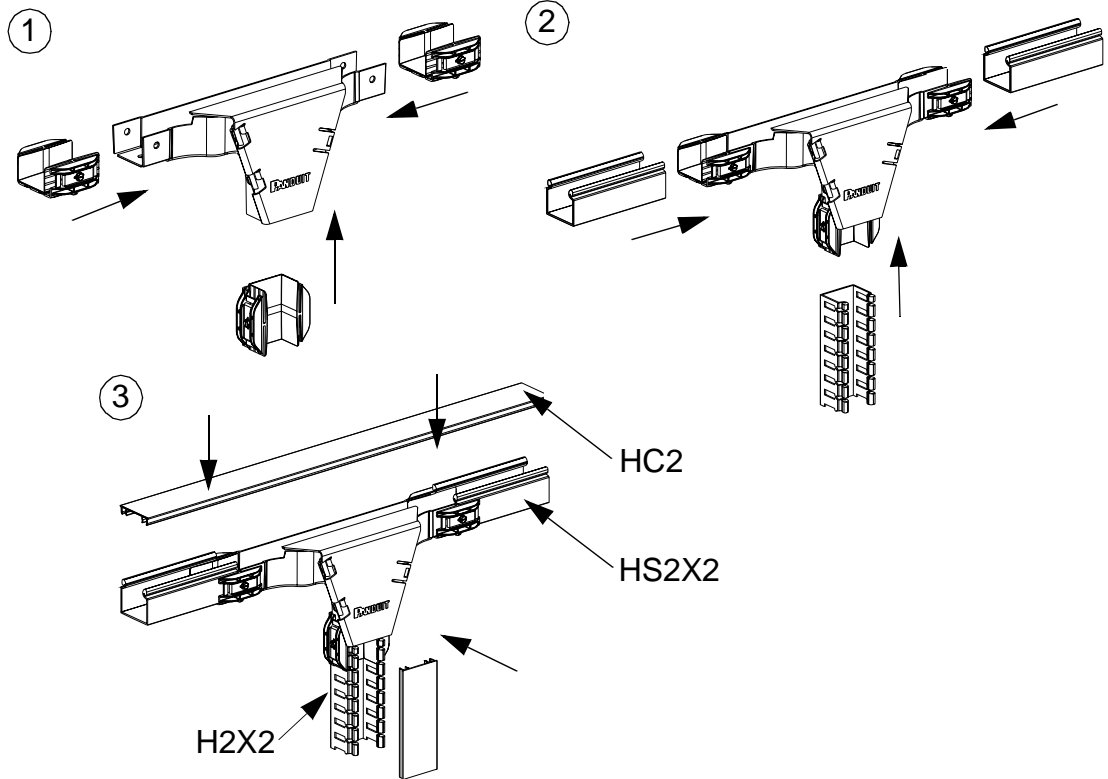
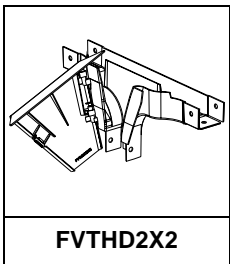
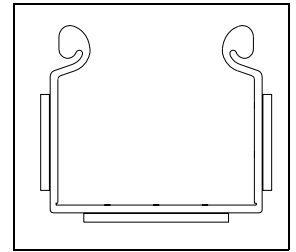
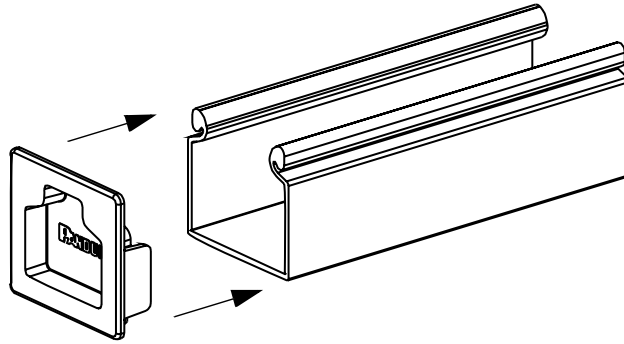
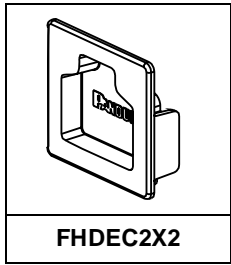


**FITTING TO FITTING APPLICATION**



**CHANNEL TO CHANNEL APPLICATION**





Instruction Sheet RW122

**WORLDWIDE SUBSIDIARIES AND SALES OFFICES**

17301 Ridgeland Avenue  
 Tinley Park, IL.60477-3091  
 Web Site: [www.panduit.com/ngc](http://www.panduit.com/ngc)



Fax: 866-449-1702  
 Technical Support: 866-405-6656  
 Email: [netconnsupport@panduit.com](mailto:netconnsupport@panduit.com)