



Product designation Power contactor  
Product type designation B310

**Contact characteristics**

Number of poles	Nr.	3
Rated insulation voltage $U_i$ IEC/EN	V	1000
Rated impulse withstand voltage $U_{imp}$	kV	8
Operational frequency	min	Hz 25
	max	Hz 400
IEC Conventional free air thermal current $I_{th}$	A	450
Operational current $I_e$	AC-1 ( $\leq 40^\circ\text{C}$ )	A 450
	AC-1 ( $\leq 55^\circ\text{C}$ )	A 370
	AC-1 ( $\leq 70^\circ\text{C}$ )	A 300
	AC-3 ( $\leq 440\text{V} \leq 55^\circ\text{C}$ )	A 320
	AC-4 (400V)	A 150
Rated operational power AC-3 ( $T \leq 55^\circ\text{C}$ )	230V	kW 100
	400V	kW 170
	415V	kW 188
	440V	kW 200
	500V	kW 213
	690V	kW 256
	1000V	kW 180
Rated operational power AC-1 ( $T \leq 40^\circ\text{C}$ )	230V	kW 158
	400V	kW 270
	500V	kW 350
	690V	kW 488
IEC max current $I_e$ in DC1 with $L/R \leq 1\text{ms}$ with 1 poles in series	75V	A 375
	110V	A 195
	220V	A --
	330V	A --
	460V	A --
IEC max current $I_e$ in DC1 with $L/R \leq 1\text{ms}$ with 2 poles in series	75V	A 375
	110V	A 350
	220V	A 300
	330V	A --
	460V	A --
IEC max current $I_e$ in DC1 with $L/R \leq 1\text{ms}$ with 3 poles in series	75V	A 375
	110V	A 350
	220V	A 350

	330V	A	300
	460V	A	--
IEC max current Ie in DC1 with L/R ≤ 1ms with 4 poles in series			
	75V	A	375
	110V	A	350
	220V	A	350
	330V	A	350
	460V	A	300
IEC max current Ie in DC3-DC5 with L/R ≤ 15ms with 1 poles in series			
	75V	A	310
	110V	A	170
	220V	A	--
	330V	A	--
	460V	A	--
IEC max current Ie in DC3-DC5 with L/R ≤ 15ms with 2 poles in series			
	75V	A	310
	110V	A	290
	220V	A	230
	330V	A	--
	460V	A	--
IEC max current Ie in DC3-DC5 with L/R ≤ 15ms with 3 poles in series			
	75V	A	310
	110V	A	310
	220V	A	290
	330V	A	230
	460V	A	--
IEC max current Ie in DC3-DC5 with L/R ≤ 15ms with 4 poles in series			
	75V	A	310
	110V	A	310
	220V	A	310
	330V	A	230
	460V	A	230
Short-time allowable current for 10s (IEC/EN60947-1)		A	2900
Protection fuse			
	gG (IEC)	A	500
	aM (IEC)	A	400
Making capacity (RMS value)		A	3150
Breaking capacity at voltage			
	440V	A	3000
	500V	A	2700
	690V	A	2520
Resistance per pole (average value)		mΩ	0.2
Power dissipation per pole (average value)			
	Ith	W	40.5
	AC-3	W	20
Tightening torque for terminals			
	min	Nm	35
	max	Nm	35
	min	Ibin	25.8
	max	Ibin	25.8
Tightening torque for coil terminal			
	min	Nm	1
	max	Nm	1

	min	I <sub>bin</sub>	0.74
	max	I <sub>bin</sub>	0.74
Max number of wires simultaneously connectable		Nr.	2
Conductor section			
		AWG/Kcmil	
	max		2x 3/0
Power terminal protection according to IEC/EN 60529			IP00
<b>Mechanical features</b>			
Operating position		normal allowable	Vertical plan ±30°
Fixing			Screw
Weight		g	9690
Conductor section			
		AWG/kcmil conductor section	
	max		2x 3/0
<b>Operations</b>			
Mechanical life		cycles	10000000
Electrical life		cycles	700000
<b>Safety related data</b>			
Performance level B10d according to EN/ISO 13489-1		rated load mechanical load	cycles 700000 cycles 10000000
Mirror contacts according to IEC/EN 609474-4-1			yes
EMC compatibility			yes
<b>AC coil operating</b>			
Rated AC voltage at 50/60Hz		V	24
AC operating voltage			
		of 50/60Hz coil powered at 50Hz	
		pick-up	
	min	%U <sub>s</sub>	80
	max	%U <sub>s</sub>	110
		drop-out	
	min	%U <sub>s</sub>	20
	max	%U <sub>s</sub>	60
		of 50/60Hz coil powered at 60Hz	
		pick-up	
	min	%U <sub>s</sub>	80
	max	%U <sub>s</sub>	110
		drop-out	
	min	%U <sub>s</sub>	20
	max	%U <sub>s</sub>	60
		of 60Hz coil powered at 60Hz	
		pick-up	
	min	%U <sub>s</sub>	80
	max	%U <sub>s</sub>	110
		drop-out	
	min	%U <sub>s</sub>	20
	max	%U <sub>s</sub>	60
AC average coil consumption at 20°C			
		of 50/60Hz coil powered at 50Hz	
	in-rush	VA	300
	holding	VA	10

of 50/60Hz coil powered at 60Hz

	in-rush	VA	300
	holding	VA	10
Dissipation at holding ≤20°C 50Hz		W	10
<b>DC coil operating</b>			
DC rated control voltage		V	24
<b>DC operating voltage</b>			
pick-up	min	%Us	80
	max	%Us	110
drop-out	min	%Us	20
	max	%Us	60

Average coil consumption ≤20°C

in-rush	W	300
holding	W	10

**Max cycles frequency**

Mechanical operation cycles/h 2400

**Operating times**

Average time for Us control

in AC

Closing NO

min	ms	80
max	ms	120

Opening NO

min	ms	30
max	ms	75

in DC

Closing NO

min	ms	80
max	ms	120

Opening NO

min	ms	30
max	ms	75

**UL technical data**

Full-load current (FLA) for three-phase AC motor

at 480V	A	301
at 600V	A	289

Yielded mechanical performance

for three-phase AC motor

200/208V	HP	100
220/230V	HP	125
460/480V	HP	250
575/600V	HP	300

General USE

Contactor

AC current	A	450
------------	---	-----

Short-circuit protection fuse, 600V

Standard fault

Short circuit current	kA	18
Fuse rating	A	800
Fuse class		L

**Ambient conditions**

Temperature

Operating temperature

min	°C	-50
max	°C	70

Storage temperature

min	°C	-60
max	°C	80

Max altitude

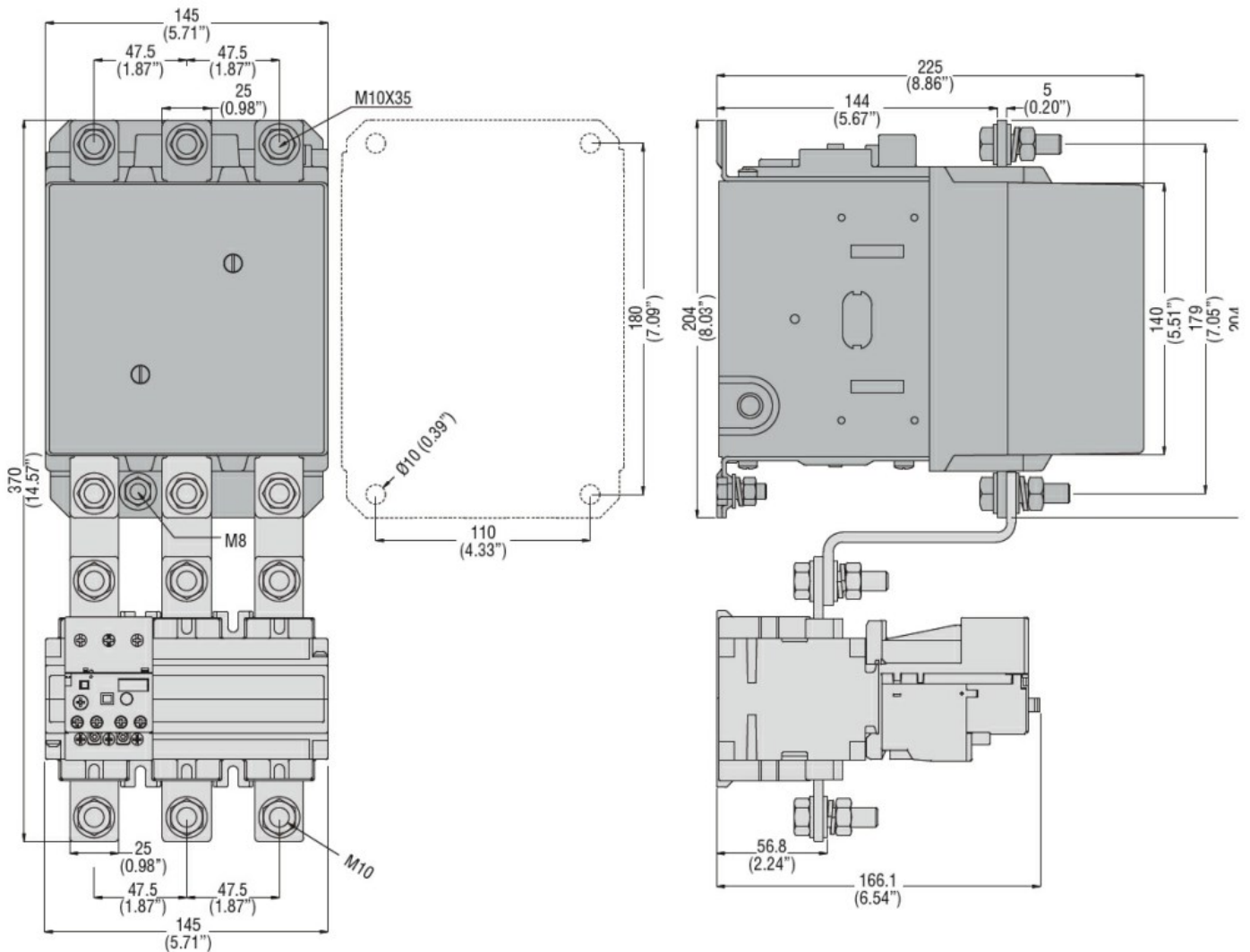
m	3000
---	------

**Resistance & Protection**

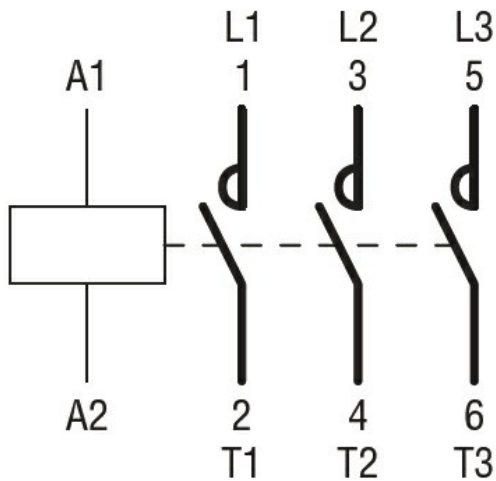
Pollution degree

3

**Dimensions**



**Wiring diagrams**



**Certifications and compliance**

Compliance

CSA C22.2 n° 60947-1

CSA C22.2 n° 60947-4-1

IEC/EN 60947-1

IEC/EN 60947-4-1

UL 60947-1

UL 60947-4-1

Certificates

CCC

cULus

EAC

**ETIM classification**

ETIM 8.0

EC000066 -  
 Power contactor,  
 AC switching